



# T&S BRASS AND BRONZE WORKS, INC.

2 Saddleback Cove / P.O. Box 1088  
Travelers Rest, SC 29690

Model No.

**B-0850**

Item No.

Travelers Rest, SC: 800-476-4103 • Simi Valley, CA: 800-423-0150 • Fax: 864-834-3518 • www.tsbrass.com



**ADA Compliant**

This Space for Architect/Engineer Approval

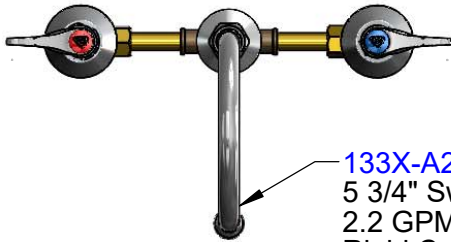
Job Name \_\_\_\_\_ Date \_\_\_\_\_

Model Specified \_\_\_\_\_ Quantity \_\_\_\_\_

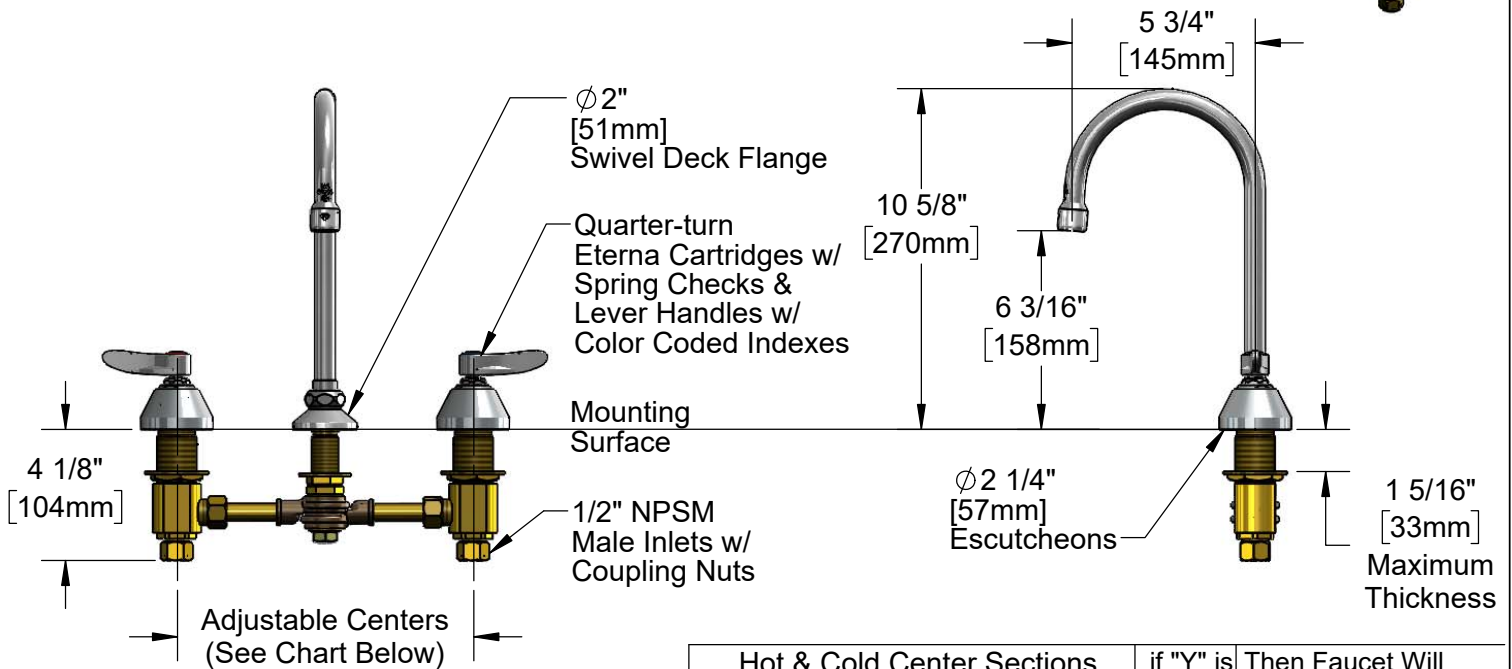
Customer/Wholesaler \_\_\_\_\_

Contractor \_\_\_\_\_

Architect/Engineer \_\_\_\_\_



**133X-A22**  
5 3/4" Swivel Gooseneck w/  
2.2 GPM Aerator.  
Rigid Conversion Requires  
**014200-45** Lock Washer  
(Included)



**Rough-In Requirement:**  
Center Shank:  $\phi$  1" [25mm] Mounting Hole  
Hot/Cold Side:  $\phi$  1 1/2" [38mm] Mounting Holes

Hot & Cold Center Sections Can be at Angle		if "Y" is	Then Faucet Will Fit "X" with Standard 1/4" NPT Cross Pipes Furnished
		1/2"	8"
		1"	7 3/4"
		1 1/2"	7 3/8"
		2"	7"

**Product Specifications:**  
8" Adjustable Centers Deck Mount Mixing Faucet, Quarter-Turn Eterna Cartridges w/ Spring Checks, Lever Handles, 5 3/4" Rigid/Swivel Gooseneck, 2.2 GPM Aerator & 1/2" NPSM Male Inlets

**Product Compliance:**  
ASME A112.18.1 / CSA B125.1  
NSF 61 - Section 9  
NSF 372 (Low Lead Content)  
ANSI A117.1 (ADA)



# T&S BRASS AND BRONZE WORKS, INC.

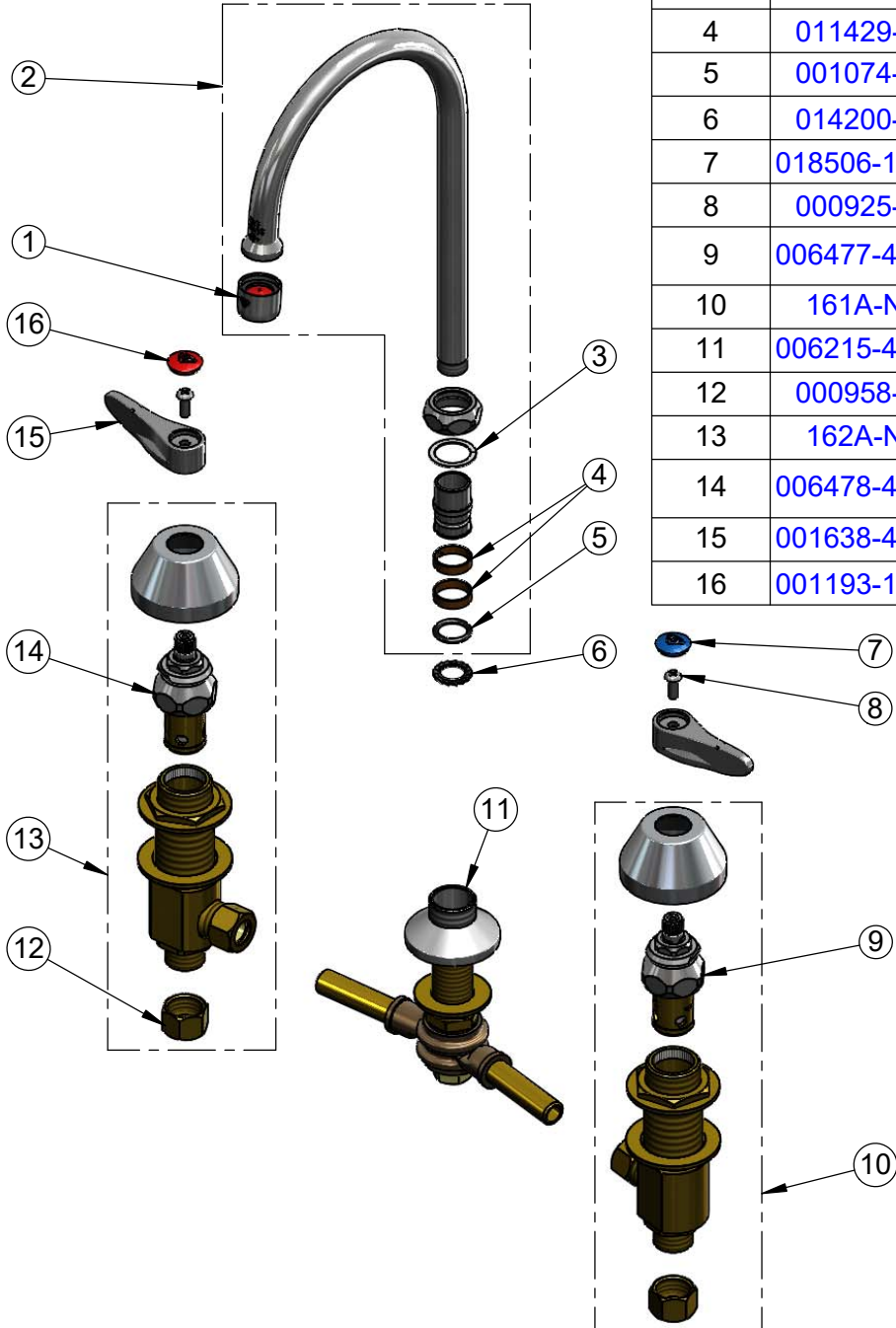
2 Saddleback Cove / P.O. Box 1088  
Travelers Rest, SC 29690

Model No.

**B-0850**

Item No.

Travelers Rest, SC: 800-476-4103 • Simi Valley, CA: 800-423-0150 • Fax: 864-834-3518 • www.tsbrass.com



ITEM NO.	SALES NO.	DESCRIPTION
1	B-0199-01	2.2 GPM Aerator, 55/64-27 UN Female
2	133X-A22	5 3/4" Swivel Gooseneck w/ 2.2 GPM Aerator
3	009538-45	Swivel Washer
4	011429-45	Swivel Sleeves (2)
5	001074-45	O-Ring
6	014200-45	Star Washer, Anti-Rotation
7	018506-19NS	Blue Button Index, Press-in
8	000925-45	Lab Handle Screw
9	006477-40NS	CWS Quarter-Turn Eterna Cartridge w/ Spring Check, LTC
10	161A-NS	B-0850 Side Body - Cold
11	006215-40NS	8" Swivel Yoke w/ Swivel Flange Outlet
12	000958-20	Coupling Nut
13	162A-NS	B-0850 Side Body - Hot
14	006478-40NS	CWS Quarter-Turn Eterna Cartridge w/ Spring Check, RTC
15	001638-45NS	Lever Handle (New Style)
16	001193-19NS	Red Button Index, Press-in

**Product Specifications:**

8" Adjustable Centers Deck Mount Mixing Faucet, Quarter-Turn Eterna Cartridges w/ Spring Checks, Lever Handles, 5 3/4" Rigid/Swivel Gooseneck, 2.2 GPM Aerator & 1/2" NPSM Male Inlets

**Product Compliance:**

ASME A112.18.1 / CSA B125.1  
NSF 61 - Section 9  
NSF 372 (Low Lead Content)  
ANSI A117.1 (ADA)