

T&S BRASS AND BRONZE WORKS, INC.
 2 Saddleback Cove / P.O. Box 1088
 Travelers Rest, SC 29690

Model No.
B-0929-A

Item No.

Travelers Rest, SC: 800-476-4103 • Simi Valley, CA: 800-423-0150 • Fax: 864-834-3518 • www.tsbrass.com

This Space for Architect/Engineer Approval

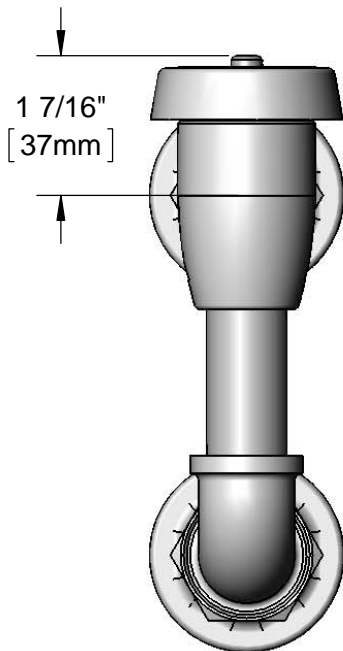
Job Name _____ Date _____

Model Specified _____ Quantity _____

Customer/Wholesaler _____

Contractor _____

Architect/Engineer _____



B-0969
 1/2" NPT
 Vacuum
 Breaker

Mounting Surface →

3 5/8"
 [92mm]

Ø 2" [51mm]
 Flange w/
 1/2" NPT
 Female Outlet

3 3/4"
 [95mm]

Ø 2" [51mm]
 Flange w/
 1/2" NPT
 Female Inlet

Product Specifications:
 1/2" NPT Atmospheric Vacuum Breaker, 1/2" NPT Inlet & Outlet,
 Polished Chrome

Product Compliance:
 ASME A112.18.1 / CSA B125.1
 NSF 61 - Section 9
 NSF 372 (Low Lead Content)
 ASSE 1001 (VB)



T&S BRASS AND BRONZE WORKS, INC.

2 Saddleback Cove / P.O. Box 1088
Travelers Rest, SC 29690

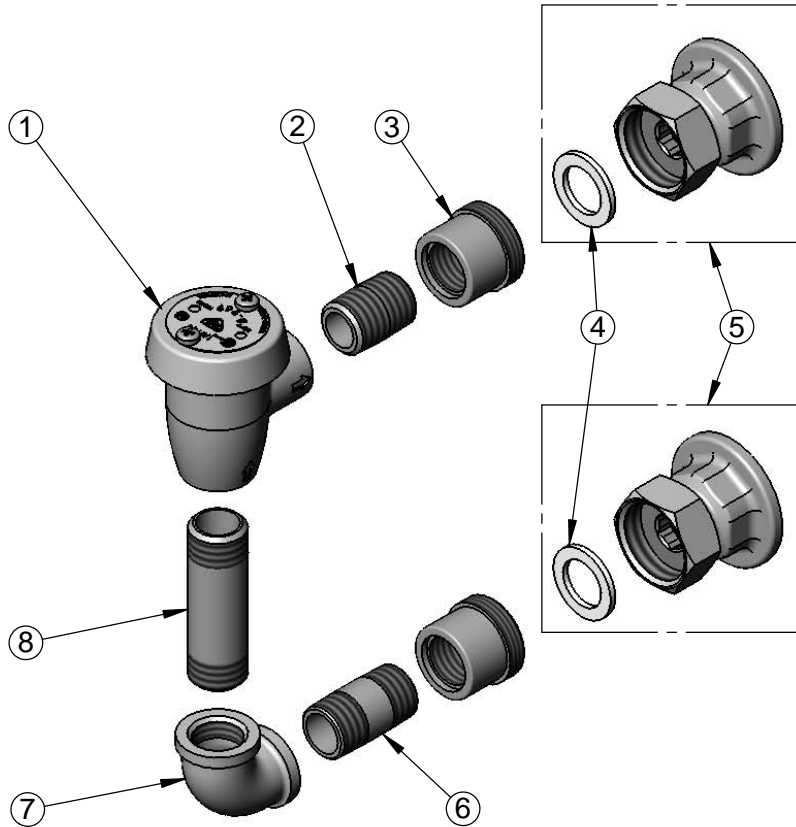
Model No.

B-0929-A

Item No.

Travelers Rest, SC: 800-476-4103 • Simi Valley, CA: 800-423-0150 • Fax: 864-834-3518 • www.tsbrass.com

ITEM NO.	SALES NO.	DESCRIPTION
1	B-0969	1/2" NPT Vacuum Breaker
2	002534-25	Close Nipple, 1/2" NPT
3	000870-40	Union, Male Half
4	001019-45	Coupling Nut Washer
5	00AA	1/2" NPT Eccentric Female Flange
6	001509-40	Nipple, 1/2" NPT x 1 1/2"
7	001357-40	1/2" NPT Elbow
8	001510-40	Nipple, 1/2" NPT x 2 5/8"



Product Specifications:
1/2" NPT Atmospheric Vacuum Breaker, 1/2" NPT Inlet & Outlet,
Polished Chrome

Product Compliance:
ASME A112.18.1 / CSA B125.1
NSF 61 - Section 9
NSF 372 (Low Lead Content)
ASSE 1001 (VB)