

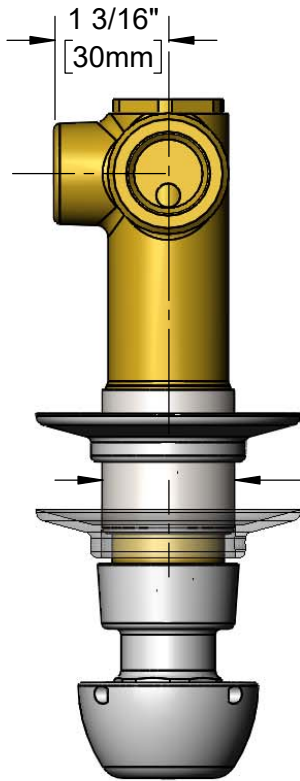


**T&S BRASS AND BRONZE WORKS, INC.**  
 2 Saddleback Cove / P.O. Box 1088  
 Travelers Rest, SC 29690

Model No.  
**B-1029-PA**

Item No.

Travelers Rest, SC: 800-476-4103 • Simi Valley, CA: 800-423-0150 • Fax: 864-834-3518 • www.tsbrass.com



**ADA Compliant**

This Space for Architect/Engineer Approval

Job Name \_\_\_\_\_ Date \_\_\_\_\_

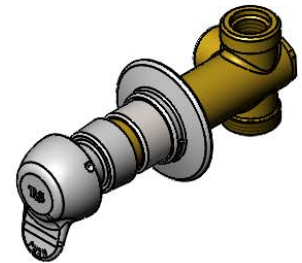
Model Specified \_\_\_\_\_ Quantity \_\_\_\_\_

Customer/Wholesaler \_\_\_\_\_

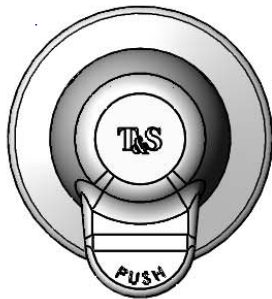
Contractor \_\_\_\_\_

Architect/Engineer \_\_\_\_\_

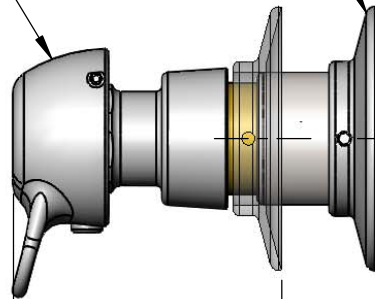
Ø 1 3/8"  
 [35mm]



Adjustable Flow,  
 Vandal Resistant  
 Pivot Action Handle  
 Metering Cartridge



Ø 2 3/16 [56mm]  
 Adjustable Flange  
 w/ Set Screw



1/2" NPT  
 Female Outlet

1 1/4"  
 [32mm]

2 1/2"  
 [64mm]

2 1/2"  
 [64mm]

Minimum  
 3 1/2"  
 [89mm]  
 Maximum

1/2" NPT Female Inlet  
 Threads w/ Male 1 1/4-14  
 Thread for T&S Union  
 Coupling Nut

6 5/16"  
 [160mm]

Rough-In Requirement: Ø 1 1/2" Mounting Hole

Product Specifications:  
 Concealed Straight Slow Self-Closing Valve w/ Adjustable Timed  
 Flow, Vandal Resistant Design & Blank Pivot Action Handle

Product Compliance:  
 ASME A112.18.1 / CSA B125.1  
 NSF 61 - Section 9  
 NSF 372 (Low Lead Content)  
 ANSI A117.1 (ADA)



# T&S BRASS AND BRONZE WORKS, INC.

2 Saddleback Cove / P.O. Box 1088  
Travelers Rest, SC 29690

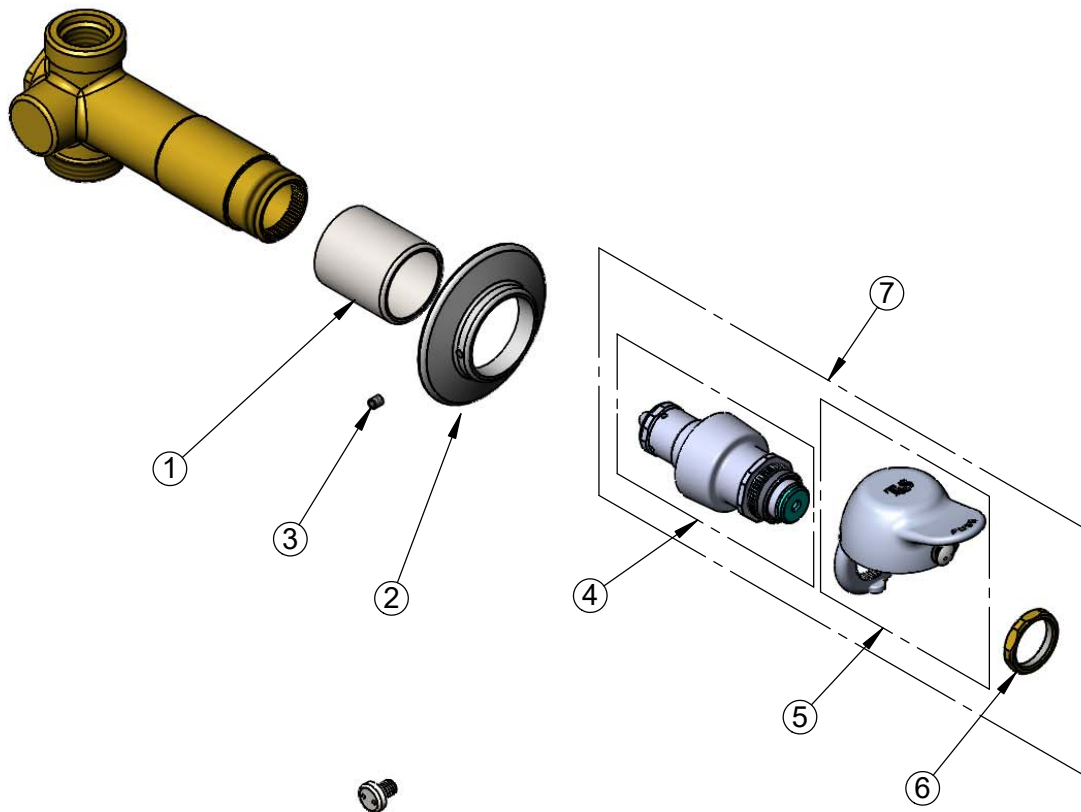
Model No.

**B-1029-PA**

Item No.

Travelers Rest, SC: 800-476-4103 • Simi Valley, CA: 800-423-0150 • Fax: 864-834-3518 • www.tsbrass.com

ITEM NO.	SALES NO.	DESCRIPTION
1	151F	Escutcheon Tube
2	001501-40	Escutcheon
3	150F	8-32 UN Set Screw
4	238A-PA	Pivot Action Metering Cartridge w/ Retaining Nut
5	PA-B	Blank Pivot Action Handle Assembly w/ Retaining Nut and Spanner Bit
6	PA-N	Retaining Nut
7	238AB-PA	Pivot Action Metering Cartridge w/ Blank Pivot Action Handle, Retaining Nut and Spanner Bit



Spanner Bit for  
Vandal Resistant Screw  
**014734-45**

Pivot Action Handle  
Vandal Resistant Screw  
**016654-45**

Product Specifications:  
Concealed Straight Slow Self-Closing Valve w/ Adjustable Timed Flow, Vandal Resistant Design & Blank Pivot Action Handle

Product Compliance:  
ASME A112.18.1 / CSA B125.1  
NSF 61 - Section 9  
NSF 372 (Low Lead Content)  
ANSI A117.1 (ADA)