



# T&S BRASS AND BRONZE WORKS, INC.

2 Saddleback Cove / P.O. Box 1088  
Travelers Rest, SC 29690

Model No.

**B-1123-CR**

Item No.

Travelers Rest, SC: 800-476-4103 • Simi Valley, CA: 800-423-0150 • Fax: 864-834-3518 • www.tsbrass.com



**ADA Compliant**

This Space for Architect/Engineer Approval

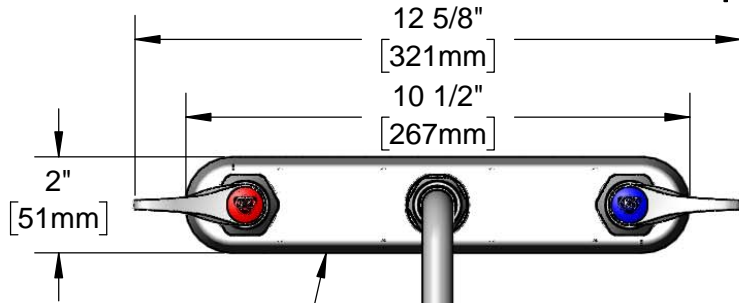
Job Name \_\_\_\_\_ Date \_\_\_\_\_

Model Specified \_\_\_\_\_ Quantity \_\_\_\_\_

Customer/Wholesaler \_\_\_\_\_

Contractor \_\_\_\_\_

Architect/Engineer \_\_\_\_\_



Polished Chrome  
Plated Escutcheon

**062X-A22**  
12" Swing Nozzle w/  
2.2 GPM Aerator

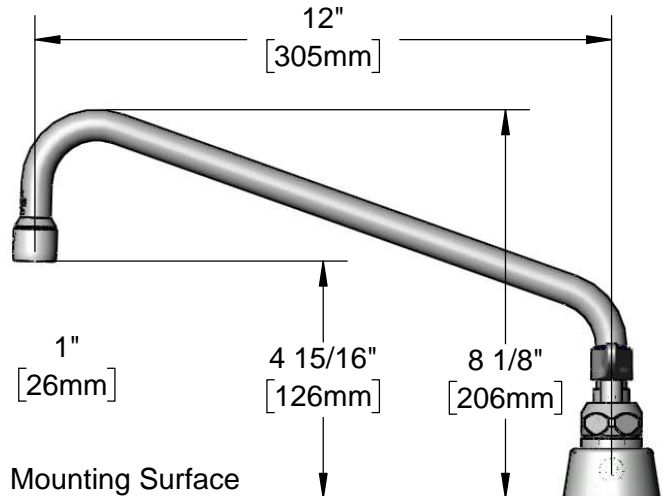
Quarter-Turn Cerama  
Cartridges w/ Check  
Valves & Lever Handles  
w/ Color Coded Indexes

Swivel Joint  
Converts to Rigid  
w/ **014200-45**  
Lock Washer  
(Included)

3 1/4"  
[82mm]

1/4"  
[6mm]  
Maximum  
Thickness

8"  
[203mm]



Mounting Surface

1"  
[26mm]

4 15/16"  
[126mm]

8 1/8"  
[206mm]

1"  
[25mm]  
1/2" NPT  
Male Inlets

(2) **150A**  
Optional Tailpieces &  
Nuts For 1/4" NPT  
Connection (Included)

Rough-In Requirement:  
(2)  $\varnothing$  1" [25mm] Mounting Holes

**Product Specifications:**

8" Deck Mount Workboard Faucet, Quarter-Turn Cerama Cartridges w/ Check Valves, Lever Handles, 12" Swing Nozzle, 2.2 GPM Aerator & 1/2" NPT Male Inlets

**Product Compliance:**

ASME A112.18.1 / CSA B125.1  
NSF 61 - Section 9  
NSF 372 (Low Lead Content)  
ANSI A117.1 (ADA)

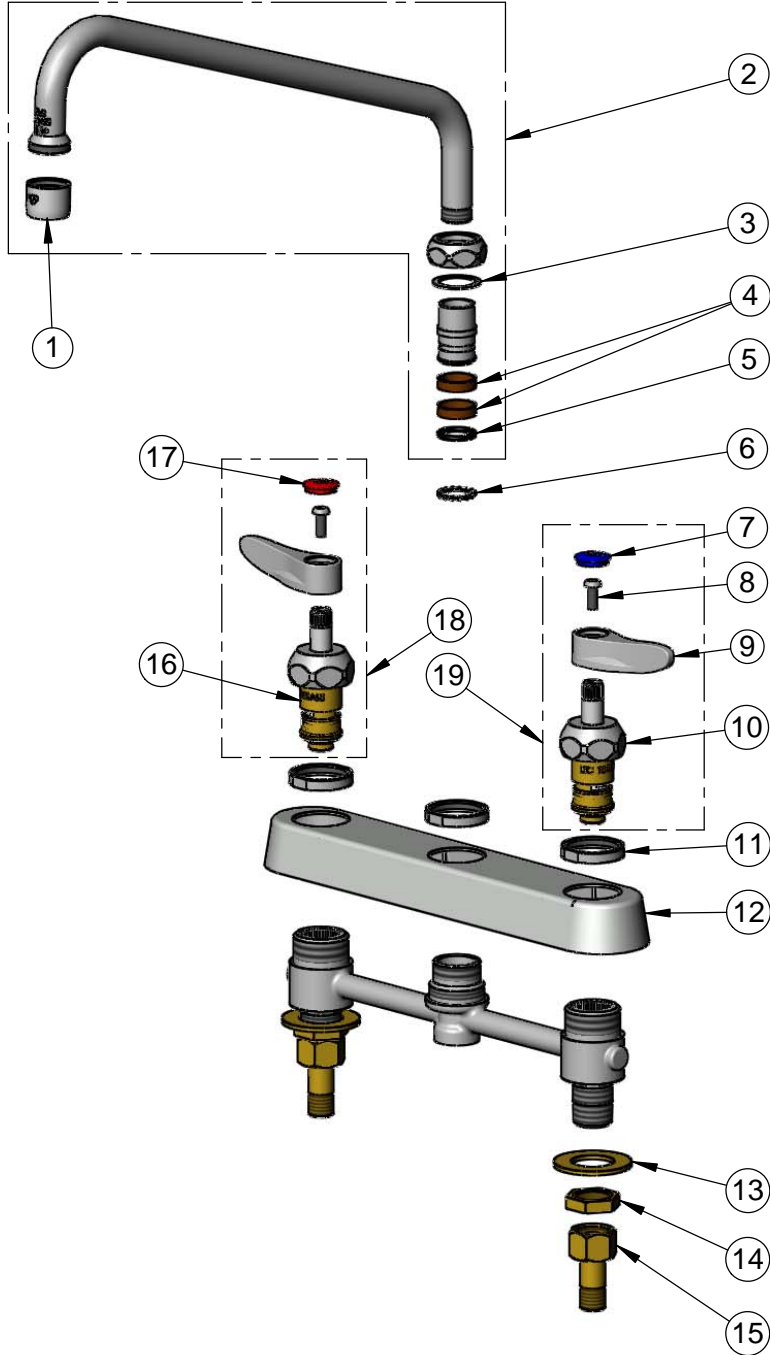


**T&S BRASS AND BRONZE WORKS, INC.**  
 2 Saddleback Cove / P.O. Box 1088  
 Travelers Rest, SC 29690

Model No.  
**B-1123-CR**

Item No.

Travelers Rest, SC: 800-476-4103 • Simi Valley, CA: 800-423-0150 • Fax: 864-834-3518 • www.tsbrass.com



| ITEM NO. | SALES NO.   | DESCRIPTION   |
|----------|-------------|---|
| 1        | B-0199-01   | 2.2 GPM Aerator, 55/64"-27 UN Female  |
| 2        | 062X-A22    | 12" Swing Nozzle w/ 2.2 GPM Aerator   |
| 3        | 009538-45   | Swivel Washer   |
| 4        | 011429-45   | Swivel Sleeves (2)  |
| 5        | 001074-45   | O-Ring  |
| 6        | 014200-45   | Star Washer, Anti-Rotation  |
| 7        | 018506-19NS | Blue Button Index, Press-in   |
| 8        | 000925-45   | Lab Handle Screw  |
| 9        | 001638-45NS | Lever Handle (New Style)  |
| 10       | 012395-25NS | Quarter-Turn New Style Cerama Cartridge w/ Check Valve, LTC                   |
| 11       | 019376-40   | Escutcheon Lock Nut   |
| 12       | 019375-40   | B-1120 Eterna Workboard Escutcheon  |
| 13       | 000999-45   | Brass Lock Washer   |
| 14       | 002954-45   | Shank Lock Nut  |
| 15       | 150A        | 1/4" NPT Tailpiece & Nut  |
| 16       | 012394-25NS | Quarter-Turn New Style Cerama Cartridge w/ Check Valve, RTC                   |
| 17       | 001193-19NS | Red Button Index, Press-in  |
| 18       | 012446-25NS | Quarter-Turn Cerama Cartridge w/ Check Valve, Handle, Red Index & Screw, RTC  |
| 19       | 012447-25NS | Quarter-Turn Cerama Cartridge w/ Check Valve, Handle, Blue Index & Screw, LTC |

**Product Specifications:**  
 8" Deck Mount Workboard Faucet, Quarter-Turn Cerama Cartridges w/ Check Valves, Lever Handles, 12" Swing Nozzle, 2.2 GPM Aerator & 1/2" NPT Male Inlets

**Product Compliance:**  
 ASME A112.18.1 / CSA B125.1  
 NSF 61 - Section 9  
 NSF 372 (Low Lead Content)  
 ANSI A117.1 (ADA)