



T&S BRASS AND BRONZE WORKS, INC.
 2 Saddleback Cove / P.O. Box 1088
 Travelers Rest, SC 29690

Model No.
B-1142-VF05

Item No.

Travelers Rest, SC: 800-476-4103 • Simi Valley, CA: 800-423-0150 • Fax: 864-834-3518 • www.tsbrass.com



ADA Compliant

This Space for Architect/Engineer Approval

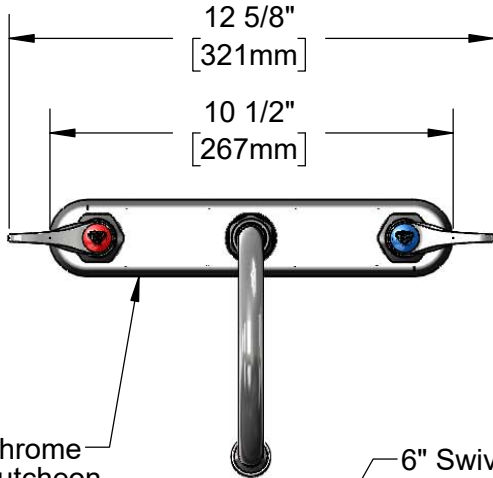
Job Name _____ Date _____

Model Specified _____ Quantity _____

Customer/Wholesaler _____

Contractor _____

Architect/Engineer _____



Polished Chrome Plated Escutcheon

6" Swivel Gooseneck w/
B-0199-06-N05
 0.5 GPM
 Vandal Resistant
 Non-Aerated Spray
 Device

Swivel Joint
 Converts to Rigid w/
014200-45
 Lock Washer
 (Included)

Quarter-Turn Eterna
 Cartridges w/ Spring Checks
 & Lever Handles w/
 Color Coded Indexes

3 5/16"
 [84mm]

1"
 [25mm]

8"
 [203mm]

1"
 [26mm]

Mounting
 Surface

6 7/8"
 [175mm]

5 3/4"
 [146mm]

11 3/8"
 [289mm]

(2) **150A**
 Optional Tailpieces &
 Nuts for 1/4" NPT
 Connection (Included)

1/4"
 [6mm]
 Maximum
 Thickness

Rough-In Requirement:
 (2) \varnothing 1" [25mm] Mounting Holes

Product Specifications:
 8" Deck Mount Workboard Faucet, Quarter-Turn Eterna Cartridges w/ Spring Checks, Lever Handles, 6" Swivel Gooseneck, 0.5 GPM Vandal Resistant Non-Aerated Spray Device & 1/2" NPT Male Inlets

Product Compliance:
 ASME A112.18.1 / CSA B125.1
 NSF 61- Section 9
 NSF 372 (Low Lead Content)
 ANSI A117.1 (ADA)



T&S BRASS AND BRONZE WORKS, INC.

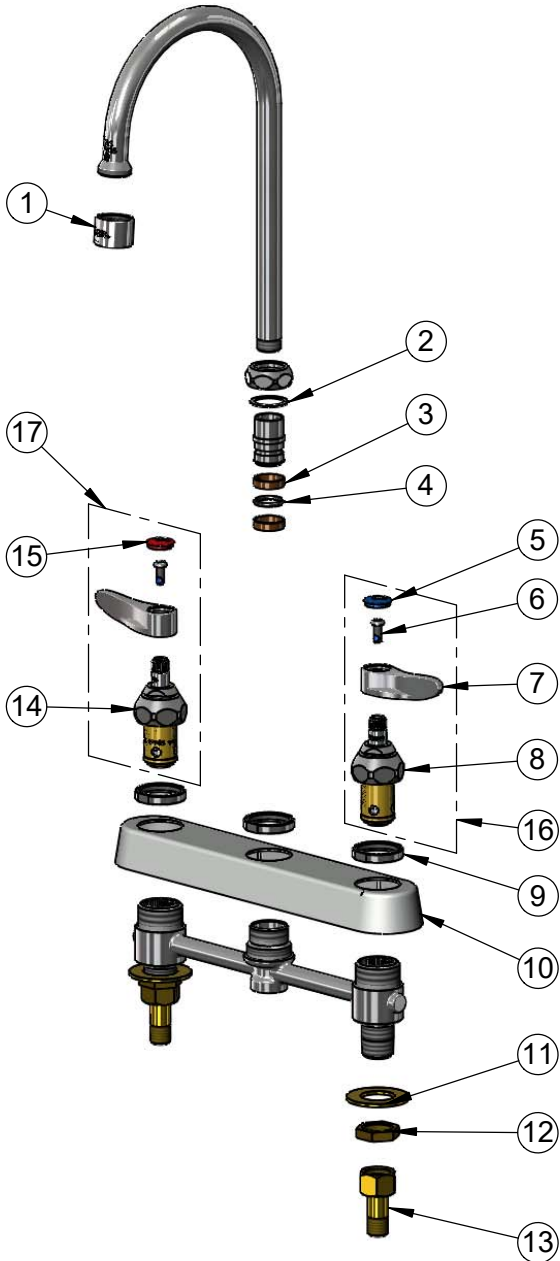
2 Saddleback Cove / P.O. Box 1088
Travelers Rest, SC 29690

Model No.

B-1142-VF05

Item No.

Travelers Rest, SC: 800-476-4103 • Simi Valley, CA: 800-423-0150 • Fax: 864-834-3518 • www.tsbrass.com



ITEM NO.	SALES NO.	DESCRIPTION
1	B-0199-06-N05	0.5 GPM VR Non-Aerated Spray Device, 55/64-27 Female
2	009538-45	Swivel Washer
3	011429-45	Swivel Sleeves (2)
4	001074-45	O-Ring
5	018506-19NS	Blue Button Index, Press-in
6	000925-45	Lab Handle Screw
7	001638-45NS	Lever Handle (New Style)
8	012442-40NS	Quarter-Turn Eterna Cartridge w/ Spring Check, LTC
9	019376-40	Escutcheon Lock Nut
10	019375-40	B-1120 Eterna Workboard Escutcheon
11	000999-45	Brass Lock Washer
12	002954-45	Shank Lock Nut
13	150A	1/4" NPT Tailpiece
14	012443-40NS	Quarter-Turn Eterna Cartridge w/ Spring Check, RTC
15	001193-19NS	Red Button Index, Press-in
16	002711-40NS	Quarter-Turn Eterna Cartridge w/ Spring Check, Handle, Blue Index & Screw, LTC
17	002712-40NS	Quarter-Turn Eterna Cartridge w/ Spring Check, Handle, Red Index & Screw, RTC



015425-45
VR Aerator Key

Product Specifications:

8" Deck Mount Workboard Faucet, Quarter-Turn Eterna Cartridges w/ Spring Checks, Lever Handles, 6" Swivel Gooseneck, 0.5 GPM Vandal Resistant Non-Aerated Spray Device & 1/2" NPT Male Inlets

Product Compliance:

ASME A112.18.1 / CSA B125.1
NSF 61- Section 9
NSF 372 (Low Lead Content)
ANSI A117.1 (ADA)