



T&S BRASS AND BRONZE WORKS, INC.
 2 Saddleback Cove / P.O. Box 1088
 Travelers Rest, SC 29690

Model No.

B-1146-CR-KIT

Item No.

Travelers Rest, SC: 800-476-4103 • Simi Valley, CA: 800-423-0150 • Fax: 864-834-3518 • www.tsbrass.com



ADA Compliant

This Space for Architect/Engineer Approval

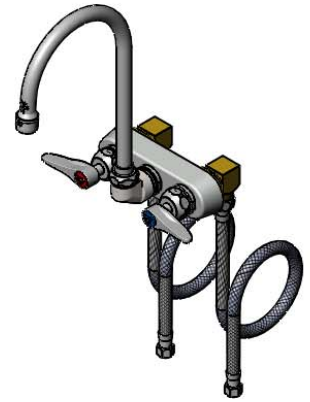
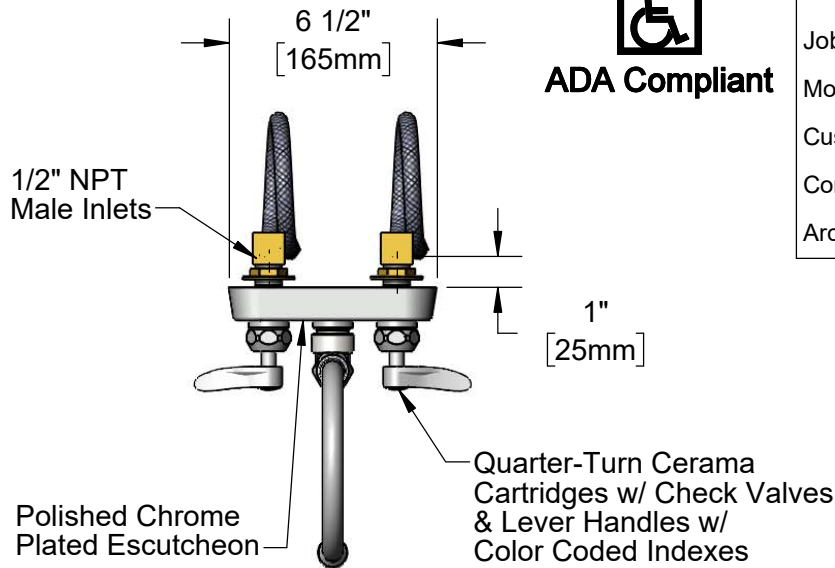
Job Name _____ Date _____

Model Specified _____ Quantity _____

Customer/Wholesaler _____

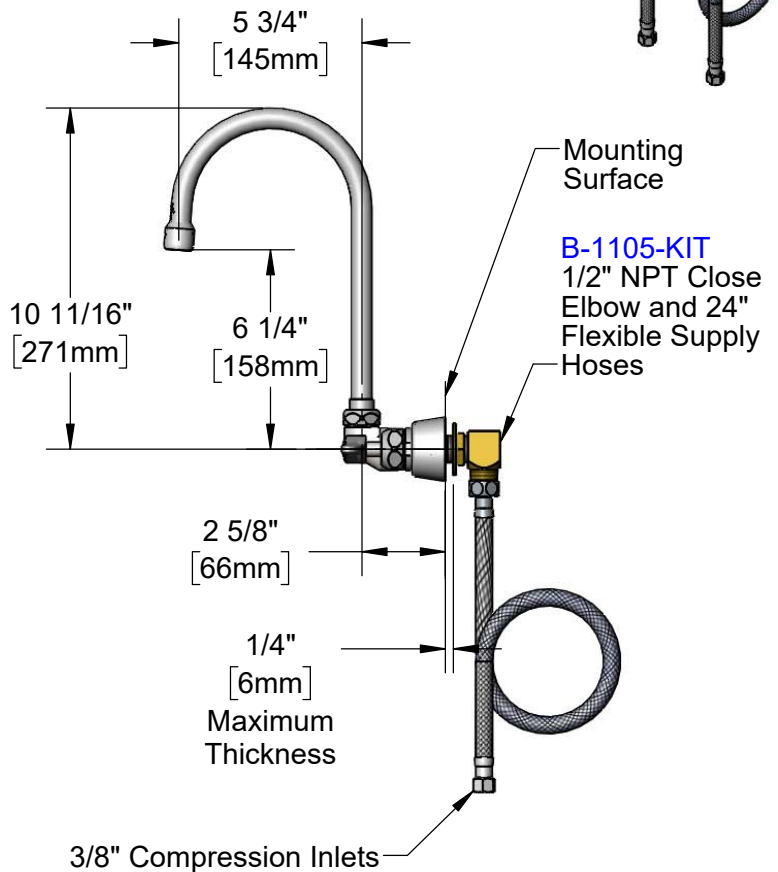
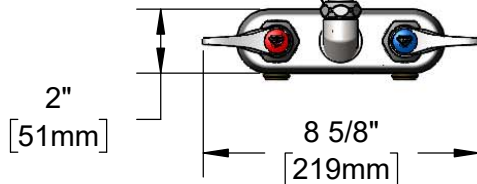
Contractor _____

Architect/Engineer _____



133X-A22
 5 3/4" Swivel Gooseneck w/ 2.2 GPM Aerator

Swivel Joint Converts to Rigid w/ **014200-45** Lock Washer (Included)



Rough-In Requirement:
 (2) \varnothing 1" [25mm] Mounting Holes

Product Specifications:

4" Wall Mount Workboard Faucet, Quarter-Turn Cerama Cartridges w/ Check Valves, Lever Handles, 5 3/4" Swivel Gooseneck, 2.2 GPM Aerator & 1/2" NPT Male Inlets, & 1/2" NPT Close Elbow and 24" Flexible Supply Hoses w/ 3/8" Compression Inlets

Product Compliance:

ASME A112.18.1 / CSA B125.1
 NSF 61 - Section 9
 NSF 372 (Low Lead Content)
 ANSI A117.1 (ADA)



T&S BRASS AND BRONZE WORKS, INC.

2 Saddleback Cove / P.O. Box 1088
Travelers Rest, SC 29690

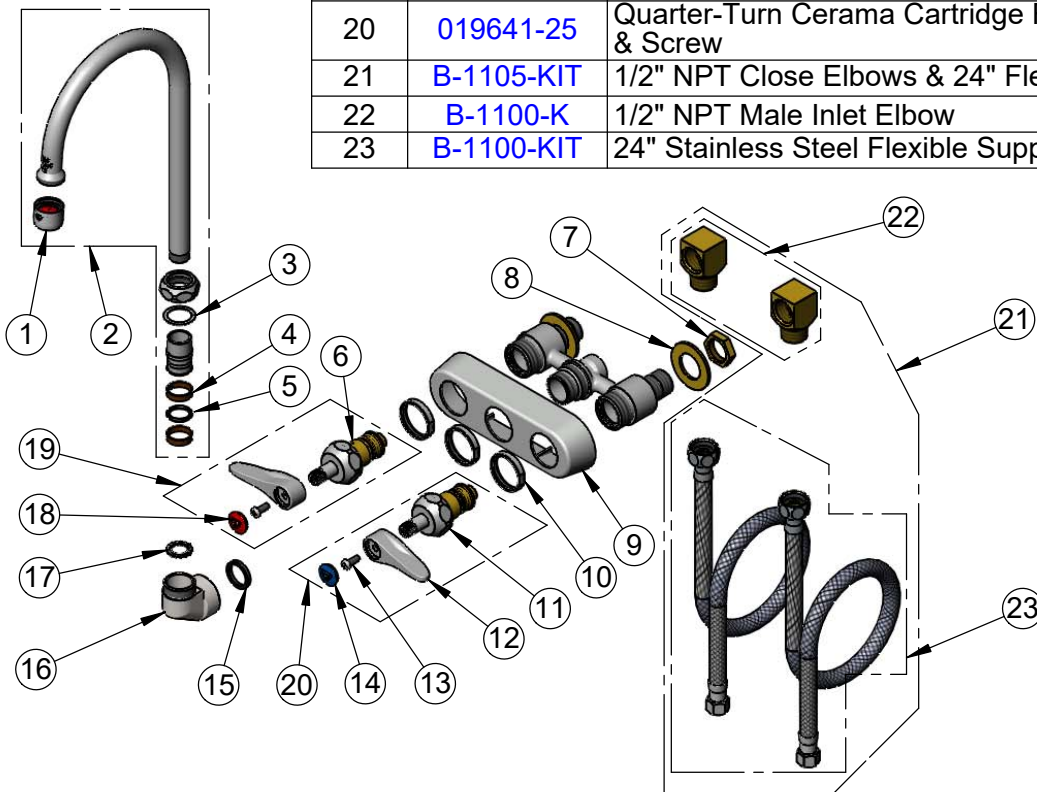
Model No.

B-1146-CR-KIT

Item No.

Travelers Rest, SC: 800-476-4103 • Simi Valley, CA: 800-423-0150 • Fax: 864-834-3518 • www.tsbrass.com

ITEM NO.	SALES NO.	DESCRIPTION
1	B-0199-01	2.2 GPM Aerator, 55/64-27 UN Female
2	133X-A22	5 3/4" Swivel Gooseneck w/ 2.2 GPM Aerator
3	009538-45	Swivel Washer
4	011429-45	Swivel Sleeves (2)
5	001074-45	O-Ring
6	012395-25NS	Quarter-Turn New Style Cerama Cartridge w/ Check Valve, LTC
7	002954-45	Shank Lock Nut
8	000999-45	Brass Lock Washer
9	019374-40	B-1110 Eterna Workboard Escutcheon
10	019376-40	Escutcheon Lock Nut
11	012394-25NS	Quarter-Turn New Style Cerama Cartridge w/ Check Valve, RTC
12	001638-45NS	Lever Handle (New Style)
13	000925-45	Lab Handle Screw
14	018506-19NS	Blue Button Index, Press-in
15	001040-45	Washer, 3/4 ID x 15/16 OD x 1/8 thick
16	000082-40	B-1100 Knob
17	014200-45	Star Washer, Anti-Rotation
18	001193-19NS	Red Button Index, Press-in
19	019640-25	Quarter-Turn Cerama Cartridge LTC w/ CV, Handle, Red Index & Screw
20	019641-25	Quarter-Turn Cerama Cartridge RTC w/ CV, Handle, Blue Index & Screw
21	B-1105-KIT	1/2" NPT Close Elbows & 24" Flexible Supply Hoses
22	B-1100-K	1/2" NPT Male Inlet Elbow
23	B-1100-KIT	24" Stainless Steel Flexible Supply Hoses



Product Specifications:

4" Wall Mount Workboard Faucet, Quarter-Turn Cerama Cartridges w/ Check Valves, Lever Handles, 5 3/4" Swivel Gooseneck, 2.2 GPM Aerator & 1/2" NPT Male Inlets, & 1/2" NPT Close Elbow and 24" Flexible Supply Hoses w/ 3/8" Compression Inlets

Product Compliance:

ASME A112.18.1 / CSA B125.1
NSF 61 - Section 9
NSF 372 (Low Lead Content)
ANSI A117.1 (ADA)