



# T&S BRASS AND BRONZE WORKS, INC.

2 Saddleback Cove / P.O. Box 1088  
Travelers Rest, SC 29690

Model No.

**B-1230-WFK**

Item No.

Travelers Rest, SC: 800-476-4103 • Simi Valley, CA: 800-423-0150 • Fax: 864-834-3518 • www.tsbrass.com



**ADA Compliant**

This Space for Architect/Engineer Approval

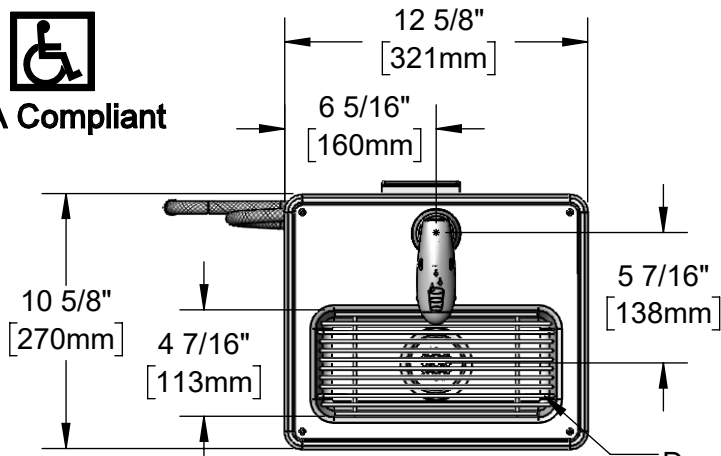
Job Name \_\_\_\_\_ Date \_\_\_\_\_

Model Specified \_\_\_\_\_ Quantity \_\_\_\_\_

Customer/Wholesaler \_\_\_\_\_

Contractor \_\_\_\_\_

Architect/Engineer \_\_\_\_\_



Dark Blue Lever Arm

Adjustable Flange  
Ø2" [51mm]

18 Ga. Stainless Steel  
Pan w/ Mastic & Screws

3/8" NPT Street Elbow

3/8" Compression x  
3/8" NPT Male Adapter

3/8" Compression x  
20" [508mm] Long  
Inlet Hose

Allow for 2 1/2" [64mm]  
Clearance Below for  
Cartridge Removal

Adjustable Flow Outlet  
w/ Torx Wrench

1 1/2"  
[38mm]

4"  
[102mm]

3 3/4"  
[94mm]

Ø1 1/4"  
[32mm]

3/8" Compression x  
1/2" NPSM x 18" [457mm]  
Long Connector Hose

Docking Station w/  
Shut-off Lever

Replaceable  
Filter Cartridge

3 3/4"  
[96mm]

7 15/16"  
[202mm]

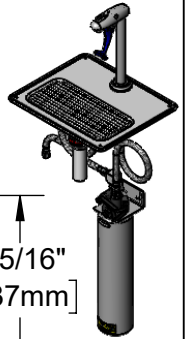
9 5/16"  
[237mm]

4 11/16"  
[119mm]

4 1/16"  
[104mm]

15 3/16"  
[386mm]

Ø3 1/4"  
[83mm]



Suggested Cut Out Size for Pan is 10-1/2" x 5". Verify Before Installing.

**Product Specifications:**

Deck Mount Water Station w/ Pedestal Type Glass Filler, 18 Gauge Stainless Steel Drip Pan, Water Filtration Cartridge & 1 1/4" Drain

**Product Compliance:**

ASME A112.18.1 / CSA B125.1  
NSF 61 - Section 9  
NSF 372 (Low Lead Content)  
ANSI A117.1 (ADA)



# T&S BRASS AND BRONZE WORKS, INC.

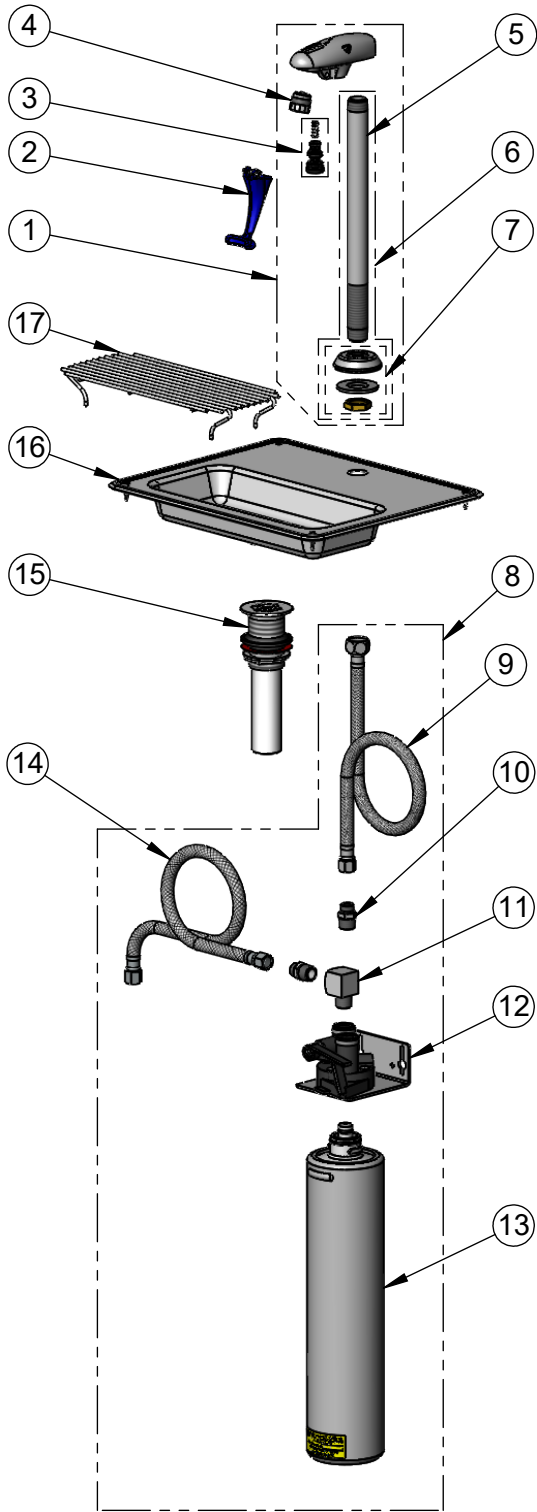
2 Saddleback Cove / P.O. Box 1088  
Travelers Rest, SC 29690

Model No.

**B-1230-WFK**

Item No.

Travelers Rest, SC: 800-476-4103 • Simi Valley, CA: 800-423-0150 • Fax: 864-834-3518 • www.tsbrass.com



ITEM NO.	SALES NO.	DESCRIPTION
1	B-1210	Adjustable Deck Flange
2	015550-45	Lever Arm Repair Kit
3	015589-40	Valve
4	015588-40	Adjustable Outlet w/ Torx Wrench
5	015886-40	B-1210 Glass Filler Pedestal
6	015887-40	Pedestal
7	016783-40	Adjustable Deck Flange Repair Kit
8	B-WFK	Water Filtration Kit
9	5EF-0005	Supply Hose, 9/16-24 Female x 1/2" NPSM
10	006101-45	Adapter, 3/8" NPT x 9/16"-24 UN Male
11	148X	Street Elbow, 3/8" NPT
12	B-WFDS	Water Filtration Docking Station
13	B-WFC	Filter Cartridge
14	013146-45	Supply Hose, 9/16-24 Fem (3/8" Comp)
15	010126-45	Drip Pan Drain
16	010123-45	Drip Pan
17	183F	Drip Pan Grid



**016640-45**  
T-45 Torx  
Wrench

**Product Specifications:**

Deck Mount Water Station w/ Pedestal Type Glass Filler, 18 Gauge Stainless Steel Drip Pan, Water Filtration Cartridge & 1 1/4" Drain

**Product Compliance:**

ASME A112.18.1 / CSA B125.1  
NSF 61 - Section 9  
NSF 372 (Low Lead Content)  
ANSI A117.1 (ADA)