



# T&S BRASS AND BRONZE WORKS, INC.

2 Saddleback Cove / P.O. Box 1088  
Travelers Rest, SC 29690

Model No.

**B-1231**

Item No.

Travelers Rest, SC: 800-476-4103 • Simi Valley, CA: 800-423-0150 • Fax: 864-834-3518 • www.tsbrass.com

This Space for Architect/Engineer Approval

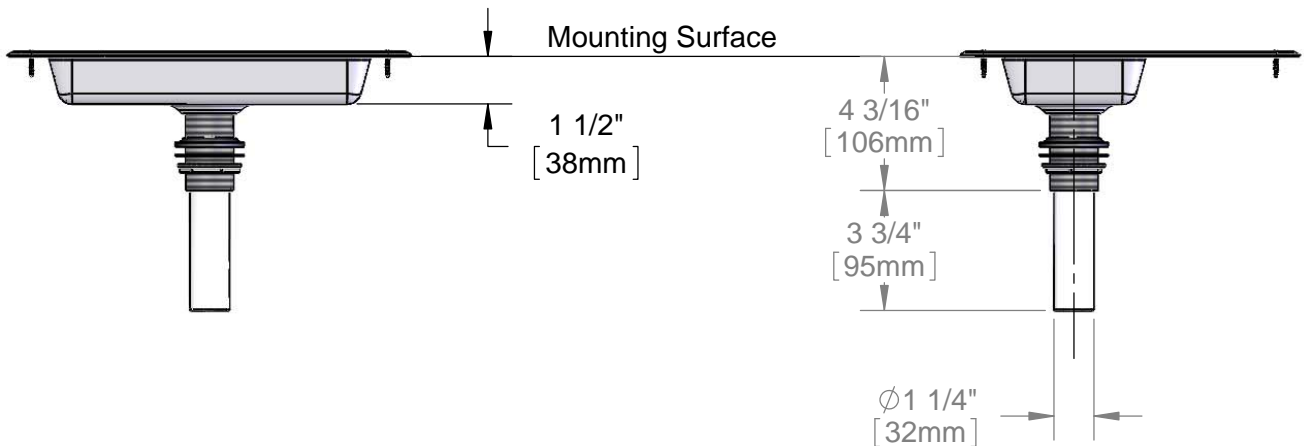
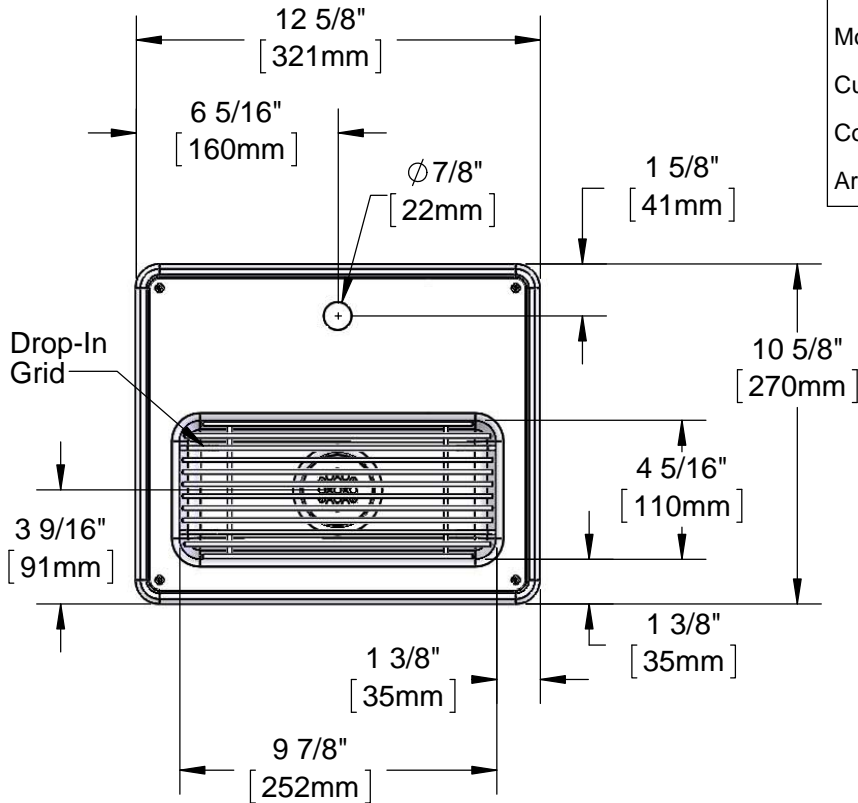
Job Name \_\_\_\_\_ Date \_\_\_\_\_

Model Specified \_\_\_\_\_ Quantity \_\_\_\_\_

Customer/Wholesaler \_\_\_\_\_

Contractor \_\_\_\_\_

Architect/Engineer \_\_\_\_\_



**Note:**

1. 18 Gauge Stainless Steel Pan w/ Beaded Edge  
Supplied w/ Mastic & Stainless Steel Screws for Mounting.
2. Suggested Cut Out Size for Pan is 10-1/2" x 5". Customer to Verify Actual Cut Out Needed Prior to Installation.

**Product Specifications:**

18 Gauge Die-Stamped Stainless Steel Drip Pan, Drop-In Grid & Ø 1 1/4" Drain

**Product Compliance:**

ASME A112.18.2 / CSA B125.2 (Drain)



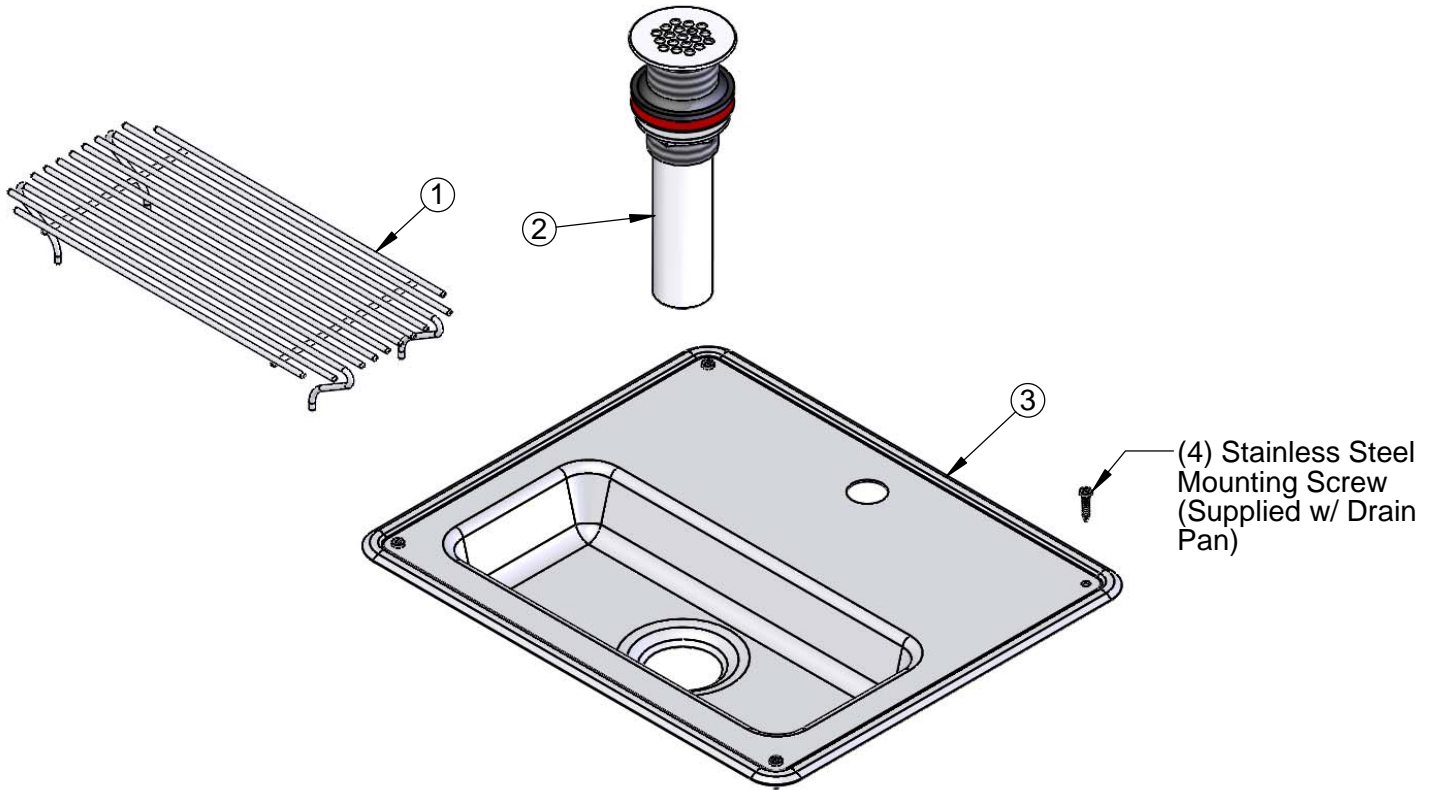
**T&S BRASS AND BRONZE WORKS, INC.**  
 2 Saddleback Cove / P.O. Box 1088  
 Travelers Rest, SC 29690

Model No.  
**B-1231**

Item No.

Travelers Rest, SC: 800-476-4103 • Simi Valley, CA: 800-423-0150 • Fax: 864-834-3518 • www.tsbrass.com

ITEM NO.	SALES NO.	DESCRIPTION
1	183F	Drip Pan Grid
2	010126-45	Drip Pan Drain
3	010123-45	Drip Pan



Product Specifications:  
 18 Gauge Die-Stamped Stainless Steel Drip Pan, Drop-In Grid & Ø 1 1/4" Drain

Product Compliance:  
 ASME A112.18.2 / CSA B125.2 (Drain)