



# T&S BRASS AND BRONZE WORKS, INC.

2 Saddleback Cove / P.O. Box 1088  
Travelers Rest, SC 29690

Model No.

**B-1433-04**

Item No.

Travelers Rest, SC: 800-476-4103 • Simi Valley, CA: 800-423-0150 • Fax: 864-834-3518 • www.tsbrass.com

This Space for Architect/Engineer Approval

Job Name \_\_\_\_\_ Date \_\_\_\_\_

Model Specified \_\_\_\_\_ Quantity \_\_\_\_\_

Customer/Wholesaler \_\_\_\_\_

Contractor \_\_\_\_\_

Architect/Engineer \_\_\_\_\_

**B-0963**

Continuous Pressure  
Vacuum Breaker w/  
Integral Check Valve

3/8" NPT x 36"  
Flexible Water  
Connector To  
Hose Reel

Stainless Steel  
Quick Disconnect

3/8" NPT x 40" Riser

Control Valve

(2) **B-0109-07**  
Wall Brackets

EasyInstall  
3/8" NPT x 16" Riser

3 11/16"  
[94mm]

Adjustable From  
7 3/4" to 8 1/4"  
[197mm to 210mm]

12 5/8"  
[321mm]

Ø 2" [51mm]  
Flanges w/  
1/2" NPT  
Female Inlets

Enclosed Coated Hose Reel  
w/ 30' of 3/8" Hose

**019652-40**

3/8" NPT  
Live Swivel

Front Trigger  
Water Gun

Quarter-Turn  
Eterna Cartridges  
w/ Spring Checks &  
Lever Handles w/  
Color Coded Indexes

Ø 1/2"  
[13mm]  
Typ

6 7/16"  
[164mm]

3/4"  
[19mm]

5 1/2"  
[139mm]

2 3/8"  
[60mm]

5 1/4"  
[133mm]

1/2"  
[13mm]  
Typ

63 5/16"  
[1609mm]

17 13/16"  
[453mm]

2 3/8"  
[61mm]

**Product Specifications:**

Enclosed Coated Hose Reel w/ 30' of 3/8" Hose, Stainless Steel Front Trigger Water Gun w/ Swivel, Vacuum Breaker, 3/8" NPT Flexible Water Connector, 8" Wall Mount Mixing Faucet & Control Valve

**Product Compliance:**

NSF 61 Exempt (Non-Potable)  
2019 DOE PRSV Non-Compliant  
ASSE 1056 (VB)

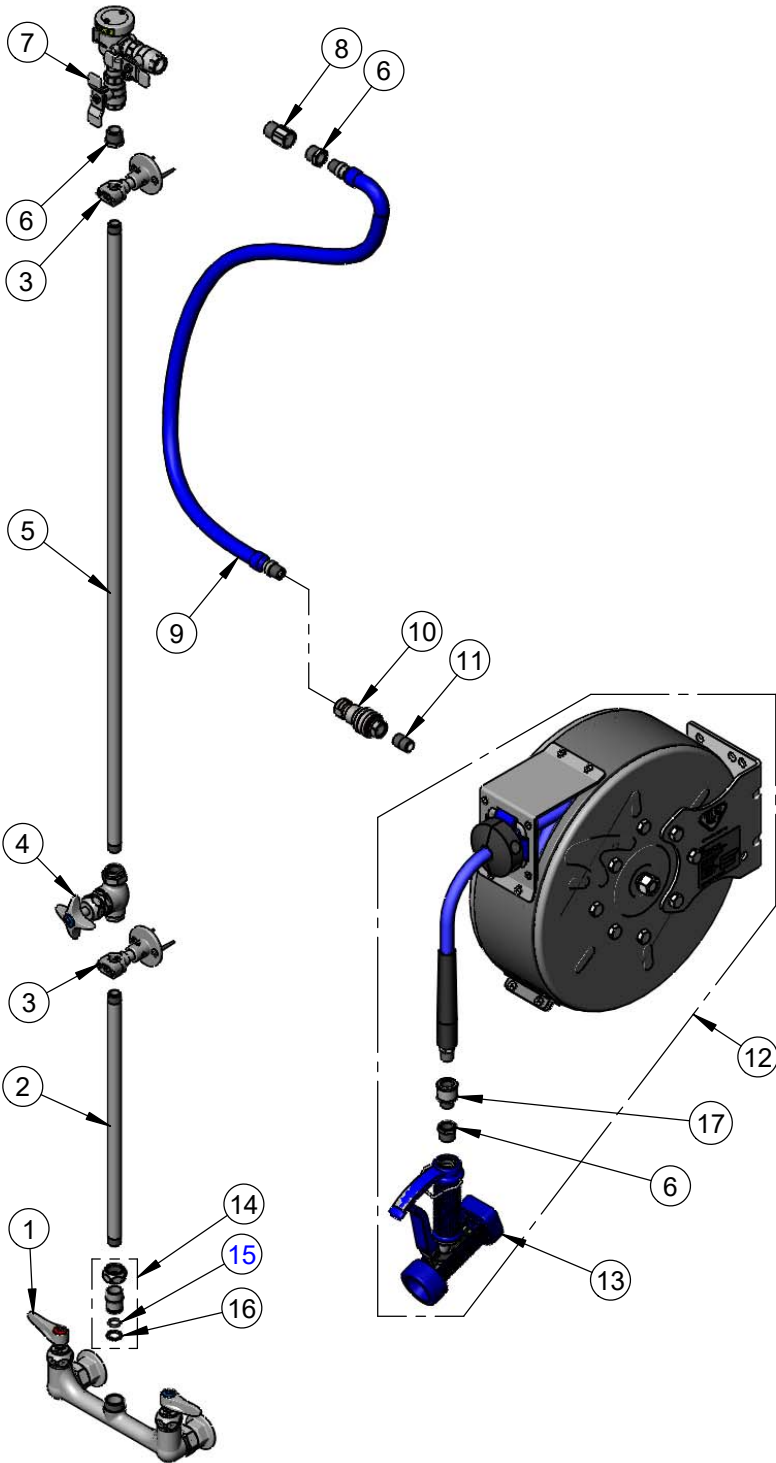


**T&S BRASS AND BRONZE WORKS, INC.**  
 2 Saddleback Cove / P.O. Box 1088  
 Travelers Rest, SC 29690

Model No.  
**B-1433-04**

Item No.

Travelers Rest, SC: 800-476-4103 • Simi Valley, CA: 800-423-0150 • Fax: 864-834-3518 • www.tsbrass.com



ITEM NO.	SALES NO.	DESCRIPTION
1	B-0230-LN	8" Wall Mount Mixing Faucet
2	000368-40	3/8" NPT x 16" Riser
3	B-0109-07	Wall Bracket
4	0RK3	0RK3 Control Valve
5	002558-40	3/8" NPT x 40" Riser
6	001359-40	1/2" NPT Male x 3/8" NPT Female Hex Bushing
7	B-0963	1/2" NPT Continuous Pressure VB w/ Integral Check Valve
8	015073-40	Check Valve w/ 1/2" NPT Adapter
9	HW-2B-36	3/8" NPT x 36" Flexible Water Hose
10	AW-5B	3/8" NPT Quick Disconnect
11	002535-25	3/8" Close Nipple
12	B-7222-C05	Enclosed Coated Reel w/ 30' of 3/8" Hose
13	MV-2522-24	Stainless Steel Water Gun, Front Trigger
14	EZ-K	EasyInstall Kit
15	001065-45	O-Ring
16	014200-45	Lock Washer
17	019652-40	3/8" NPT Live Swivel

**Product Specifications:**  
 Enclosed Coated Hose Reel w/ 30' of 3/8" Hose, Stainless Steel Front Trigger Water Gun w/ Swivel, Vacuum Breaker, 3/8" NPT Flexible Water Connector, 8" Wall Mount Mixing Faucet & Control Valve

**Product Compliance:**  
 NSF 61 Exempt (Non-Potable)  
 2019 DOE PRSV Non-Compliant  
 ASSE 1056 (VB)