



T&S BRASS AND BRONZE WORKS, INC.
 2 Saddleback Cove / P.O. Box 1088
 Travelers Rest, SC 29690

Model No.
B-1459-7112-QDS

Item No.

Travelers Rest, SC: 800-476-4103 • Simi Valley, CA: 800-423-0150 • Fax: 864-834-3518 • www.tsbrass.com

This Space for Architect/Engineer Approval

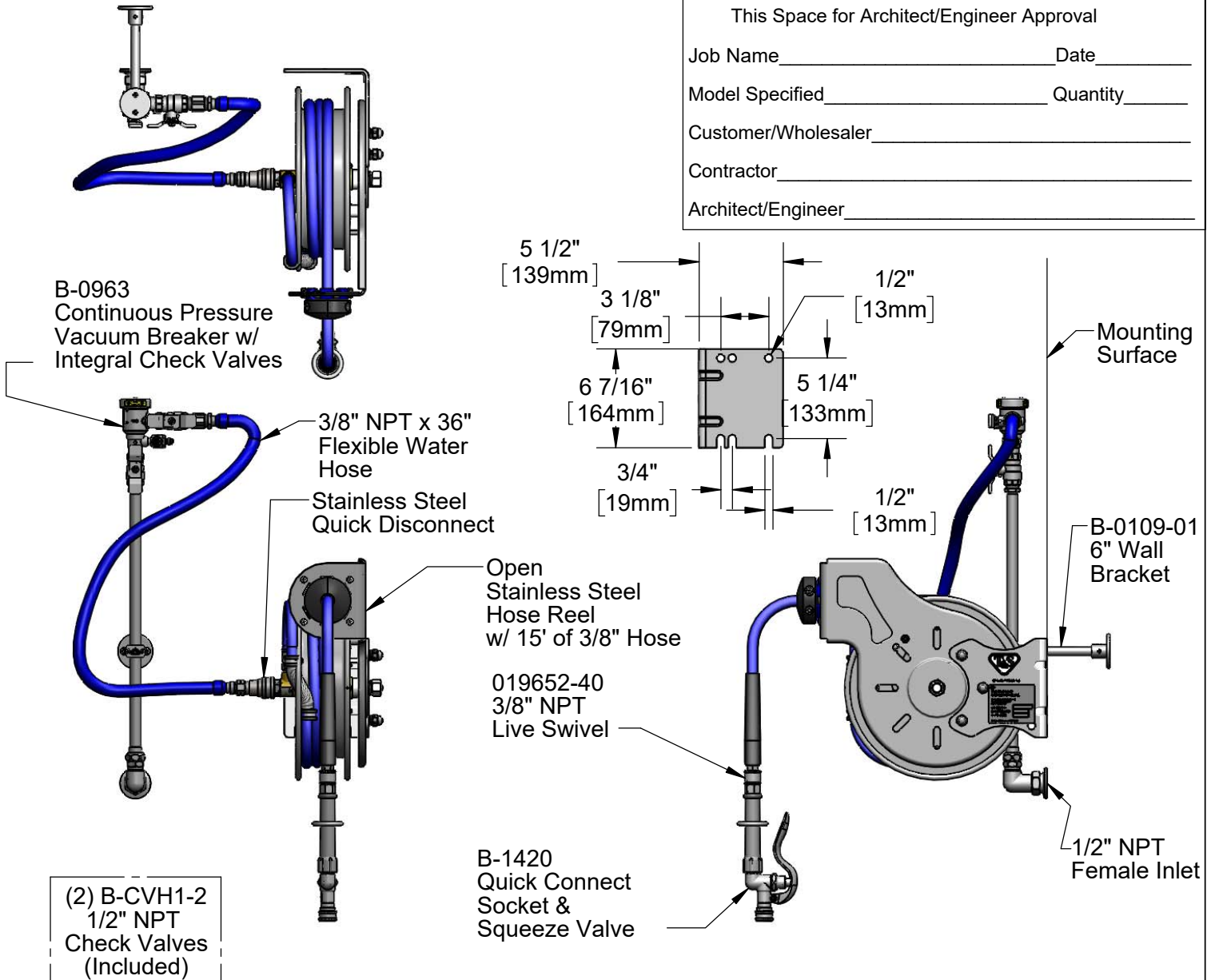
Job Name _____ Date _____

Model Specified _____ Quantity _____

Customer/Wholesaler _____

Contractor _____

Architect/Engineer _____



(2) B-CVH1-2
 1/2" NPT
 Check Valves
 (Included)



B-0512
 3" Concealed Mixing Faucet
 & 4-Arm Handles
 w/ Color-Coded Indexes
 (Included)

B-1421 Spray Head (DOE - Class II Compliant)	B-1422 Spray Head	B-1423 Spray Head	B-1428 0.65 GPM Fan Jet Nozzle (DOE - Class I Compliant)	BR10 Brush Attachment

Product Specifications:
 Open Stainless Steel Hose Reel w/ 15' of 3/8" Hose, Quick Connect Spray Valve w/ Spray Accessories w/ Swivel, Vacuum Breaker, 3/8" NPT Flexible Water Hose, 3" Concealed Mixing Valve & Check Valves

Product Compliance:
 NSF 61 Exempt (Non-Potable)
 ASSE 1056 (VB)
 2019 DOE PRSV - Class I (B-1428)
 2019 DOE PRSV - Class II (B-1421)



T&S BRASS AND BRONZE WORKS, INC.

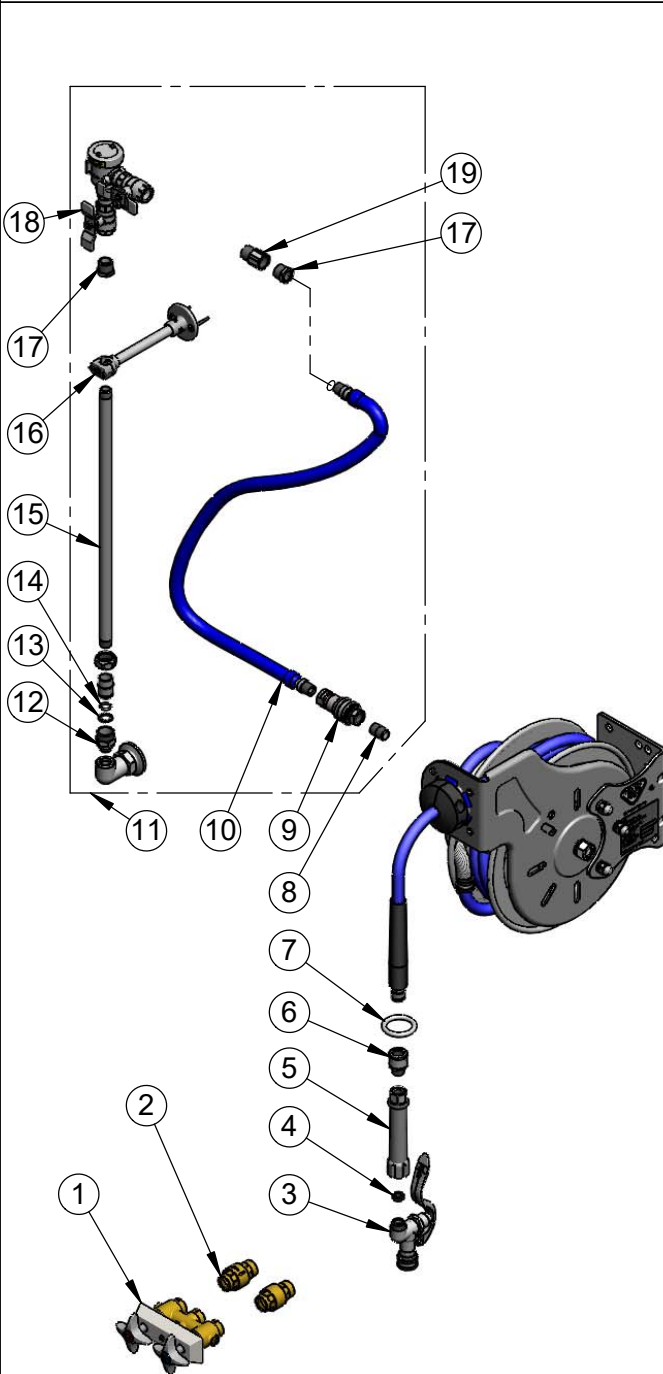
2 Saddleback Cove / P.O. Box 1088
Travelers Rest, SC 29690

Model No.

B-1459-7112-QDS

Item No.

Travelers Rest, SC: 800-476-4103 • Simi Valley, CA: 800-423-0150 • Fax: 864-834-3518 • www.tsbrass.com




ITEM NO.	SALES NO.	DESCRIPTION
1	B-0512	3" Wall Mount Mixing Faucet
2	B-CVH1-2	1/2" Check Valve
3	B-1420	Spray Valve w/ Quick Disconnect Socket
4	010476-45	#27 Washer
5	002881-40	Grip handle (Gray)
6	019652-40	3/8" NPT Live Swivel
7	000907-45	Spray Valve Hold Down Ring
8	002535-25	3/8" Close Nipple
9	AW-5B	3/8" NPT Quick Disconnect
10	HW-2B-36	3/8" NPT x 36" Flexible Water Hose
11	0RK-SK	Hose Reel Connector Kit
12	B-0412	Rigid to Swivel Adapter
13	014200-45	Star Washer, Anti-Rotation
14	001065-45	O-Ring
15	000369-40	3/8" NPT x 18" Riser
16	B-0109-01	6" Wall Bracket
17	001359-40	1/2" NPT Male x 3/8" NPT Female Hex Bushing
18	B-0963	1/2" NPT Continuous Pressure Vacuum Breaker w/ Integral Check Valve
19	015073-40	Check Valve w/ 1/2" NPT Adapter



B-1421
Spray Head
(DOE - Class II)



B-1422
Spray Head



B-1423
Spray Head



B-1428
0.65 GPM
Fan Jet Nozzle
(DOE - Class I)



BR10
Brush
Attachment

Product Specifications:

Open Stainless Steel Hose Reel w/ 15' of 3/8" Hose, Quick Connect Spray Valve w/ Spray Accessories w/ Swivel, Vacuum Breaker, 3/8" NPT Flexible Water Hose, 3" Concealed Mixing Valve & Check Valves

Product Compliance:

NSF 61 Exempt (Non-Potable)
ASSE 1056 (VB)
2019 DOE PRSV - Class I (B-1428)
2019 DOE PRSV - Class II (B-1421)