



T&S BRASS AND BRONZE WORKS, INC.
 2 Saddleback Cove / P.O. Box 1088
 Travelers Rest, SC 29690

Model No.

B-1912-11

Item No.

Travelers Rest, SC: 800-476-4103 • Simi Valley, CA: 800-423-0150 • Fax: 864-834-3518 • www.tsbrass.com

This Space for Architect/Engineer Approval

Job Name _____ Date _____

Model Specified _____ Quantity _____

Customer/Wholesaler _____

Contractor _____

Architect/Engineer _____



1"
[25mm]



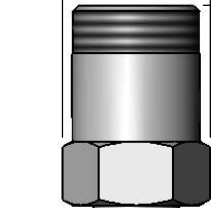
Swivel Outlet Accepts
Standard T&S Swing
Nozzles & Goosenecks

3/8" NPT x 3" Riser



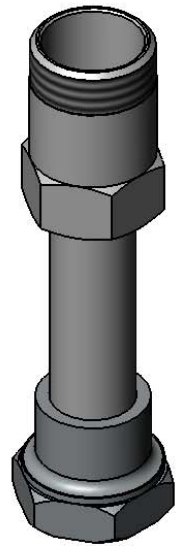
Swivel to Rigid Adapter
Fits all Standard T&S
Swivel Outlets

1 1/8"
[29mm]



4 5/8"
[117mm]
Overall Length

1 5/16"
[33mm]



Product Specifications:
Straight Swivel Extension with Gasket and 4 5/8" Overall Length

Product Compliance:
ASME A112.18.1 / CSA B125.1
NSF 61 - Section 9
NSF 372 (Low Lead Content)



T&S BRASS AND BRONZE WORKS, INC.
2 Saddleback Cove / P.O. Box 1088
Travelers Rest, SC 29690

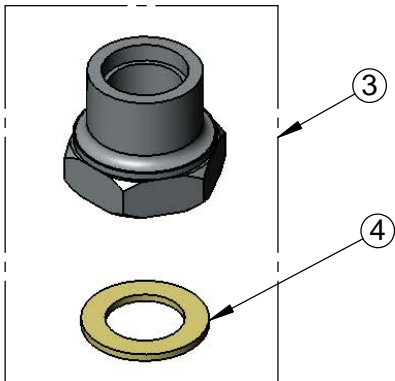
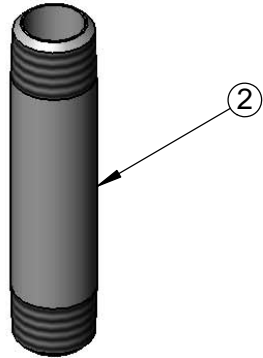
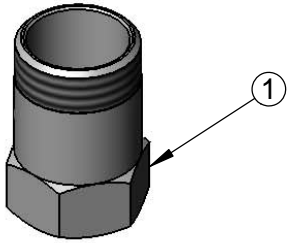
Model No.

B-1912-11

Item No.

Travelers Rest, SC: 800-476-4103 • Simi Valley, CA: 800-423-0150 • Fax: 864-834-3518 • www.tsbrass.com

| ITEM NO. | SALES NO. | DESCRIPTION |
|----------|-----------|--------------------------|
| 1 | 054X | Swivel Body |
| 2 | 000358-40 | 3/8" NPT x 3" Long Riser |
| 3 | B-0413 | Swivel to Rigid Adapter |
| 4 | 001049-45 | Washer |



Product Specifications:
Straight Swivel Extension with Gasket and 4 5/8" Overall Length

Product Compliance:
ASME A112.18.1 / CSA B125.1
NSF 61 - Section 9
NSF 372 (Low Lead Content)