



T&S BRASS AND BRONZE WORKS, INC.

2 Saddleback Cove / P.O. Box 1088
Travelers Rest, SC 29690

Model No.

B-2308

Item No.

Travelers Rest, SC: 800-476-4103 • Simi Valley, CA: 800-423-0150 • Fax: 864-834-3518 • www.tsbrass.com



ADA Compliant

This Space for Architect/Engineer Approval

Job Name _____ Date _____

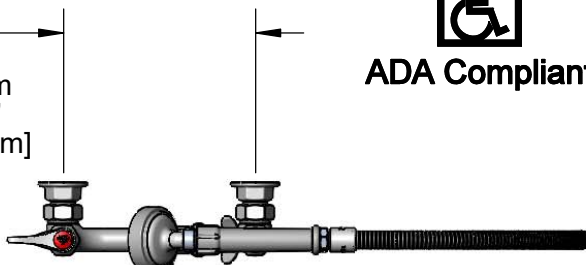
Model Specified _____ Quantity _____

Customer/Wholesaler _____

Contractor _____

Architect/Engineer _____

8"
[203mm]
Adjustable From
7 3/4" to 8 1/4"
[197mm to 210mm]



80" Flexible Stainless Steel
Hose w/ Handle & 1.15 GPM
Angled Spray Face

B-0104-D
Dummy Wall Hook

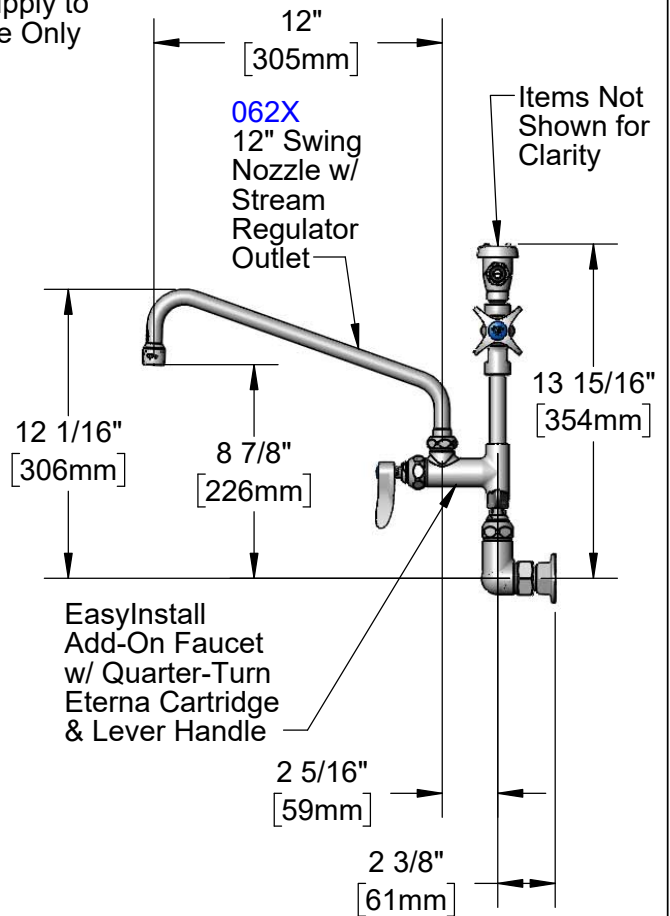
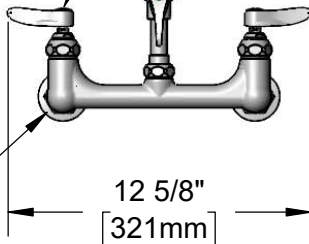


Control Valve for
Water Supply to
Flex Hose Only

B-0968
Vacuum Breaker

Quarter-Turn
Eterna Cartridges w/
Spring Checks &
Lever Handles w/
Color Coded Indexes

Ø 2" [51mm]
Flanges w/
1/2" NPT
Female Inlets



Product Specifications:

8" Wall Mount Mixing Faucet, Quarter-Turn Eterna Cartridges w/ Spring Checks, Add-On Faucet w/ 12" Swing Nozzle, Control Valve, Vacuum Breaker, 80" Flexible Stainless Steel Hose w/ 1.15 GPM Angled Spray Face & 1/2" NPT Female Inlets

Product Compliance:

ASME A112.18.1 / CSA B125.1
NSF 61 - Section 9
NSF 372 (Low Lead Content)
ASSE 1001 (VB)



T&S BRASS AND BRONZE WORKS, INC.

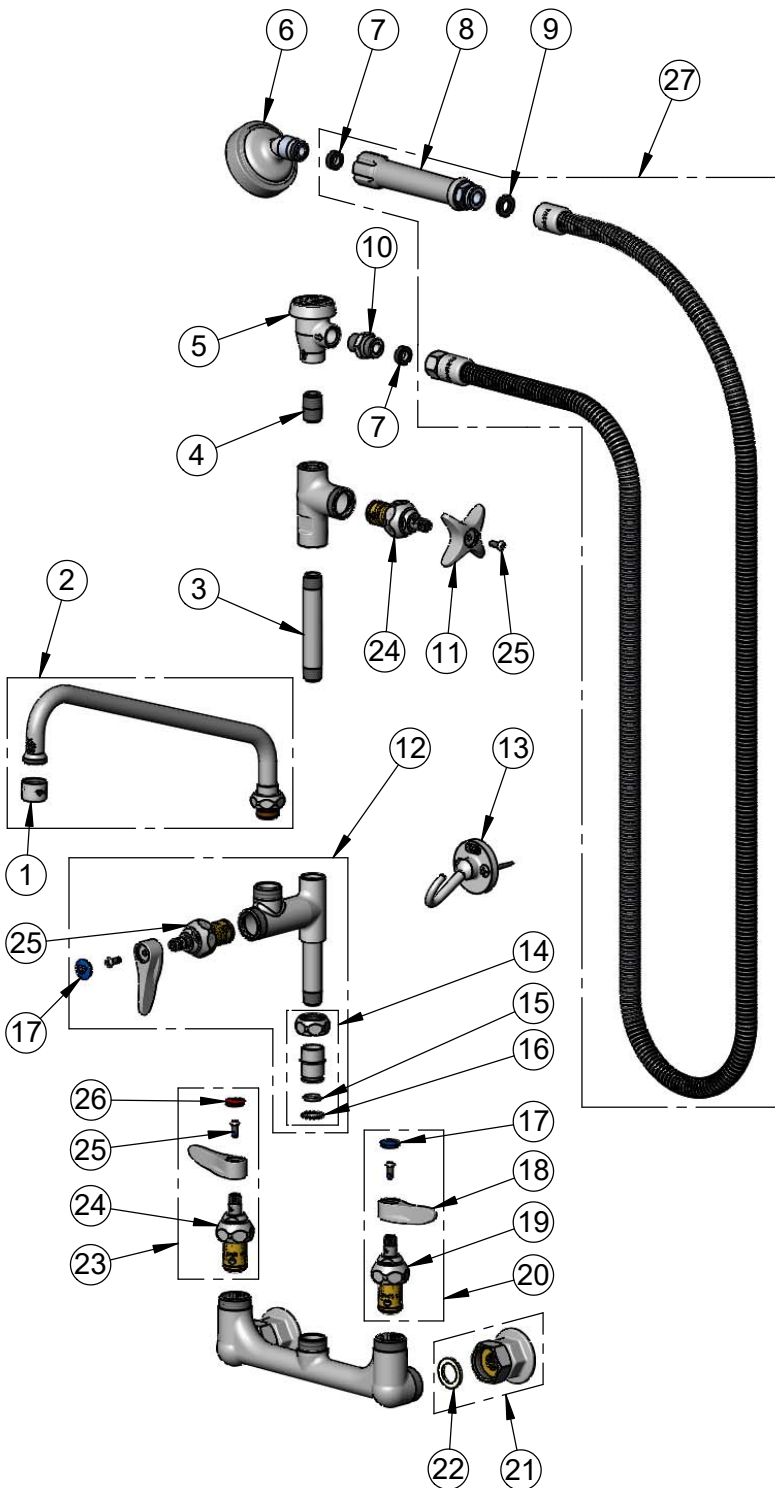
2 Saddleback Cove / P.O. Box 1088
Travelers Rest, SC 29690

Model No.

B-2308

Item No.

Travelers Rest, SC: 800-476-4103 • Simi Valley, CA: 800-423-0150 • Fax: 864-834-3518 • www.tsbrass.com



ITEM NO.	SALES NO.	DESCRIPTION
1	B-PT	Full Flow Stream Regulator, 55/64-27
2	062X	12" Swing Nozzle w/ Stream Regulator Outlet
3	000360-40	Nipple, 3/8" NPT x 4"
4	002535-25	3/8" Close Nipple
5	B-0968	3/8" NPT Vacuum Breaker
6	005969-40	1.15 GPM Angled Spray Face
7	010476-45	#27 Washer
8	002987-40	Grip Handle
9	001014-45	Washer, B-0100 Hose Barrel
10	053A	Adapter, 3/8" NPT x 3/4-14UN
11	002521-45NS	4-Arm Handle (New Style)
12	B-0155-LNEZ	EasyInstall Add-On Faucet Less Nozzle
13	B-0104-D	Dummy Wall Hook
14	EZ-K	EasyInstall Kit
15	001065-45	O-Ring
16	014200-45	Star Washer, Anti-Rotation
17	018506-19NS	Blue Button Index, Press-in
18	001638-45NS	Lever Handle (New Style)
19	012442-40NS	Quarter-Turn Eterna Cartridge w/ Spring Check, LTC
20	002711-40NS	Quarter-Turn Eterna Cartridge w/ Spring Check, Handle, Blue Index & Screw, LTC
21	00AA	1/2" NPT Female Eccentric Flange
22	001019-45	Coupling Nut Washer
23	002712-40NS	Quarter-Turn Eterna Cartridge w/ Spring Check, Handle, Red Index & Screw, RTC
24	012443-40NS	Quarter-Turn Eterna Cartridge w/ Spring Check, RTC
25	000925-45	Lab Handle Screw
26	001193-19NS	Red Button Index, Press-in
27	B-0080-H	80" Flexible Stainless Steel Hose w/ Handle

Product Specifications:

8" Wall Mount Mixing Faucet, Quarter-Turn Eterna Cartridges w/ Spring Checks, Add-On Faucet w/ 12" Swing Nozzle, Control Valve, Vacuum Breaker, 80" Flexible Stainless Steel Hose w/ 1.15 GPM Angled Spray Face & 1/2" NPT Female Inlets

Product Compliance:

ASME A112.18.1 / CSA B125.1
NSF 61 - Section 9
NSF 372 (Low Lead Content)
ASSE 1001 (VB)