



# T&S BRASS AND BRONZE WORKS, INC.

2 Saddleback Cove / P.O. Box 1088  
Travelers Rest, SC 29690

Model No.

**B-2347-03**

Item No.

Travelers Rest, SC: 800-476-4103 • Simi Valley, CA: 800-423-0150 • Fax: 864-834-3518 • www.tsbrass.com



**ADA Compliant**

This Space for Architect/Engineer Approval

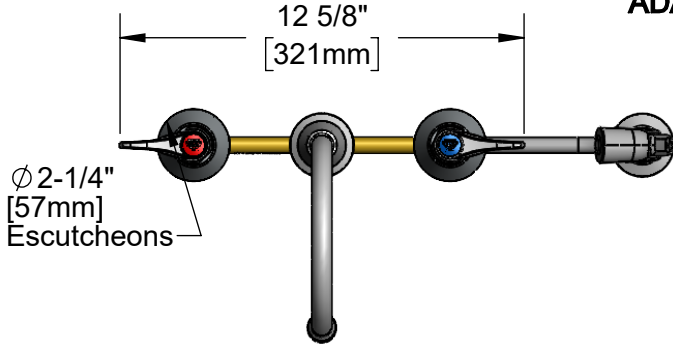
Job Name \_\_\_\_\_ Date \_\_\_\_\_

Model Specified \_\_\_\_\_ Quantity \_\_\_\_\_

Customer/Wholesaler \_\_\_\_\_

Contractor \_\_\_\_\_

Architect/Engineer \_\_\_\_\_

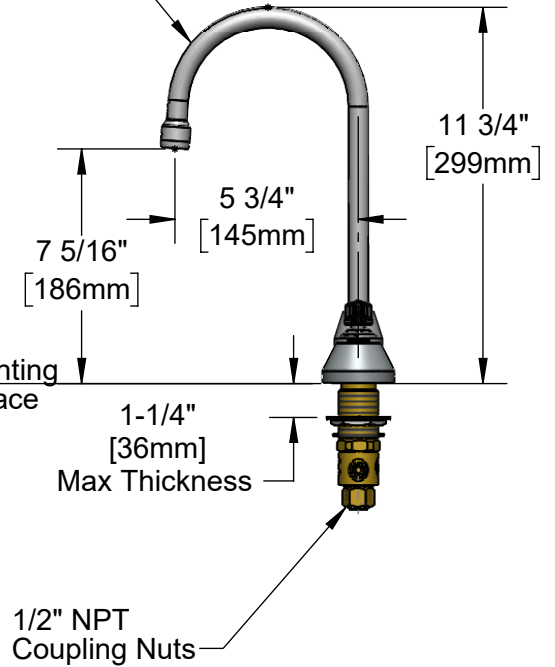
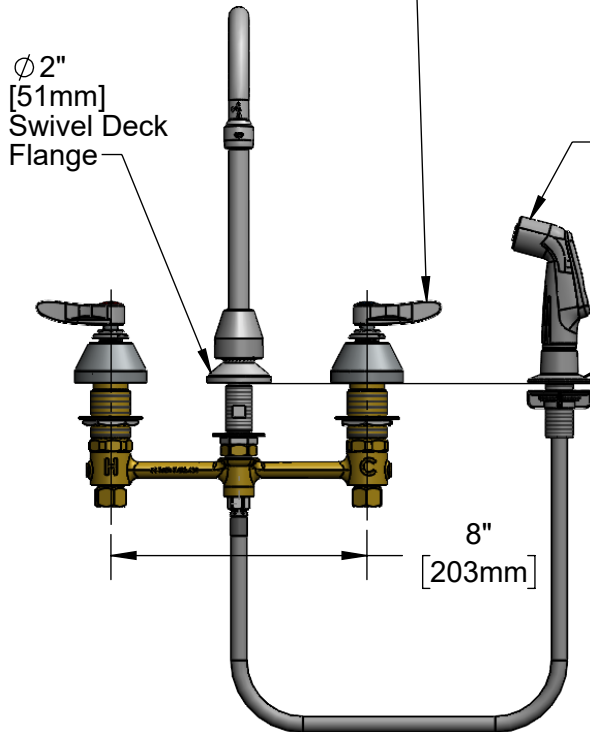


Quarter-Turn Eterna Cartridges w/ Spring Checks & Lever Handles w/ Color Coded Indexes

Swivel Gooseneck w/ B-0199-01 2.2 GPM Aerator

Ø 2" [51mm] Swivel Deck Flange

Sidespray w/ 4' Vinyl Hose & Hose Guide



### Rough-In Requirement:

Ø 1" [25mm] for Center Shank and Sidespray

Ø 1-1/2" [38mm] for Hot/Cold Side

### Product Specifications:

8" Concealed Widespread EasyInstall Faucet, 4' Sidespray, Lever Handles, Quarter-Turn Eterna Cartridges w/ Spring Checks, 5 3/4" Swivel Gooseneck w/ 2.2 GPM Aerator, & 1/2" NPT Male Inlets w/ Coupling Nuts

### Product Compliance:

ASME A112.18.1 / CSA B125.1  
NSF 61 - Section 9  
NSF 372 (Low Lead Content)  
ANSI A117.1 (ADA)



# T&S BRASS AND BRONZE WORKS, INC.

2 Saddleback Cove / P.O. Box 1088  
Travelers Rest, SC 29690

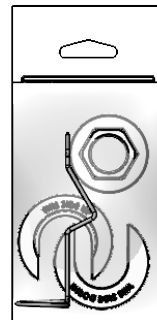
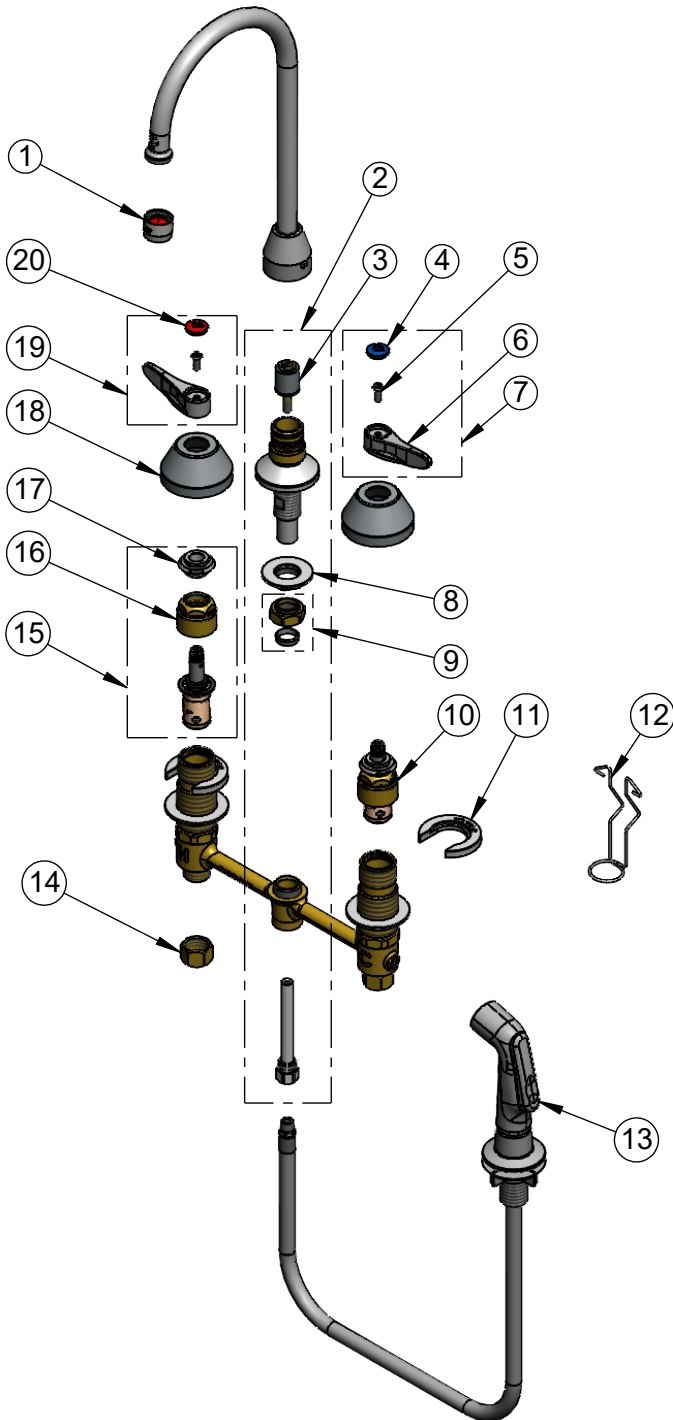
Model No.

**B-2347-03**

Item No.

Travelers Rest, SC: 800-476-4103 • Simi Valley, CA: 800-423-0150 • Fax: 864-834-3518 • www.tsbrass.com

ITEM NO.	SALES NO.	DESCRIPTION
1	B-0199-01	2.2 GPM Aerator
2	017208-40NS	Center Body Diverter
3	002338-45	Diverter
4	018506-19NS	Blue Button Index, Press-in
5	000925-45	Lab Handle Screw
6	001638-45NS	Lever Handle (New Style)
7	001636-45NS	Lever Handle, Blue Index & Screw
8	016742-45	Center Flange Nut
9	016745-45	Compression Nut & Fitting
10	016752-40NS	EasyInstall, CWS Quarter-Turn Eterna Cartridge w/ Spring Check, LTC
11	016749-45	C-Washer
12	016777-45	CWS Hanger
13	001495-45NS	Sidespray w/ 4' Vinyl Hose & Hose Guide, New Style
14	000958-20	Coupling Nut
15	016753-40NS	EasyInstall, CWS Quarter-Turn Eterna Cartridge w/ Spring Check, RTC
16	016743-20	CWS Eterna Bonnet
17	009002-40NS	Packing Assembly (New Style)
18	001257-40NS	Bell Escutcheon
19	001637-45NS	Lever Handle, Red Index & Screw
20	001193-19NS	Red Button Index, Press-in



**017245-40**  
Installation Repair Kit  
Includes #8, (2)#11 & #12

**Product Specifications:**

8" Concealed Widespread EasyInstall Faucet, 4' Sidespray, Lever Handles, Quarter-Turn Eterna Cartridges w/ Spring Checks, 5 3/4" Swivel Gooseneck w/ 2.2 GPM Aerator, & 1/2" NPT Male Inlets w/ Coupling Nuts

**Product Compliance:**

ASME A112.18.1 / CSA B125.1  
NSF 61 - Section 9  
NSF 372 (Low Lead Content)  
ANSI A117.1 (ADA)