



# T&S BRASS AND BRONZE WORKS, INC.

2 Saddleback Cove / P.O. Box 1088  
Travelers Rest, SC 29690

Model No.

**B-2347-04**

Item No.

Travelers Rest, SC: 800-476-4103 • Simi Valley, CA: 800-423-0150 • Fax: 864-834-3518 • www.tsbrass.com



**ADA Compliant**

This Space for Architect/Engineer Approval

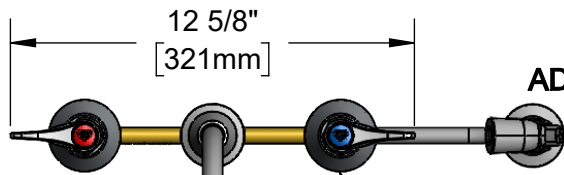
Job Name \_\_\_\_\_ Date \_\_\_\_\_

Model Specified \_\_\_\_\_ Quantity \_\_\_\_\_

Customer/Wholesaler \_\_\_\_\_

Contractor \_\_\_\_\_

Architect/Engineer \_\_\_\_\_



Ø 2 1/4" [57mm]  
Escutcheons

Swivel Gooseneck  
w/ B-0199-02  
2.2 GPM Aerator Outlet

Quarter-Turn  
Eterna Cartridges w/  
Spring Checks &  
Lever Handles w/  
Color Coded Indexes

Ø 2" [51mm]  
Swivel Deck  
Flange

Sidespray w/  
4' Vinyl Hose &  
Hose Guide

2 9/16" [65mm]

13 3/8" [340mm]

8 13/16" [223mm]

6 5/8" [169mm]

Mounting  
Surface

1 1/4" [36mm]  
Maximum  
Thickness

8" [203mm]

Hose Guide  
w/ Lock Nut

1/2" NPT  
Coupling Nuts

### Rough-In Requirement:

Ø 1" [25mm] for Center Shank and Sidespray

Ø 1 1/2" [38mm] for Hot/Cold Side

### Product Specifications:

8" Concealed Widespread EasyInstall Mixing Faucet, 4' Sidespray, Lever Handles, Quarter-Turn Eterna Cartridges w/ Spring Checks, Swivel Gooseneck w/ 2.2 GPM Aerator and 1/2" NPT Male Inlets w/ Coupling Nuts

### Product Compliance:

ASME A112.18.1 / CSA B125.1  
NSF 61 - Section 9  
NSF 372 (Low Lead Content)  
ANSI A117.1 (ADA)

Drawn: KJG

Checked: JRM

Approved: JHB

Date: 04/15/24

Scale: 1:4

Sheet: 1 of 2



# T&S BRASS AND BRONZE WORKS, INC.

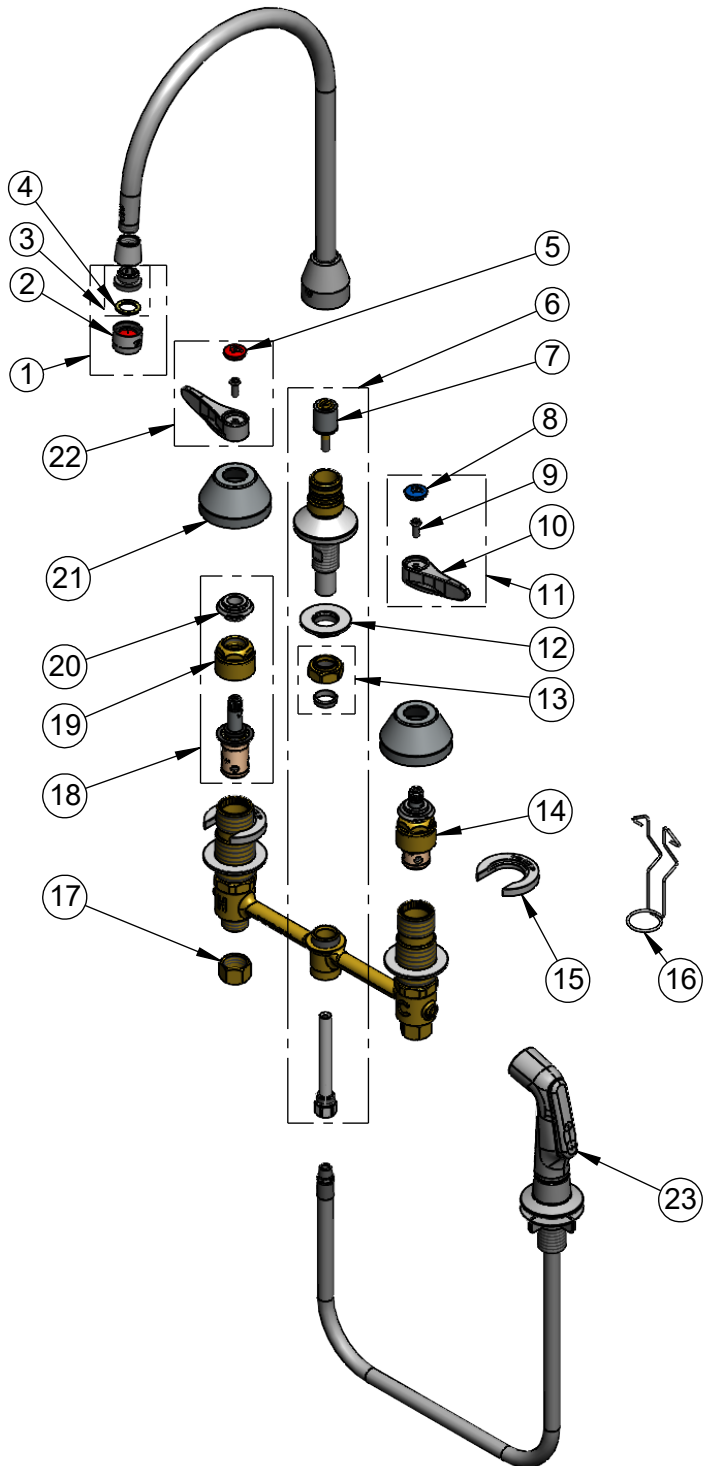
2 Saddleback Cove / P.O. Box 1088  
Travelers Rest, SC 29690

Model No.

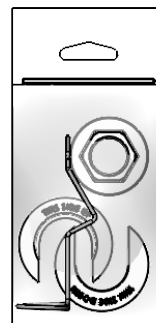
**B-2347-04**

Item No.

Travelers Rest, SC: 800-476-4103 • Simi Valley, CA: 800-423-0150 • Fax: 864-834-3518 • www.tsbrass.com



ITEM NO.	SALES NO.	DESCRIPTION
1	B-0199-02	2.2 GPM Aerator, 3/8" NPSM Male
2	B-0199-01	2.2 GPM Aerator, 55/64-27 UN Female
3	044A	3/8" to Aerator Adapter
4	001043-45	Washer
5	001193-19NS	Red Button Index, Press-in
6	017208-40NS	Center Body Diverter
7	002338-45	Diverter
8	018506-19NS	Blue Button Index, Press-in
9	000925-45	Lab Handle Screw
10	001638-45NS	Lever Handle (New Style)
11	001636-45NS	Lever Handle, Blue Index & Screw
12	016742-45	Center Flange Nut
13	016745-45	Compression Nut & Fitting
14	016752-40NS	EasyInstall, CWS Quarter-Turn Eterna Cartridge w/ Spring Check, LTC
15	016749-45	C-Washer
16	016777-45	CWS Hanger
17	000958-20	Coupling Nut
18	016753-40NS	EasyInstall, CWS Quarter-Turn Eterna Cartridge w/ Spring Check, RTC
19	016743-20	CWS Eterna Bonnet
20	009002-40NS	Packing Assembly (New Style)
21	001257-40NS	Bell Escutcheon
22	001637-45NS	Lever Handle, Red Index & Screw
23	001495-45NS	Sidespray w/ 4' Vinyl Hose & Hose Guide, New Style



**017245-40**  
Installation Repair Kit  
Includes #12, (2)#15 & #16

**Product Specifications:**

8" Concealed Widespread EasyInstall Mixing Faucet, 4' Sidespray, Lever Handles, Quarter-Turn Eterna Cartridges w/ Spring Checks, Swivel Gooseneck w/ 2.2 GPM Aerator and 1/2" NPT Male Inlets w/ Coupling Nuts

**Product Compliance:**

ASME A112.18.1 / CSA B125.1  
NSF 61 - Section 9  
NSF 372 (Low Lead Content)  
ANSI A117.1 (ADA)