



T&S BRASS AND BRONZE WORKS, INC.

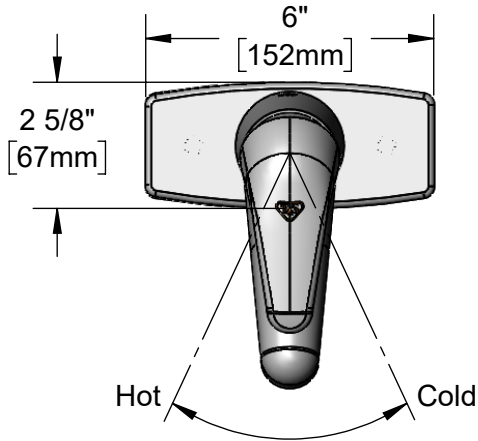
2 Saddleback Cove / P.O. Box 1088
Travelers Rest, SC 29690

Model No.

B-2703-LF15

Item No.

Travelers Rest, SC: 800-476-4103 • Simi Valley, CA: 800-423-0150 • Fax: 864-834-3518 • www.tsbrass.com



ADA Compliant



This Space for Architect/Engineer Approval

Job Name _____ Date _____

Model Specified _____ Quantity _____

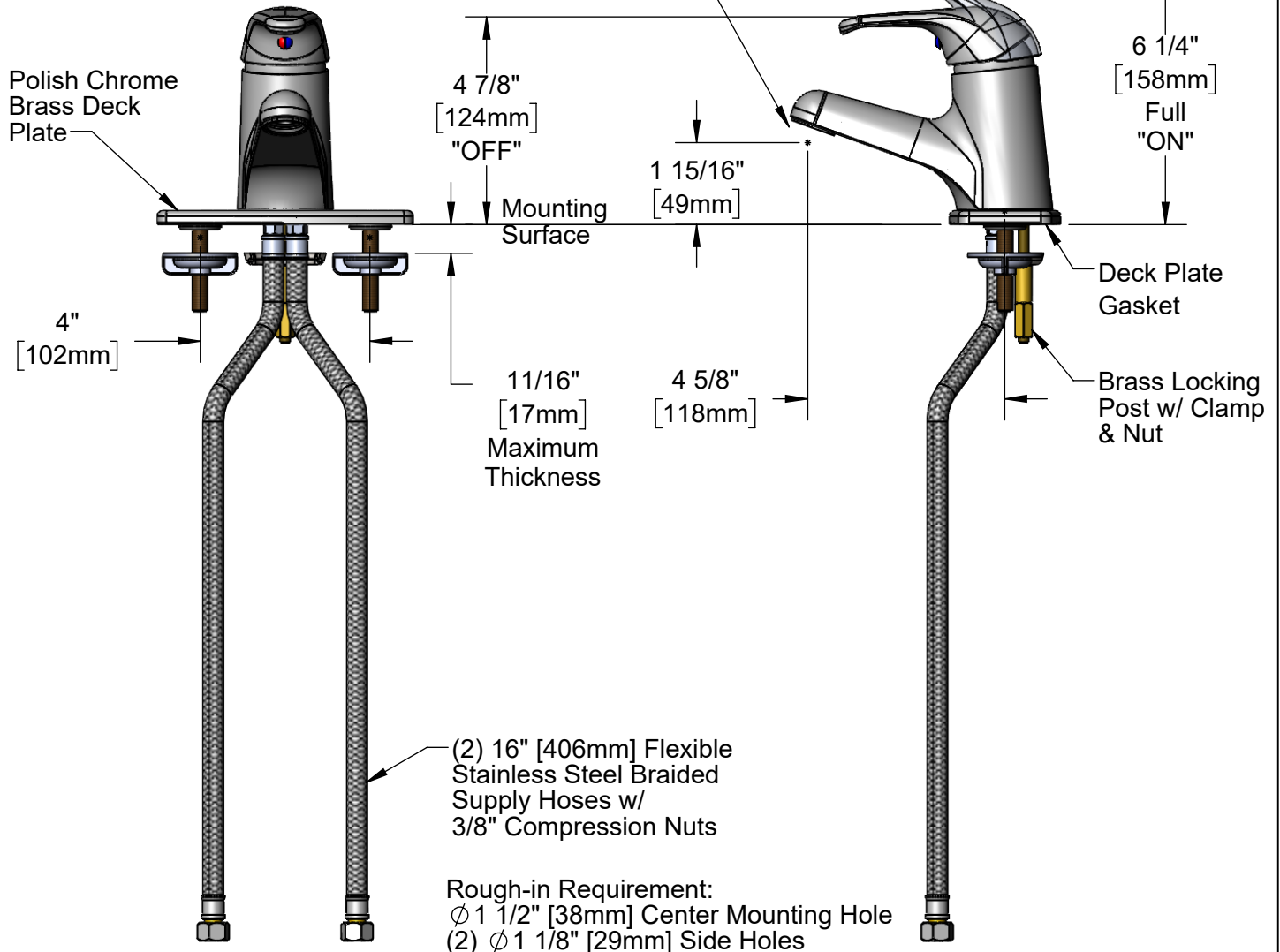
Customer/Wholesaler _____

Contractor _____

Architect/Engineer _____

B-0199-09-LF15

1.5 GPM
VR Laminar
Flow Device



Product Specifications:

Single Hole Single Lever Deck Mount Faucet, Ceramic Cartridge, Temperature Limit Stop, 1.5 GPM VR Laminar Flow Device, 4" Forged Deck Plate & (2) 16" Flexible Stainless Steel Braided Supply Hoses

Product Compliance:

ASME A112.18.1 / CSA B125.1
NSF 61 - Section 9
NSF 372 (Low Lead Content)
ANSI A117.1 (ADA)
EPA WaterSense



T&S BRASS AND BRONZE WORKS, INC.

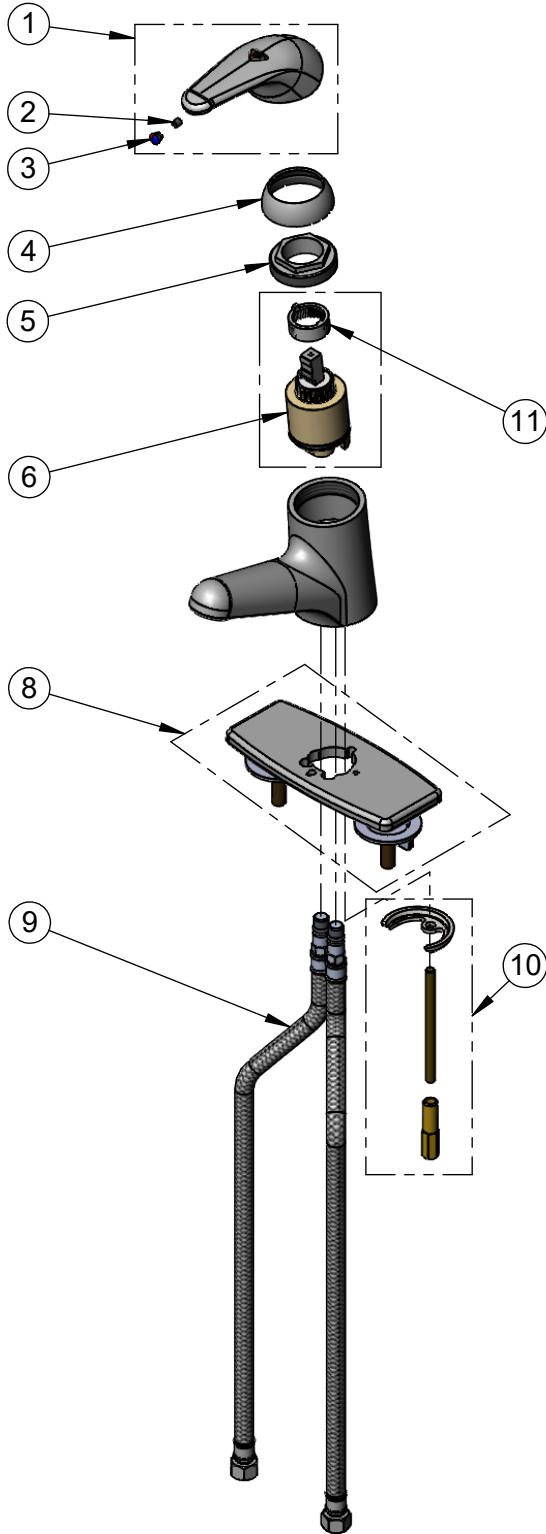
2 Saddleback Cove / P.O. Box 1088
Travelers Rest, SC 29690

Model No.

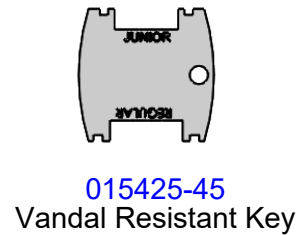
B-2703-LF15

Item No.

Travelers Rest, SC: 800-476-4103 • Simi Valley, CA: 800-423-0150 • Fax: 864-834-3518 • www.tsbrass.com



ITEM NO.	SALES NO.	DESCRIPTION
1	013113-45	Single Lever Handle
2	016675-45	Set Screw
3	014173-45	Temperature Index
4	016661-45	Trim Ring
5	016663-45	Locking Nut
6	013111-45	Ceramic Cartridge w/ Temperature Limit Stop
7	B-0199-09-LF15	VR 1.5 GPM Laminar Flow Device, 15/16-27 UN Male w/ Key
8	013433-40	4" Universal Deck Plate, Gasket & Mounting Hardware
9	016879-45	(2) 16" Flexible Stainless Steel Braided Supply Hoses w/ 3/8" Compression Nuts
10	019116-45	Mounting Hardware Kit
11	015400-45	Temperature Limit Stop



Product Specifications:

Single Hole Single Lever Deck Mount Faucet, Ceramic Cartridge, Temperature Limit Stop, 1.5 GPM VR Laminar Flow Device, 4" Forged Deck Plate & (2) 16" Flexible Stainless Steel Braided Supply Hoses

Product Compliance:

ASME A112.18.1 / CSA B125.1
NSF 61 - Section 9
NSF 372 (Low Lead Content)
ANSI A117.1 (ADA)
EPA WaterSense