



T&S BRASS AND BRONZE WORKS, INC.
 2 Saddleback Cove / P.O. Box 1088
 Travelers Rest, SC 29690

Model No.
B-2711-WS-VR

Item No.

Travelers Rest, SC: 800-476-4103 • Simi Valley, CA: 800-423-0150 • Fax: 864-834-3518 • www.tsbrass.com



ADA Compliant



This Space for Architect/Engineer Approval

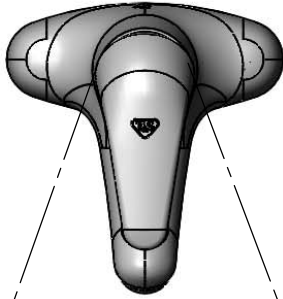
Job Name _____ Date _____

Model Specified _____ Quantity _____

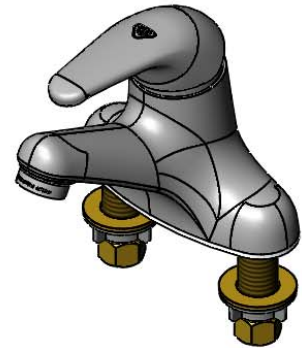
Customer/Wholesaler _____

Contractor _____

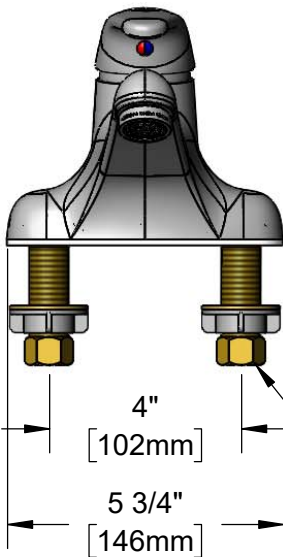
Architect/Engineer _____



Hot ← → Cold



B-0199-09-WS
 Vandal Resistant
 1.5 GPM Aerator



Mounting
 Surface

4 13/16"
 [122mm]
 "OFF"

2 1/4"
 [58mm]

5 15/16"
 [150mm]
 "Full ON"

2 5/16"
 [59mm]

4 3/8"
 [112mm]

1/2" NPSM Male
 Inlets w/ Coupling Nuts

Rough-In Requirement:
 (2) \varnothing 1" [25mm] Mounting Holes

Product Specifications:
 4" Deck Mount Single Lever Faucet, Temperature Limit Stop, Ceramic Cartridge, Vandal Resistant 1.5 GPM Aerator & 1/2" NPSM Male Inlets

Product Compliance:
 ASME A112.18.1 / CSA B125.1
 NSF 61 - Section 9
 NSF 372 (Low Lead Content)
 ANSI A117.1 (ADA)
 EPA WaterSense



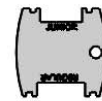
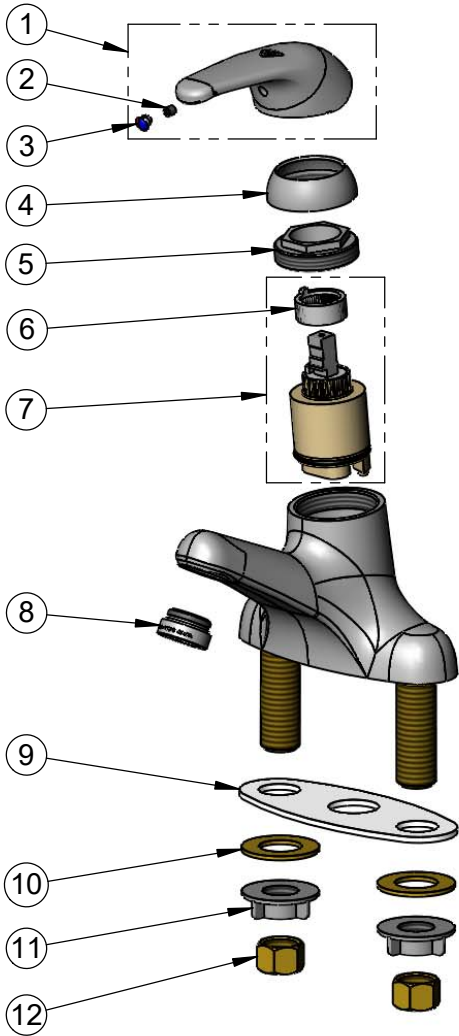
T&S BRASS AND BRONZE WORKS, INC.
 2 Saddleback Cove / P.O. Box 1088
 Travelers Rest, SC 29690

Model No.
B-2711-WS-VR

Item No.

Travelers Rest, SC: 800-476-4103 • Simi Valley, CA: 800-423-0150 • Fax: 864-834-3518 • www.tsbrass.com

ITEM NO.	SALES NO.	DESCRIPTION
1	013113-45	Single Lever Short Handle
2	016675-45	Set Screw
3	014173-45	Index, Temperature
4	016661-45	Trim Ring
5	016663-45	Locking Nut
6	015400-45	Temperature Limit Stop
7	013111-45	Single Lever Ceramic Cartridge
8	B-0199-09-WS	VR 1.5 GPM Aerator w/ VR Key
9	014167-45	Deck Gasket
10	000999-45	Brass Lock Washer
11	016673-45	Shank Nut
12	000958-20	Coupling Nut



015425-45
 Vandal Resistant Key
 (Included)

Product Specifications:
 4" Deck Mount Single Lever Faucet, Temperature Limit Stop, Ceramic Cartridge, Vandal Resistant 1.5 GPM Aerator & 1/2" NPSM Male Inlets

Product Compliance:
 ASME A112.18.1 / CSA B125.1
 NSF 61 - Section 9
 NSF 372 (Low Lead Content)
 ANSI A117.1 (ADA)
 EPA WaterSense