



T&S BRASS AND BRONZE WORKS, INC.

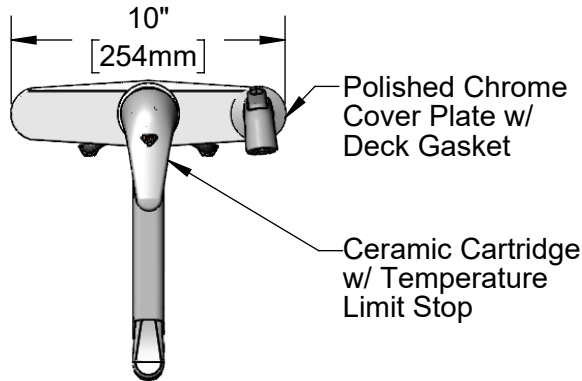
2 Saddleback Cove / P.O. Box 1088
Travelers Rest, SC 29690

Model No.

B-2730-3H

Item No.

Travelers Rest, SC: 800-476-4103 • Simi Valley, CA: 800-423-0150 • Fax: 864-834-3518 • www.tsbrass.com



This Space for Architect/Engineer Approval

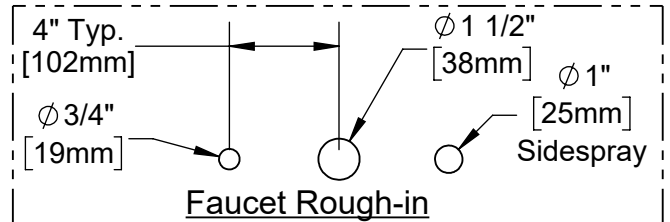
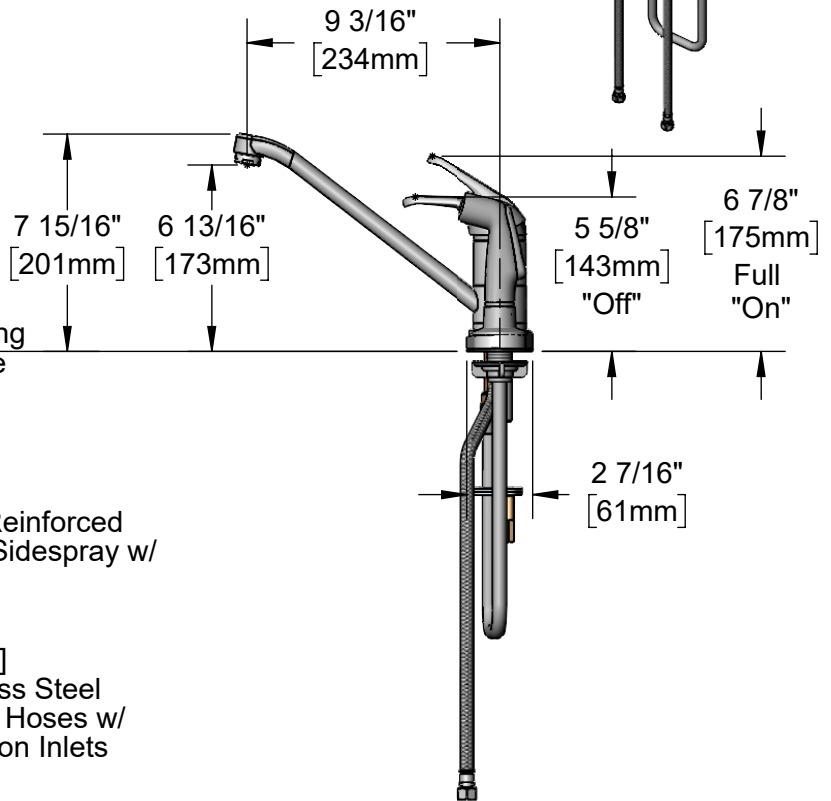
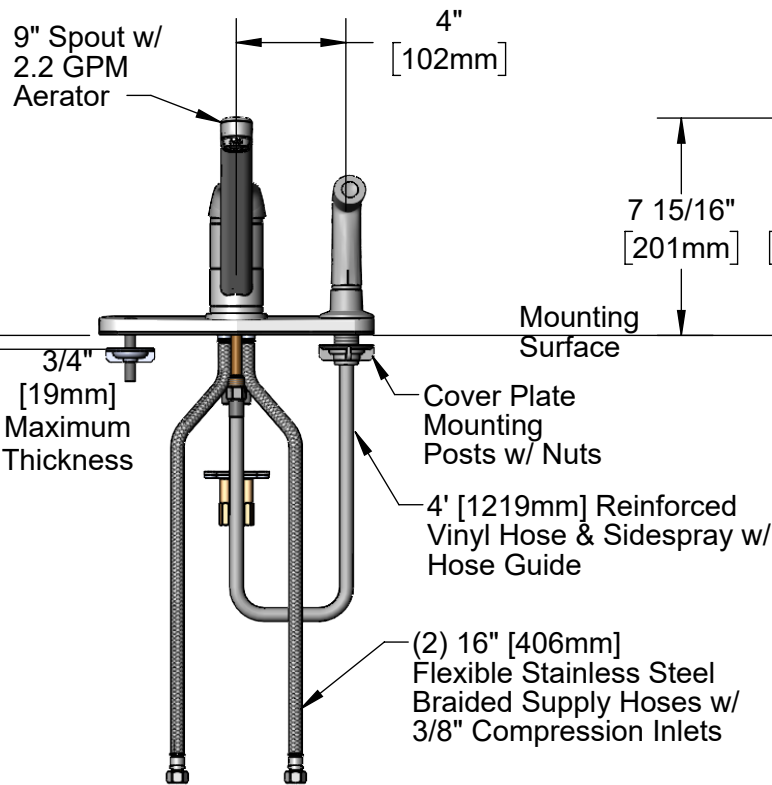
Job Name _____ Date _____

Model Specified _____ Quantity _____

Customer/Wholesaler _____

Contractor _____

Architect/Engineer _____



Product Specifications:
Single Lever Deck Mount Faucet w/ 9" Swivel Spout, Flexible Supplies, 10" Cover Plate w/ Sidespray Opening, 48" Sidespray, & Ceramic Cartridge w/ Temperature Limit Stop

Product Compliance:
ASME A112.18.1 / CSA B125.1
NSF 61 - Section 9
NSF 372 (Low Lead Content)
ANSI A117.1 (ADA)



T&S BRASS AND BRONZE WORKS, INC.

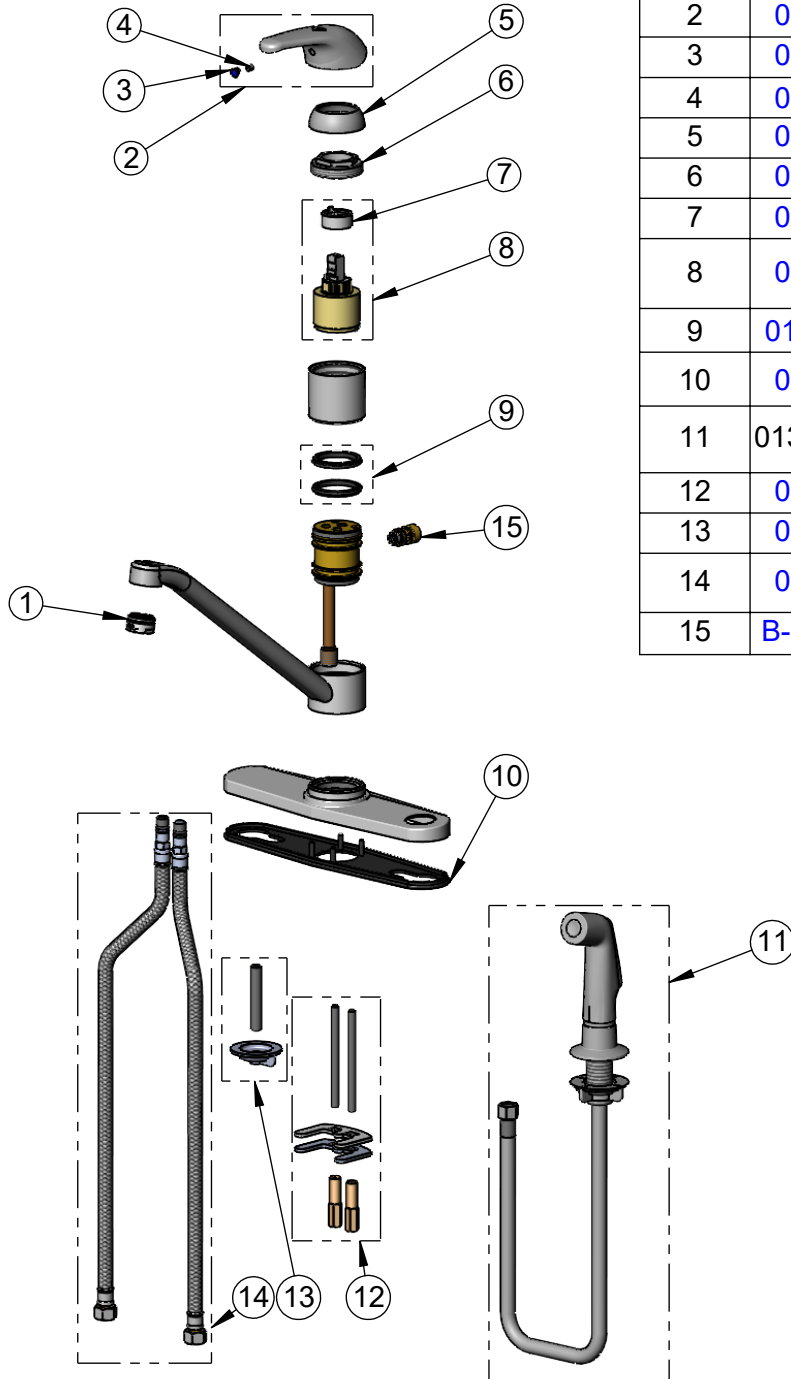
2 Saddleback Cove / P.O. Box 1088
Travelers Rest, SC 29690

Model No.

B-2730-3H

Item No.

Travelers Rest, SC: 800-476-4103 • Simi Valley, CA: 800-423-0150 • Fax: 864-834-3518 • www.tsbrass.com



ITEM NO.	SALES NO.	DESCRIPTION
1	B-0199-04	Aerator, 2.2 GPM - 15/16-27 Male
2	013113-45	Single Lever Short Handle
3	014173-45	Index, Temperature
4	016675-45	Set Screw
5	016661-45	Trim Ring
6	016663-45	Locking Nut
7	015400-45	Temperature Limit Stop
8	013080-45	Ceramic Cartridge w/ Temperature Limit Stop
9	017150-45K	Base Seal (2)
10	014160-45	Deck Plate Gasket, B-2730 & B-2731
11	013842-45NS	48" Sidespray w/ Hose Guide, 1/4-18 NPSM Female Connection (New Style)
12	014163-45	Center Mounting Kit
13	014162-45	Mounting Post & Nut Kit
14	016879-45	16" Flexible Stainless Steel Supply Hoses w/ 3/8" Compression Nuts
15	B-2730-DRK	Diverter Repair Kit

Product Specifications:

Single Lever Deck Mount Faucet w/ 9" Swivel Spout, Flexible Supplies, 10" Cover Plate w/ Sidespray Opening, 48" Sidespray, & Ceramic Cartridge w/ Temperature Limit Stop

Product Compliance:

ASME A112.18.1 / CSA B125.1
NSF 61 - Section 9
NSF 372 (Low Lead Content)
ANSI A117.1 (ADA)