



**T&S BRASS AND BRONZE WORKS, INC.**  
 2 Saddleback Cove / P.O. Box 1088  
 Travelers Rest, SC 29690

Model No.  
**B-2742-VF12**

Item No.

Travelers Rest, SC: 800-476-4103 • Simi Valley, CA: 800-423-0150 • Fax: 864-834-3518 • www.tsbrass.com



**ADA Compliant**

This Space for Architect/Engineer Approval

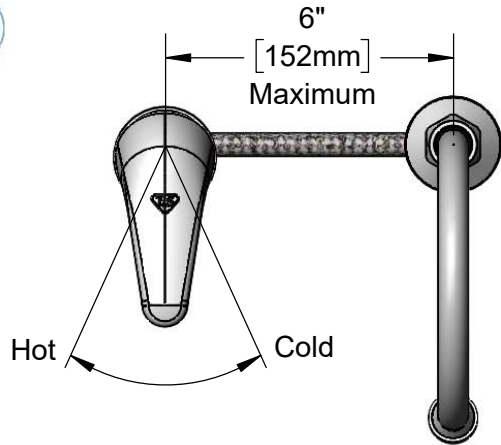
Job Name \_\_\_\_\_ Date \_\_\_\_\_

Model Specified \_\_\_\_\_ Quantity \_\_\_\_\_

Customer/Wholesaler \_\_\_\_\_

Contractor \_\_\_\_\_

Architect/Engineer \_\_\_\_\_



5 3/4" Swivel Gooseneck w/ B-0199-06-F12 VR 1.2 GPM Aerator. Rigid Conversion Requires 014200-45 Lock Washer (Included)

Ceramic Cartridge w/ Temperature Limit Stop

Temperature Index

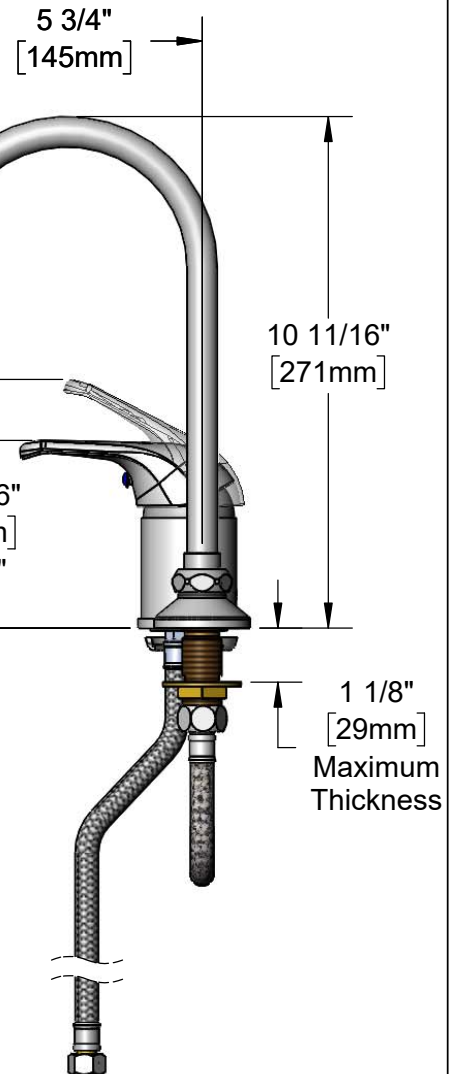
Ø 2 1/8" [54mm] Base

Brass Lock Nut & Threaded Locking Rod

Ø 2" [51mm] Base w/ 1/2" NPSM Male Inlet

13" Flexible Stainless Steel Outlet Hose w/ 1/2" NPSM Female Coupling

(2) 16" Flexible Stainless Steel Hoses w/ 3/8" Compression Swivel Ends



**Rough-in Requirement:**  
 Swivel Deck Flange: Ø 1" [25mm] Hole  
 Sidemount: Ø 1 1/2" [38mm] Hole

**Product Specifications:**  
 Single Lever Side Mount Remote On/Off Control Base Faucet, Ceramic Cartridge, Temperature Limit Stop, Swivel Gooseneck, Vandal Resistant 1.2 GPM Aerator & (2) 16" Flexible Stainless Steel Supply Hoses

**Product Compliance:**  
 ASME A112.18.1 / CSA B125.1  
 NSF 61 - Section 9  
 NSF 372 (Low Lead Content)  
 ANSI A117.1 (ADA)  
 EPA WaterSense

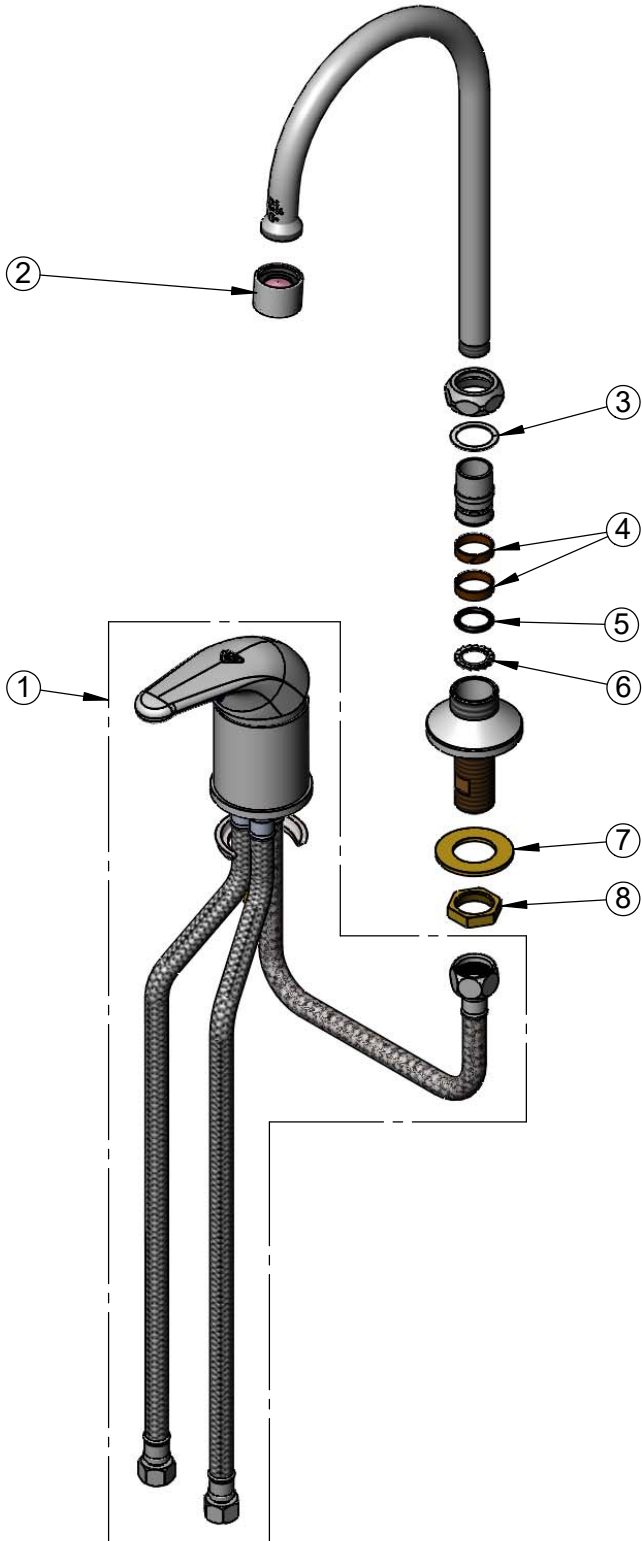


**T&S BRASS AND BRONZE WORKS, INC.**  
 2 Saddleback Cove / P.O. Box 1088  
 Travelers Rest, SC 29690

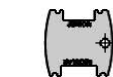
Model No.  
**B-2742-VF12**

Item No.

Travelers Rest, SC: 800-476-4103 • Simi Valley, CA: 800-423-0150 • Fax: 864-834-3518 • www.tsbrass.com



ITEM NO.	SALES NO.	DESCRIPTION
1	B-2740	Side Mount Single Lever Control Faucet
2	B-0199-06-F12	VR Aerator, 1.2 GPM, 55/64-27 Female
3	009538-45	Swivel Washer
4	011429-45	Swivel Sleeves (2)
5	001074-45	O-Ring
6	014200-45	Star Washer, Anti-Rotation
7	000999-45	Brass Lock Washer
8	002954-45	Shank Lock Nut



**015425-45**  
 Vandal Resistant Key

**Product Specifications:**  
 Single Lever Side Mount Remote On/Off Control Base Faucet, Ceramic Cartridge, Temperature Limit Stop, Swivel Gooseneck, Vandal Resistant 1.2 GPM Aerator & (2) 16" Flexible Stainless Steel Supply Hoses

**Product Compliance:**  
 ASME A112.18.1 / CSA B125.1  
 NSF 61 - Section 9  
 NSF 372 (Low Lead Content)  
 ANSI A117.1 (ADA)  
 EPA WaterSense