



**T&S BRASS AND BRONZE WORKS, INC.**  
 2 Saddleback Cove / P.O. Box 1088  
 Travelers Rest, SC 29690

Model No.  
**B-2743**

Item No.

Travelers Rest, SC: 800-476-4103 • Simi Valley, CA: 800-423-0150 • Fax: 864-834-3518 • www.tsbrass.com



**ADA Compliant**

This Space for Architect/Engineer Approval

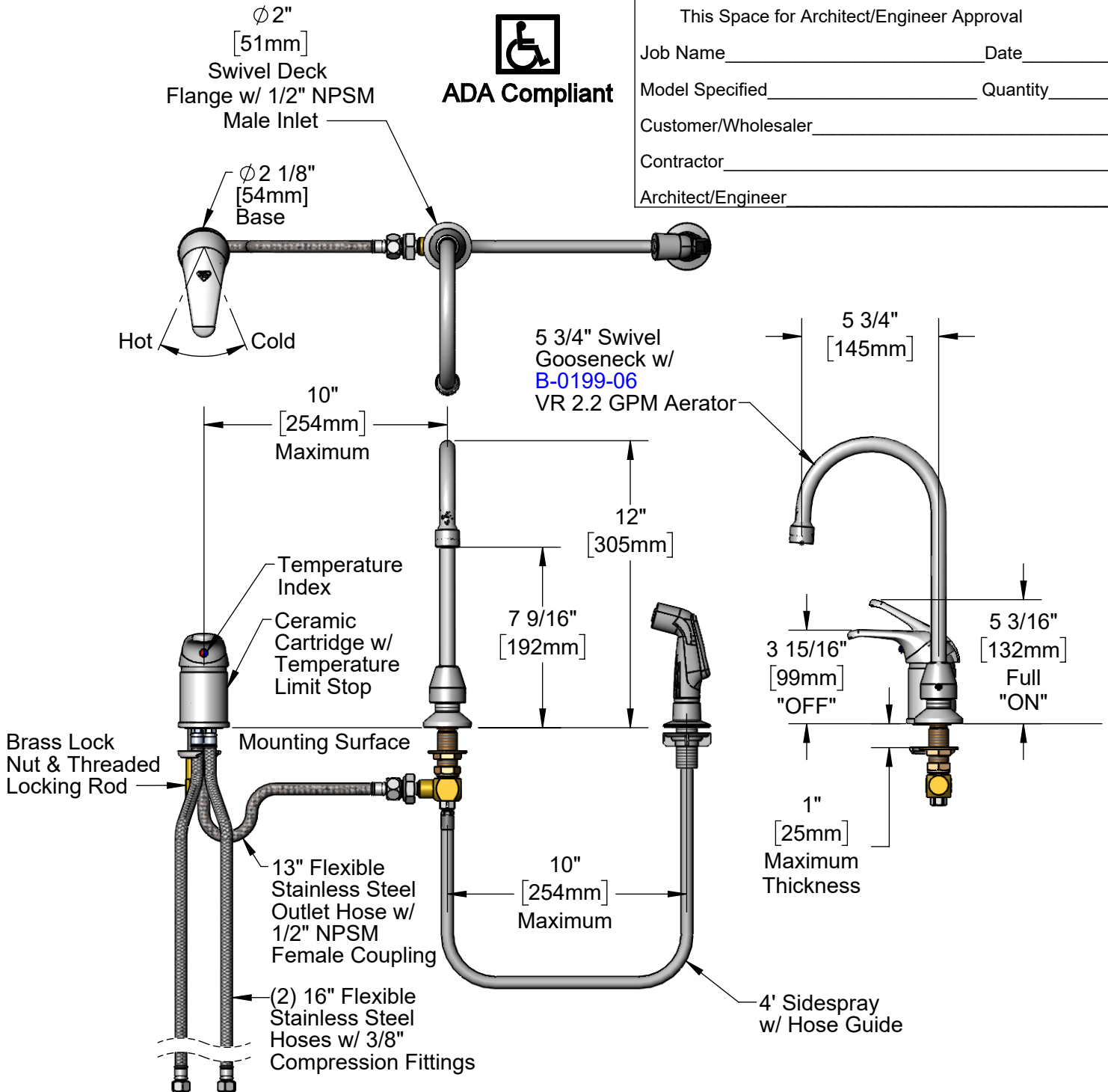
Job Name \_\_\_\_\_ Date \_\_\_\_\_

Model Specified \_\_\_\_\_ Quantity \_\_\_\_\_

Customer/Wholesaler \_\_\_\_\_

Contractor \_\_\_\_\_

Architect/Engineer \_\_\_\_\_



**Rough-In Requirement:**  
 Side Mount:  $\phi$  1 1/2" [38mm] Mounting Hole  
 Swivel Deck Flange & Sidespray:  $\phi$  1" [25mm] Mounting Holes

**Product Specifications:**  
 Single Lever Side Mount Faucet, Ceramic Cartridge, Remote On/Off Control Base, Swivel Gooseneck, Vandal Resistant 2.2 GPM Aerator, 4' Sidespray & (2) 16" Flexible Stainless Steel Supply Hoses

**Product Compliance:**  
 ASME A112.18.1 / CSA B125.1  
 NSF 61 - Section 9  
 NSF 372 (Low Lead Content)  
 ANSI A117.1 (ADA)



# T&S BRASS AND BRONZE WORKS, INC.

2 Saddleback Cove / P.O. Box 1088  
Travelers Rest, SC 29690

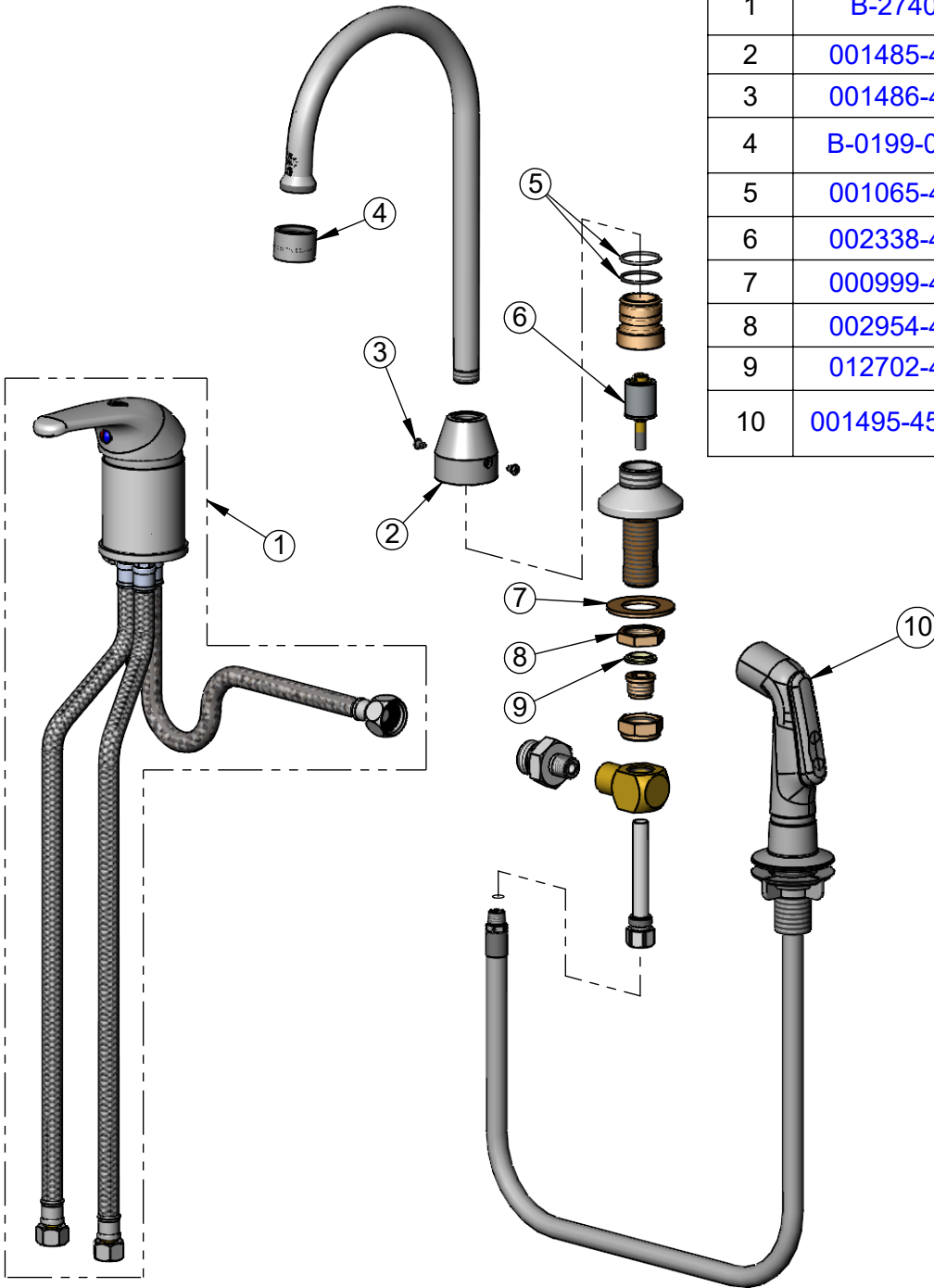
Model No.

**B-2743**

Item No.

Travelers Rest, SC: 800-476-4103 • Simi Valley, CA: 800-423-0150 • Fax: 864-834-3518 • www.tsbrass.com

ITEM NO.	SALES NO.	DESCRIPTION
1	B-2740	Side Mount Single Lever Control Faucet
2	001485-40	Diverter Cover
3	001486-45	Diverter Cover Screw
4	B-0199-06	VR 2.2 GPM Aerator, 55/64-27 UN Female w/ Key
5	001065-45	O-Ring
6	002338-45	Valve Diverter Piston
7	000999-45	Brass Lock Washer
8	002954-45	Shank Lock Nut
9	012702-45	Washer, Cross Body
10	001495-45NS	4' Sidespray & Hose Guide, New Style



**015425-45**

Vandal Resistant Key

**Product Specifications:**

Single Lever Side Mount Faucet, Ceramic Cartridge, Remote On/Off Control Base, Swivel Gooseneck, Vandal Resistant 2.2 GPM Aerator, 4' Sidespray & (2) 16" Flexible Stainless Steel Supply Hoses

**Product Compliance:**

ASME A112.18.1 / CSA B125.1  
NSF 61 - Section 9  
NSF 372 (Low Lead Content)  
ANSI A117.1 (ADA)