



T&S BRASS AND BRONZE WORKS, INC.

2 Saddleback Cove / P.O. Box 1088
Travelers Rest, SC 29690

Model No.

B-2820-PA

Item No.

Travelers Rest, SC: 800-476-4103 • Simi Valley, CA: 800-423-0150 • Fax: 864-834-3518 • www.tsbrass.com

This Space for Architect/Engineer Approval

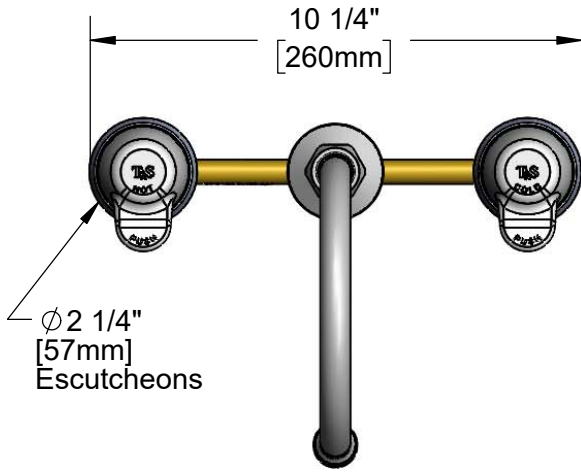
Job Name _____ Date _____

Model Specified _____ Quantity _____

Customer/Wholesaler _____

Contractor _____

Architect/Engineer _____

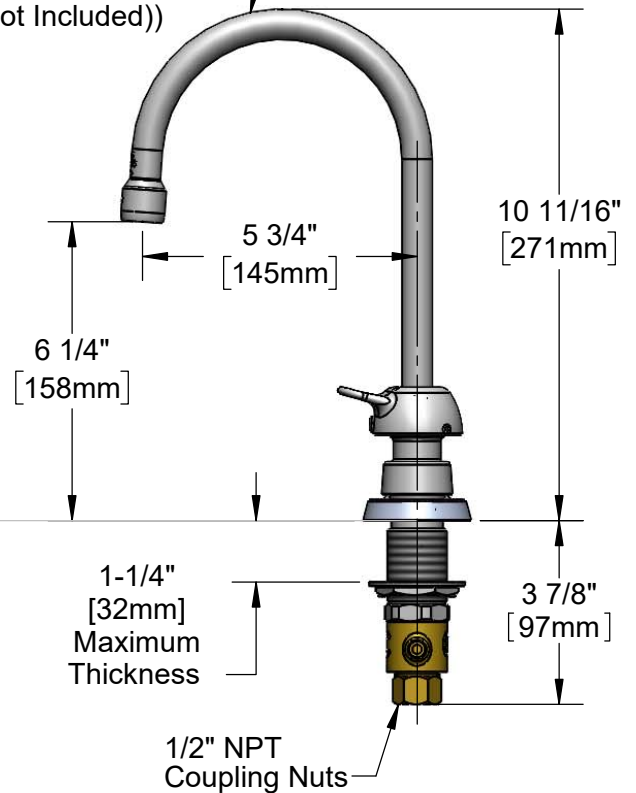
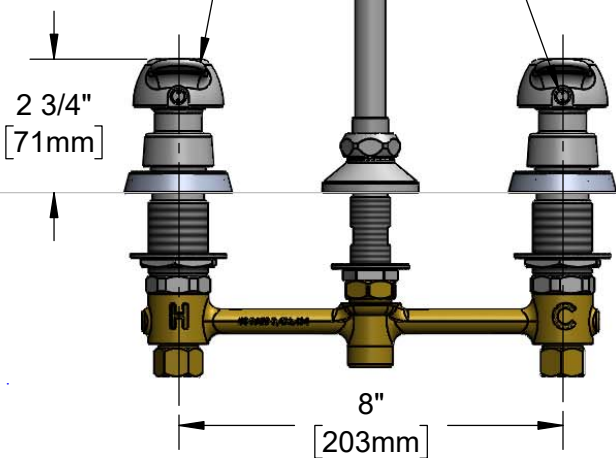


ADA Compliant

Vandal Resistant Screw.
Loosen Screw (Do Not Remove) and
Flip Handle Up to Access Metering
Adjustment. (Metering Adjustment
Requires 3/32" Hex Key (Not Included))

133X-A22
Swivel Gooseneck w/
2.2 GPM Aerator.
Rigid Conversion Requires
014200-25 Lock Washer
(Included)

238AH-PA (Hot Side)
238AC-PA (Cold Side)
Pivot Action Metering
w/ Hot & Cold Handles
and VR Screws



Rough-In Requirement:
Ø 1" [25mm] for Center Shank
Ø 1-1/2" [38mm] for Hot/Cold Side

Product Specifications:

EasyInstall 8" Concealed Widespread Mixing Faucet, Pivot Action Metering Assembly, 5 3/4" Swivel/Rigid Gooseneck w/ 2.2 GPM Aerator & 1/2" NPT Male Inlets w/ Coupling Nuts

Product Compliance:

ASME A112.18.1 / CSA B125.1
NSF 61 - Section 9
NSF 372 (Low Lead Content)
ANSI A117.1 (ADA)

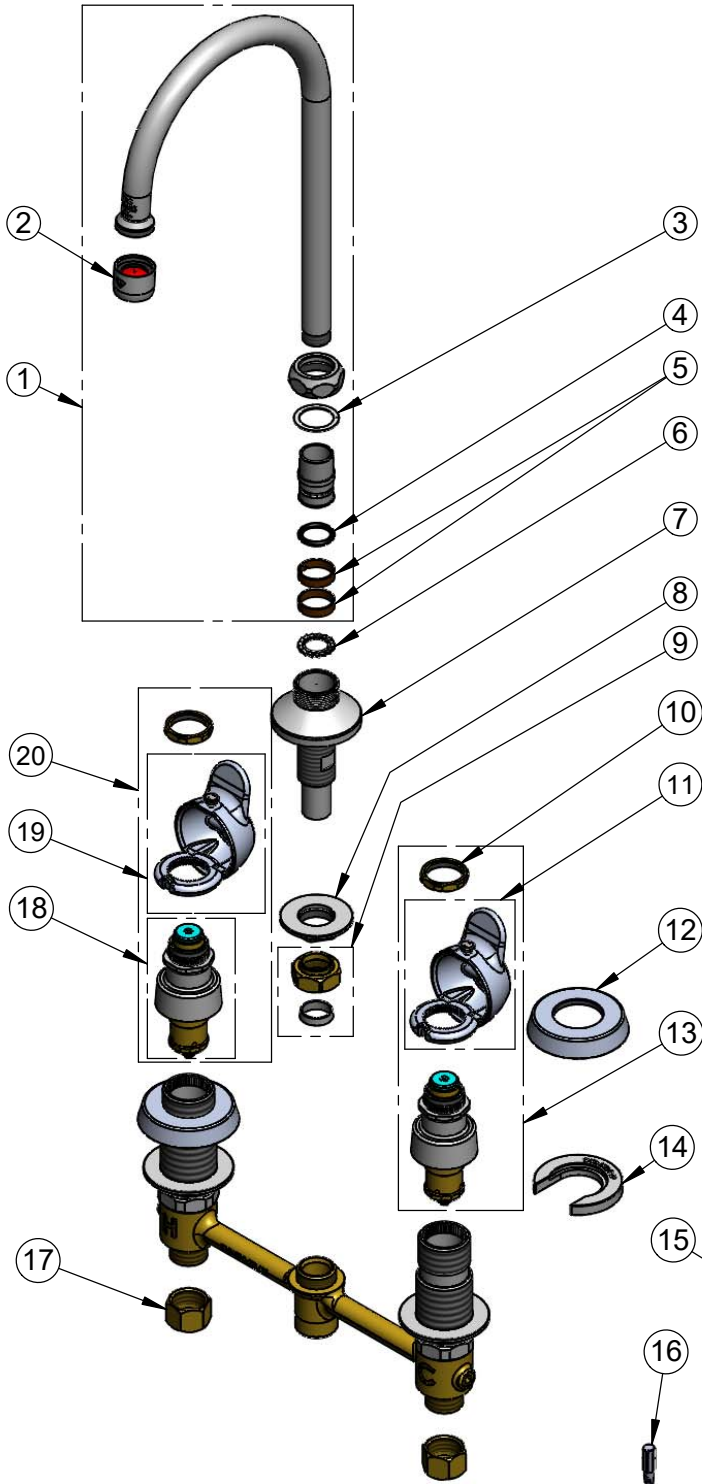


T&S BRASS AND BRONZE WORKS, INC.
 2 Saddleback Cove / P.O. Box 1088
 Travelers Rest, SC 29690

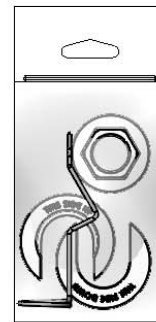
Model No.
B-2820-PA

Item No.

Travelers Rest, SC: 800-476-4103 • Simi Valley, CA: 800-423-0150 • Fax: 864-834-3518 • www.tsbrass.com



ITEM NO.	SALES NO.	DESCRIPTION
1	133X-A22	5 3/4" Swivel/Rigid Gooseneck w/ 2.2 GPM Aerator
2	B-0199-01	2.2 GPM Aerator, 55/64-27 UN Female
3	009538-45	Swivel Washer
4	001074-45	O-Ring
5	011429-45	Swivel Sleeves (2)
6	014200-45	Star Washer, Anti-Rotation
7	016754-40	EasyInstall CWS Swivel Center Shank
8	016742-45	Center Flange Nut
9	016745-45	Compression Nut & Fitting
10	PA-N	Retaining Nut
11	PA-C	Cold Pivot Action Handle Assembly w/ Retaining Nut & Spanner Bit
12	017292-45	Metering CWS Escutcheon
13	238AC-PA	Pivot Action Metering Cartridge w/ Cold Pivot Action Handle, Retaining Nut & Spanner Bit
14	016749-45	Sidebody C-Washer
15	016777-45	CWS Hanger
16	014734-45	#8 Spanner Bit
17	000958-20	Coupling Nut
18	238A-PA	Pivot Action Metering Cartridge w/ Retaining Nut
19	PA-H	Hot Pivot Action Handle Assembly w/ Retaining Nut & Spanner Bit
20	238AH-PA	Pivot Action Metering Cartridge w/ Hot Pivot Action Handle, Retaining Nut & Spanner Bit



017245-40
 Installation Repair Kit
 Includes #8, (2)#14, & #15

Product Specifications:
 EasyInstall 8" Concealed Widespread Mixing Faucet, Pivot Action Metering Assembly, 5 3/4" Swivel/Rigid Gooseneck w/ 2.2 GPM Aerator & 1/2" NPT Male Inlets w/ Coupling Nuts

Product Compliance:
 ASME A112.18.1 / CSA B125.1
 NSF 61 - Section 9
 NSF 372 (Low Lead Content)
 ANSI A117.1 (ADA)