



T&S BRASS AND BRONZE WORKS, INC.

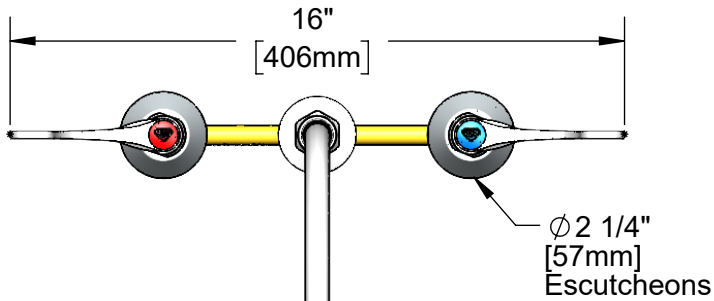
2 Saddleback Cove / P.O. Box 1088
Travelers Rest, SC 29690

Model No.

B-2862

Item No.

Travelers Rest, SC: 800-476-4103 • Simi Valley, CA: 800-423-0150 • Fax: 864-834-3518 • www.tsbrass.com



This Space for Architect/Engineer Approval

Job Name _____ Date _____

Model Specified _____ Quantity _____

Customer/Wholesaler _____

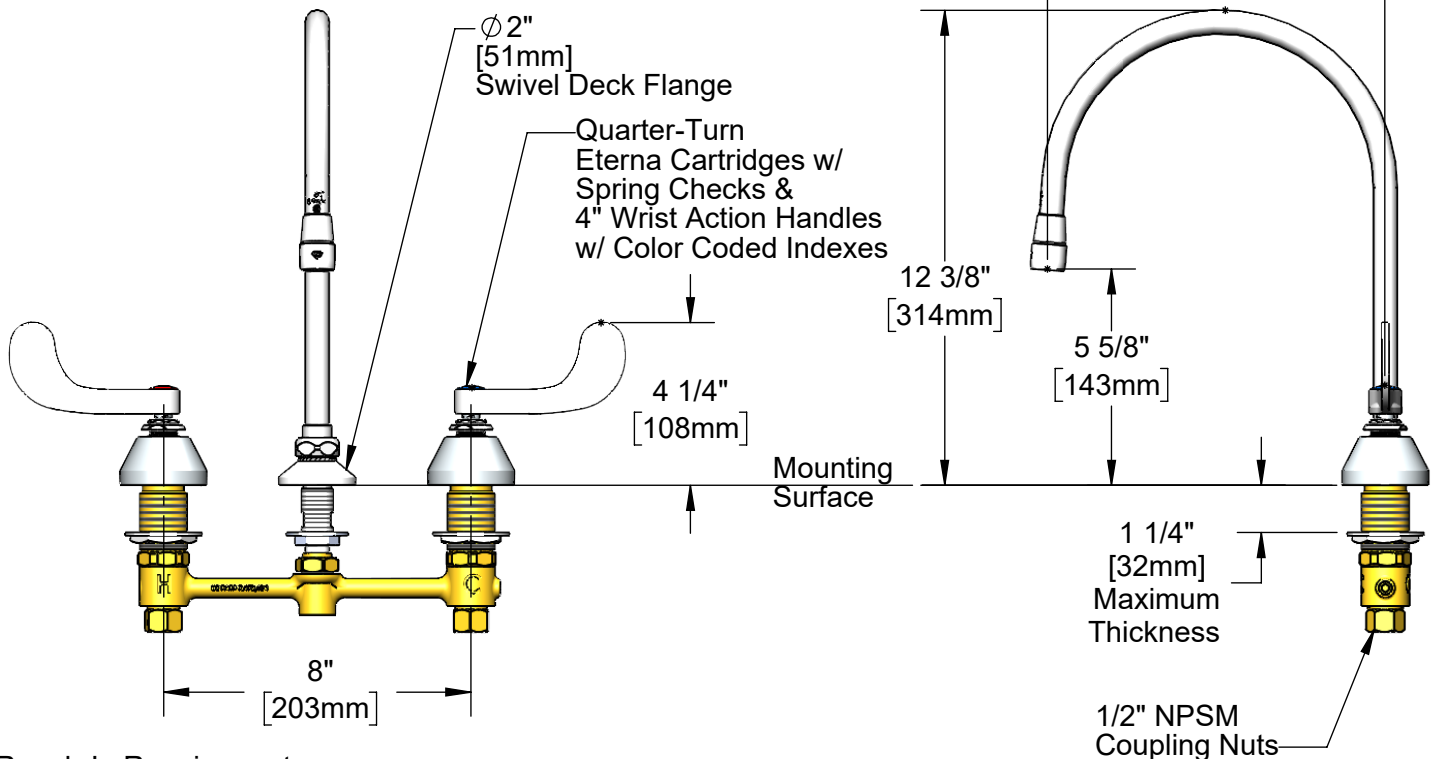
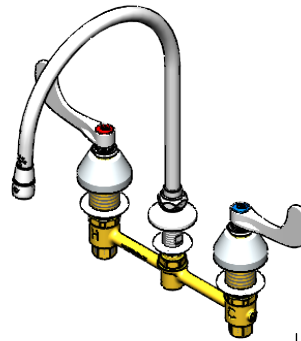
Contractor _____

Architect/Engineer _____



ADA Compliant

Swivel/Rigid Gooseneck
w/ B-0199-02 2.2 GPM
Aerator. Rigid Conversion
Requires 014200-45 Lock
Washer (Included)



Rough-In Requirement:

Ø 1" [25mm] for Center Shank

Ø 1 1/2" [38mm] for Hot/Cold Side

Product Specifications:

8" Concealed Widespread EasyInstall Mixing Faucet, Wrist Action
Handles, Quarter-Turn Eterna Cartridges w/ Spring Checks, Swivel/Rigid
Gooseneck w/ 2.2 GPM Aerator and 1/2" NPT Male Inlets

Product Compliance:

ASME A112.18.1 / CSA B125.1
NSF 61 - Section 9
NSF 372 (Low Lead Content)
ANSI A117.1 (ADA)

Drawn: KJG

Checked: JRM

Approved: JHB

Date: 04/15/24

Scale: 1:5

Sheet: 1 of 2



T&S BRASS AND BRONZE WORKS, INC.

2 Saddleback Cove / P.O. Box 1088
Travelers Rest, SC 29690

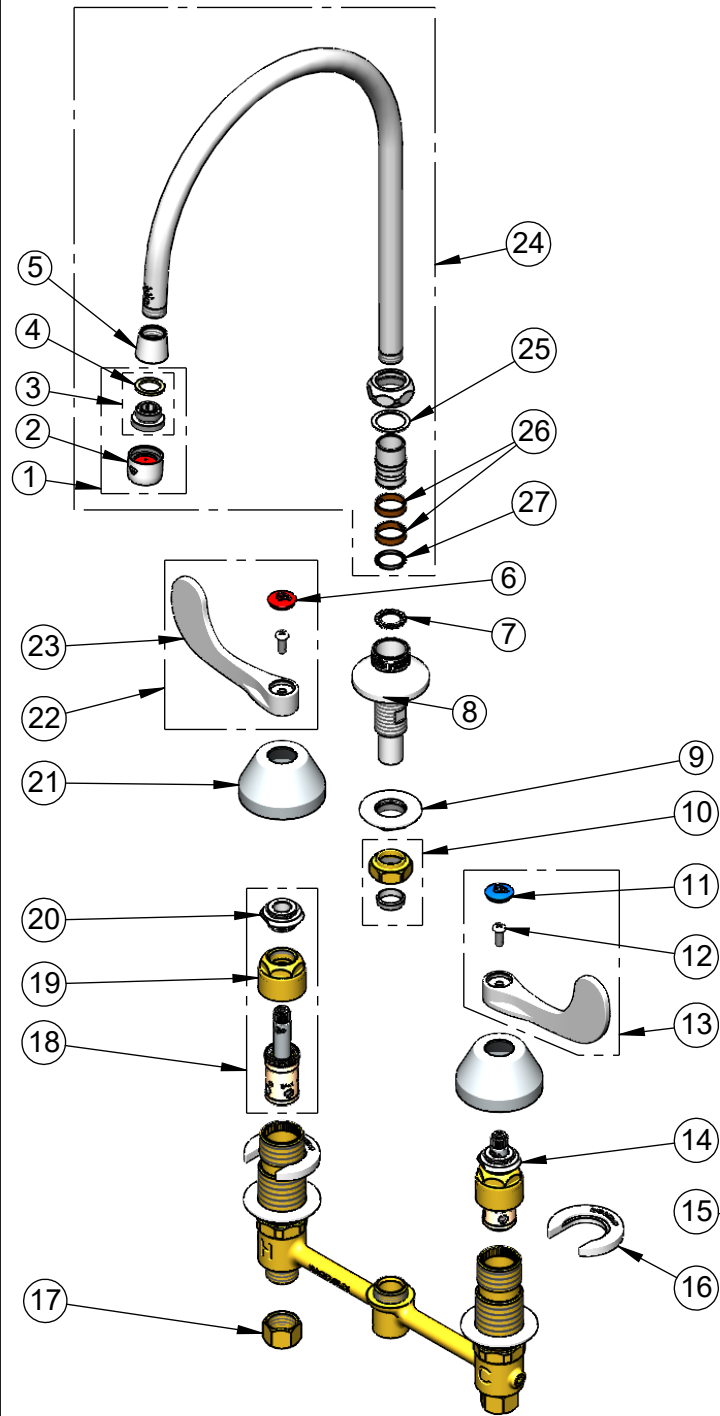
Model No.

B-2862

Item No.

Travelers Rest, SC: 800-476-4103 • Simi Valley, CA: 800-423-0150 • Fax: 864-834-3518 • www.tsbrass.com

ITEM NO.	SALES NO.	DESCRIPTION
1	B-0199-02	2.2 GPM Aerator, 3/8 NPSM Male
2	B-0199-01	2.2 GPM Aerator, 55/64-27 UN Female
3	044A	3/8" to Aerator Adapter
4	001043-45	Washer
5	020205-40	Adapter, 5/8-27 UN x 3/8-18 NPSM
6	001193-19NS	Red Button Index, Press-in
7	014200-45	Star Washer, Anti-Rotation
8	016754-40NS	EasyInstall CWS Swivel Center Shank (New Style)
9	016742-45	Center Flange Nut
10	016745-45	Compression Nut & Fitting
11	018506-19NS	Blue Button Index, Press-in
12	000925-45	Lab Handle Screw
13	B-WH4C-NS	Wrist Action Handle, Blue Index & Screw
14	016752-40NS	EasyInstall, CWS Quarter-Turn Eterna Cartridge w/ Spring Check, LTC
15	016777-45	CWS Hanger
16	016749-45	Sidebody C-Washer
17	000958-20	Coupling Nut
18	016753-40NS	EasyInstall, CWS Quarter-Turn Eterna Cartridge w/ Spring Check, RTC
19	016743-20	Eterna Bonnet - EXTENDED
20	009002-40NS	Packing Assembly (New Style)
21	001257-40NS	Bell Escutcheon
22	B-WH4H-NS	Wrist Action Handle, Red Index & Screw
23	B-WH4-NS	Wrist Action Handle - New Style
24	135X-A22	8 13/16" Swivel/Rigid Gooseneck w/ 2.2 GPM Aerator
25	009538-45	Swivel Washer
26	011429-45	Swivel Sleeves (2)
27	001074-45	O-Ring



017245-40
Installation Repair Kit
Includes #9, #15, & (2)#16

Product Specifications:
8" Concealed Widespread EasyInstall Mixing Faucet, Wrist Action Handles, Quarter-Turn Eterna Cartridges w/ Spring Checks, Swivel/Rigid Gooseneck w/ 2.2 GPM Aerator and 1/2" NPT Male Inlets

Product Compliance:
ASME A112.18.1 / CSA B125.1
NSF 61 - Section 9
NSF 372 (Low Lead Content)
ANSI A117.1 (ADA)