



T&S BRASS AND BRONZE WORKS, INC.

2 Saddleback Cove / P.O. Box 1088
Travelers Rest, SC 29690

Model No.

B-2863

Item No.

Travelers Rest, SC: 800-476-4103 • Simi Valley, CA: 800-423-0150 • Fax: 864-834-3518 • www.tsbrass.com

This Space for Architect/Engineer Approval

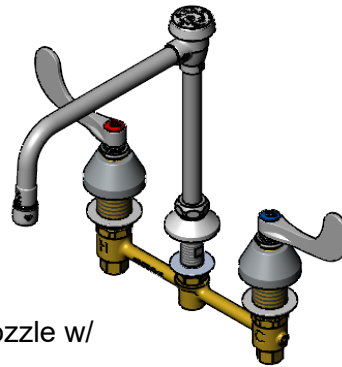
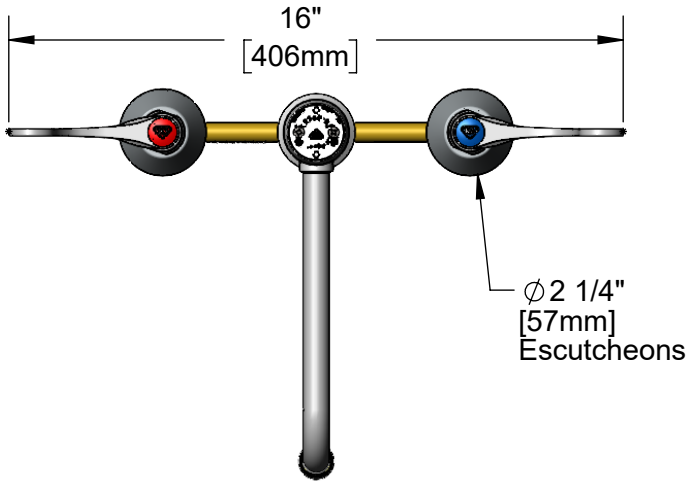
Job Name _____ Date _____

Model Specified _____ Quantity _____

Customer/Wholesaler _____

Contractor _____

Architect/Engineer _____



ADA Compliant

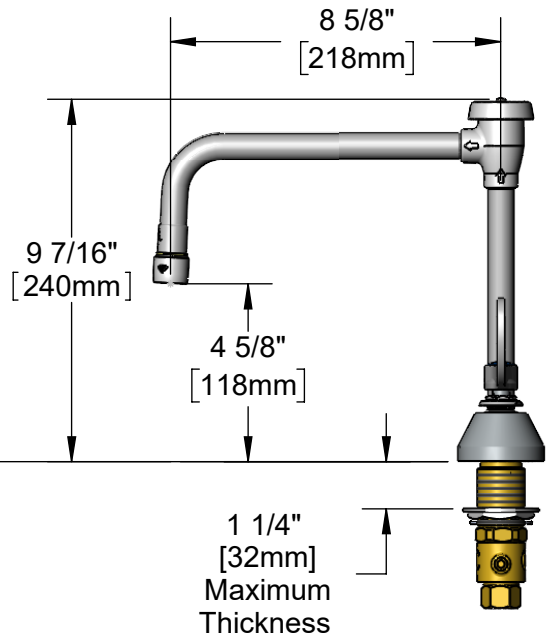
Vacuum Breaker Swing Nozzle w/
B-0199-02
2.2 GPM Aerator.
Rigid Conversion Requires
014200-45 Lock Washer
(Included)

Ø 2"
[51mm]
Swivel Deck
Flange

Quarter-Turn
Eterna Cartridges w/
Spring Checks &
4" Wrist Action Handles
w/ Color Coded Indexes

4 1/4"
[108mm]

Mounting
Surface



8"
[203mm]

1/2" NPSM
Coupling Nuts

Rough-In Requirement:

Ø 1" [25mm] for Center Shank

Ø 1 1/2" [38mm] for Hot/Cold Side

Product Specifications:

8" Concealed Widespread EasyInstall Mixing Faucet, 4" Wrist Action Handles, Quarter-Turn Eterna Cartridges w/ Spring Checks, Vacuum Breaker Swing Nozzle w/ 2.2 GPM Aerator and 1/2" NPT Male Inlets

Product Compliance:

ASME A112.18.1 / CSA B125.1
NSF 61 - Section 9
NSF 372 (Low Lead Content)
ANSI A117.1 (ADA)
ASSE 1001 (VB)



T&S BRASS AND BRONZE WORKS, INC.

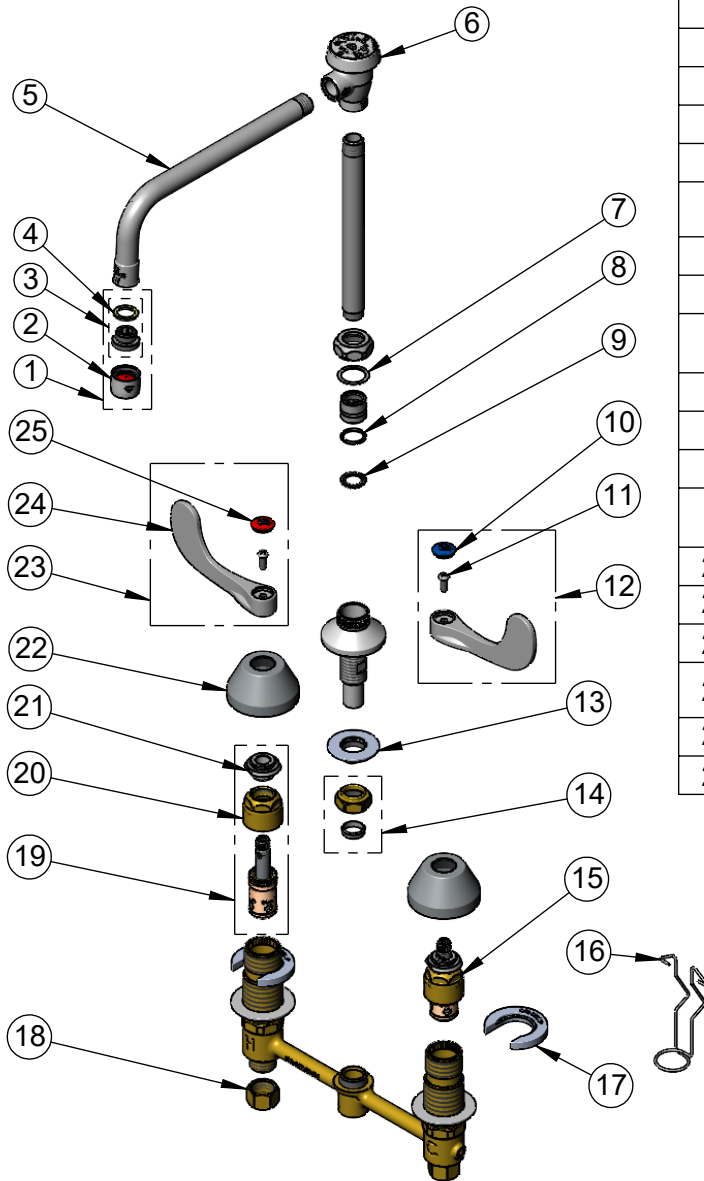
2 Saddleback Cove / P.O. Box 1088
Travelers Rest, SC 29690

Model No.

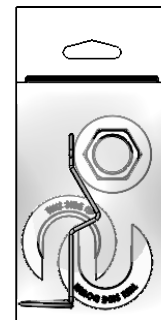
B-2863

Item No.

Travelers Rest, SC: 800-476-4103 • Simi Valley, CA: 800-423-0150 • Fax: 864-834-3518 • www.tsbrass.com



ITEM NO.	SALES NO.	DESCRIPTION
1	B-0199-02	2.2 GPM Aerator, 3/8" NPSM Male
2	B-0199-01	2.2 GPM Aerator, 55/64-27 UN Female
3	044A	3/8" to Aerator Adapter
4	001043-45	Washer
5	071X	8" Nozzle
6	B-0968	3/8" NPT Vacuum Breaker
7	009538-45	Swivel Washer
8	001074-45	O-Ring
9	014200-45	Star Washer, Anti-Rotation
10	018506-19NS	Blue Button Index, Press-in
11	000925-45	Lab Handle Screw
12	B-WH4C-NS	Wrist Action Handle, Blue Index & Screw
13	016742-45	Center Flange Nut
14	016745-45	Compression Nut & Fitting
15	016752-40NS	EasyInstall, CWS Quarter-Turn Eterna Cartridge w/ Spring Check, LTC
16	016777-45	CWS Hanger
17	016749-45	Sidebody C-Washer
18	000958-20	Coupling Nut
19	016753-40NS	EasyInstall, CWS Quarter-Turn Eterna Cartridge w/ Spring Check, RTC
20	016743-20	Eterna Bonnet - EXTENDED
21	009002-40NS	Packing Assembly (New Style)
22	001257-40NS	Bell Escutcheon
23	B-WH4H-NS	Wrist Action Handle, Red Index & Screw
24	B-WH4-NS	Wrist Action Handle - New Style
25	001193-19NS	Red Button Index, Press-in



017245-40
Installation Repair Kit
Includes #13, (2)#17, & #16

Product Specifications:

8" Concealed Widespread EasyInstall Mixing Faucet, 4" Wrist Action Handles, Quarter-Turn Eterna Cartridges w/ Spring Checks, Vacuum Breaker Swing Nozzle w/ 2.2 GPM Aerator and 1/2" NPT Male Inlets

Product Compliance:

ASME A112.18.1 / CSA B125.1
NSF 61 - Section 9
NSF 372 (Low Lead Content)
ANSI A117.1 (ADA)
ASSE 1001 (VB)