



# T&S BRASS AND BRONZE WORKS, INC.

2 Saddleback Cove / P.O. Box 1088  
Travelers Rest, SC 29690

Model No.

**B-2866-04**

Item No.

Travelers Rest, SC: 800-476-4103 • Simi Valley, CA: 800-423-0150 • Fax: 864-834-3518 • www.tsbrass.com



**ADA Compliant**

This Space for Architect/Engineer Approval

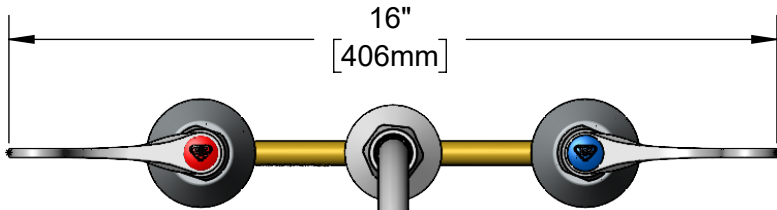
Job Name \_\_\_\_\_ Date \_\_\_\_\_

Model Specified \_\_\_\_\_ Quantity \_\_\_\_\_

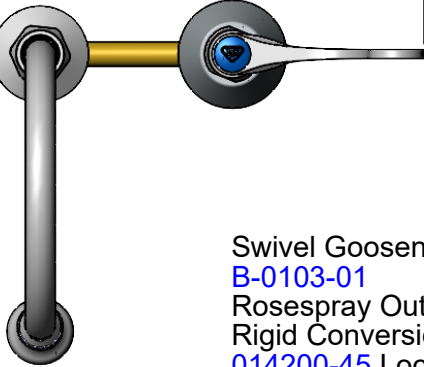
Customer/Wholesaler \_\_\_\_\_

Contractor \_\_\_\_\_

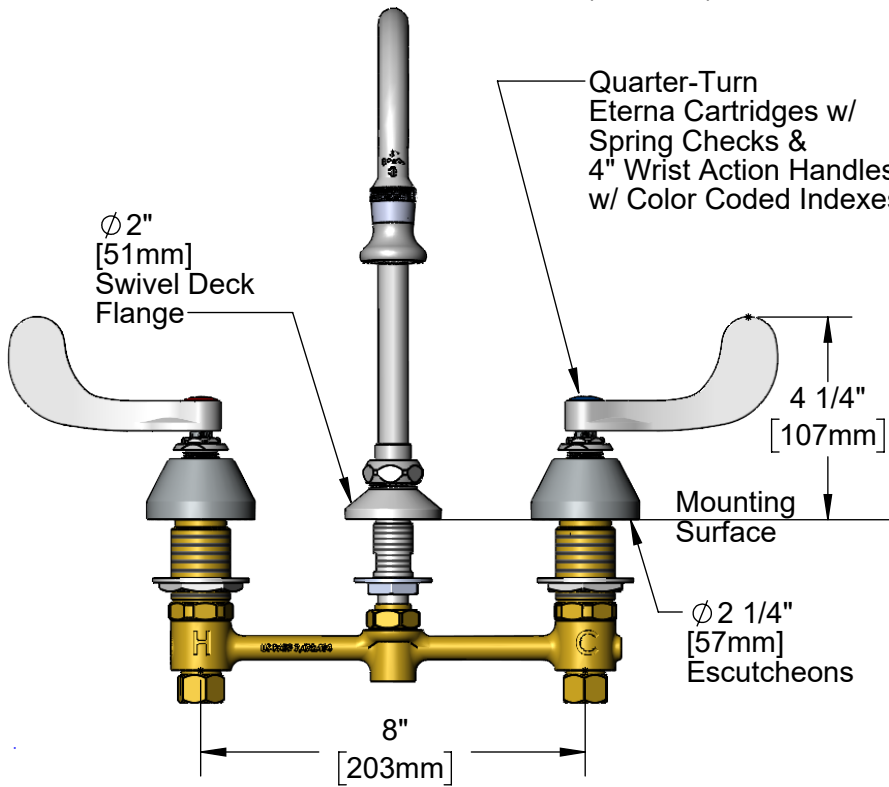
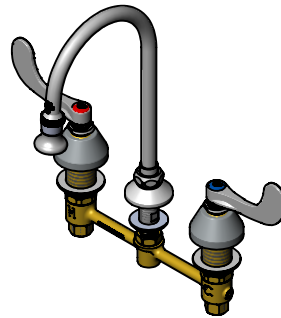
Architect/Engineer \_\_\_\_\_



16"  
[406mm]



Swivel Gooseneck w/  
**B-0103-01**  
Rosespray Outlet.  
Rigid Conversion Requires  
**014200-45** Lock Washer  
(Included)



Ø2"  
[51mm]  
Swivel Deck  
Flange

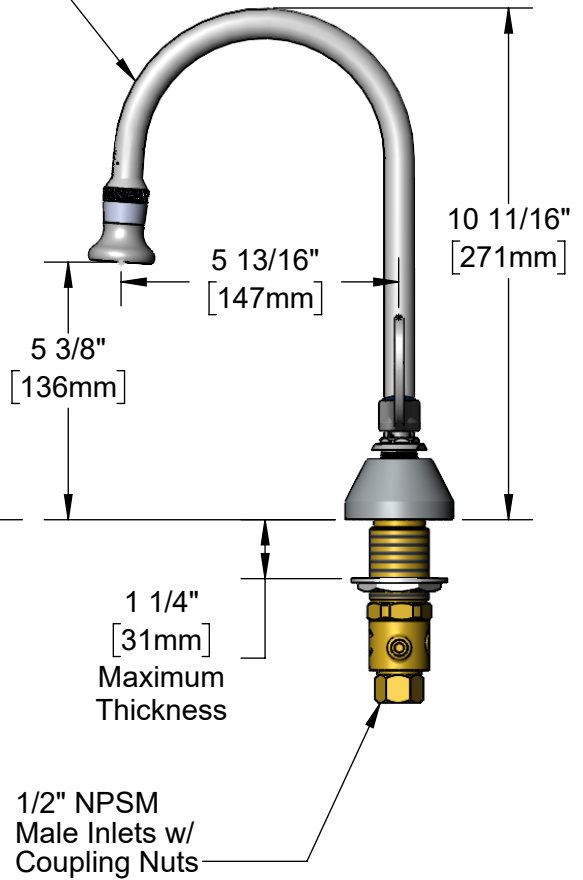
Quarter-Turn  
Eterna Cartridges w/  
Spring Checks &  
4" Wrist Action Handles  
w/ Color Coded Indexes

4 1/4"  
[107mm]

Mounting  
Surface

Ø2 1/4"  
[57mm]  
Escutcheons

8"  
[203mm]



10 11/16"  
[271mm]

5 13/16"  
[147mm]

5 3/8"  
[136mm]

1 1/4"  
[31mm]  
Maximum  
Thickness

1/2" NPSM  
Male Inlets w/  
Coupling Nuts

Rough-In Requirement:  
Center Shank: Ø1" [25mm] Mounting Hole  
Hot/Cold Side: Ø1 1/2" [38mm] Mounting Holes

Product Specifications:  
8" Concealed Widespread EasyInstall Mixing Faucet, Quarter-Turn Eterna Cartridges w/ Spring Checks, 4" Wrist Action Handles, 5 13/16" Swivel/Rigid Gooseneck, 2.2 GPM Rosespray Outlet & 1/2" NPT Male Inlets

Product Compliance:  
ASME A112.18.1 / CSA B125.1  
NSF 61 - Section 9  
NSF 372 (Low Lead Content)  
ANSI A117.1 (ADA)



# T&S BRASS AND BRONZE WORKS, INC.

2 Saddleback Cove / P.O. Box 1088  
Travelers Rest, SC 29690

Model No.

**B-2866-04**

Item No.

Travelers Rest, SC: 800-476-4103 • Simi Valley, CA: 800-423-0150 • Fax: 864-834-3518 • www.tsbrass.com

ITEM NO.	SALES NO.	DESCRIPTION
1	B-0103	2.2 GPM Rosespray Outlet
2	B-0103-01	2.2 GPM Rosespray Outlet w/ Adapter
3	014200-45	Star Washer, Anti-Rotation
4	016754-40NS	EasyInstall CWS Swivel Center Shank (New Style)
5	016742-45	Center Flange Nut
6	016745-45	Compression Nut & Fitting
7	018506-19NS	Blue Button Index, Press-in
8	000925-45	Lab Handle Screw
9	B-WH4C-NS	Wrist Action Handle, Blue Index & Screw
10	016752-40NS	EasyInstall, CWS Quarter-Turn Eterna Cartridge w/ Spring Check, LTC
11	016749-45	Sidebody C-Washer
12	016777-45	CWS Hanger
13	000958-20	Coupling Nut
14	016753-40NS	EasyInstall, CWS Quarter-Turn Eterna Cartridge w/ Spring Check, RTC
15	016743-20	Eterna Bonnet - EXTENDED
16	009002-40NS	Packing Assembly (New Style)
17	001257-40NS	Bell Escutcheon
18	B-WH4H-NS	Wrist Action Handle, Red Index & Screw
19	B-WH4-NS	Wrist Action Handle - New Style
20	001193-19NS	Red Button Index, Press-in

**017245-40**  
Installation Repair Kit  
Includes #5, (2)#11, & #12

**Product Specifications:**  
8" Concealed Widespread EasyInstall Mixing Faucet, Quarter-Turn Eterna Cartridges w/ Spring Checks, 4" Wrist Action Handles, 5 13/16" Swivel/Rigid Gooseneck, 2.2 GPM Rosespray Outlet & 1/2" NPT Male Inlets

**Product Compliance:**  
ASME A112.18.1 / CSA B125.1  
NSF 61 - Section 9  
NSF 372 (Low Lead Content)  
ANSI A117.1 (ADA)