



T&S BRASS AND BRONZE WORKS, INC.
 2 Saddleback Cove / P.O. Box 1088
 Travelers Rest, SC 29690

Model No.
B-2867-04-WS

Item No.

Travelers Rest, SC: 800-476-4103 • Simi Valley, CA: 800-423-0150 • Fax: 864-834-3518 • www.tsbrass.com



ADA Compliant

This Space for Architect/Engineer Approval

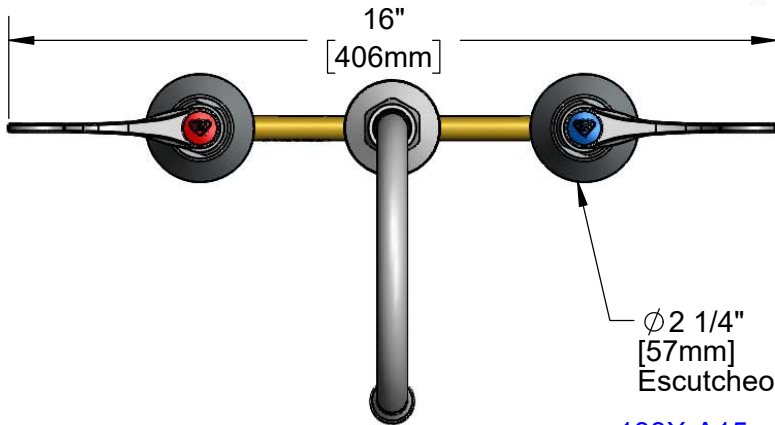
Job Name _____ Date _____

Model Specified _____ Quantity _____

Customer/Wholesaler _____

Contractor _____

Architect/Engineer _____



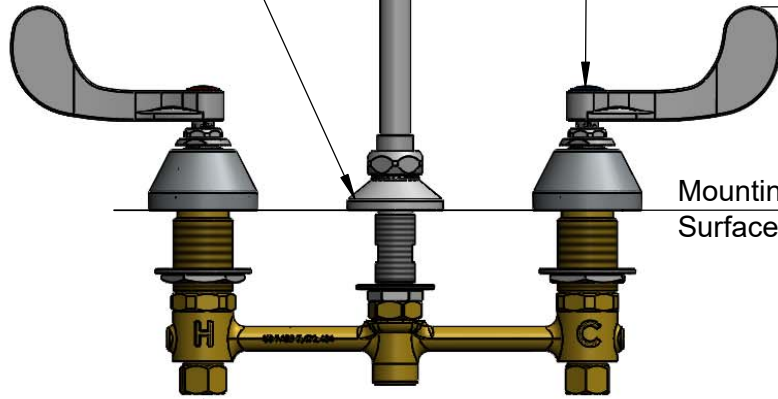
Ø 2 1/4" [57mm] Escutcheons

133X-A15
 5 3/4" Swivel Gooseneck w/
 1.5 GPM Aerator.
 Rigid Conversion Requires
014200-45 Lock Washer
 (Included)



Ø 2" [51mm] Swivel Deck Flange

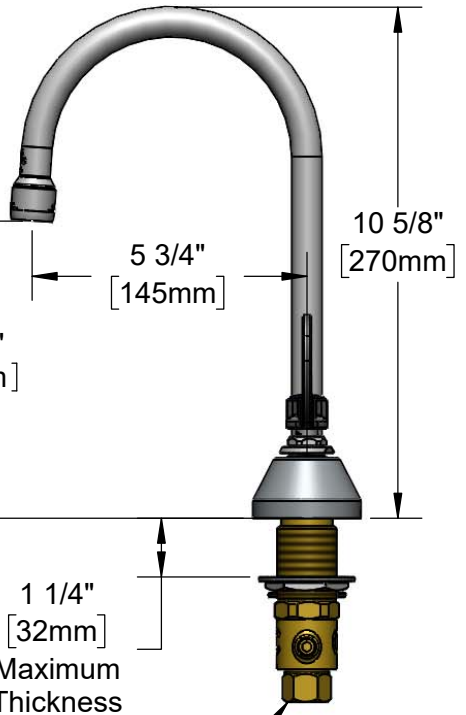
Quarter-Turn Eterna Cartridges w/
 Spring Checks &
 4" Wrist Action Handles w/
 Color Coded Indexes



Mounting Surface

4 1/4" [108mm]

6 3/16" [157mm]



10 5/8" [270mm]

5 3/4" [145mm]

1 1/4" [32mm] Maximum Thickness

1/2" NPT Male Inlets w/ Coupling Nuts

8" [203mm]

Rough-In Requirement:
 Ø 1" [25mm] for Center Shank
 Ø 1 1/2" [38mm] for Hot/Cold Side

Product Specifications:
 8" Concealed Widespread EasyInstall Mixing Faucet, 4" Wrist Action Handles, Quarter-Turn Eterna Cartridges w/ Spring Checks, Swivel/Rigid Gooseneck w/ 1.5 GPM Aerator and 1/2" NPT Male Inlets

Product Compliance:
 ASME A112.18.1 / CSA B125.1
 NSF 61 - Section 9
 NSF 372 (Low Lead Content)
 ANSI A117.1 (ADA)
 EPA WaterSense



T&S BRASS AND BRONZE WORKS, INC.

2 Saddleback Cove / P.O. Box 1088
Travelers Rest, SC 29690

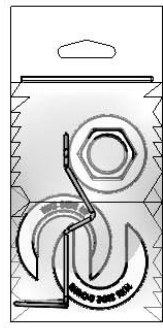
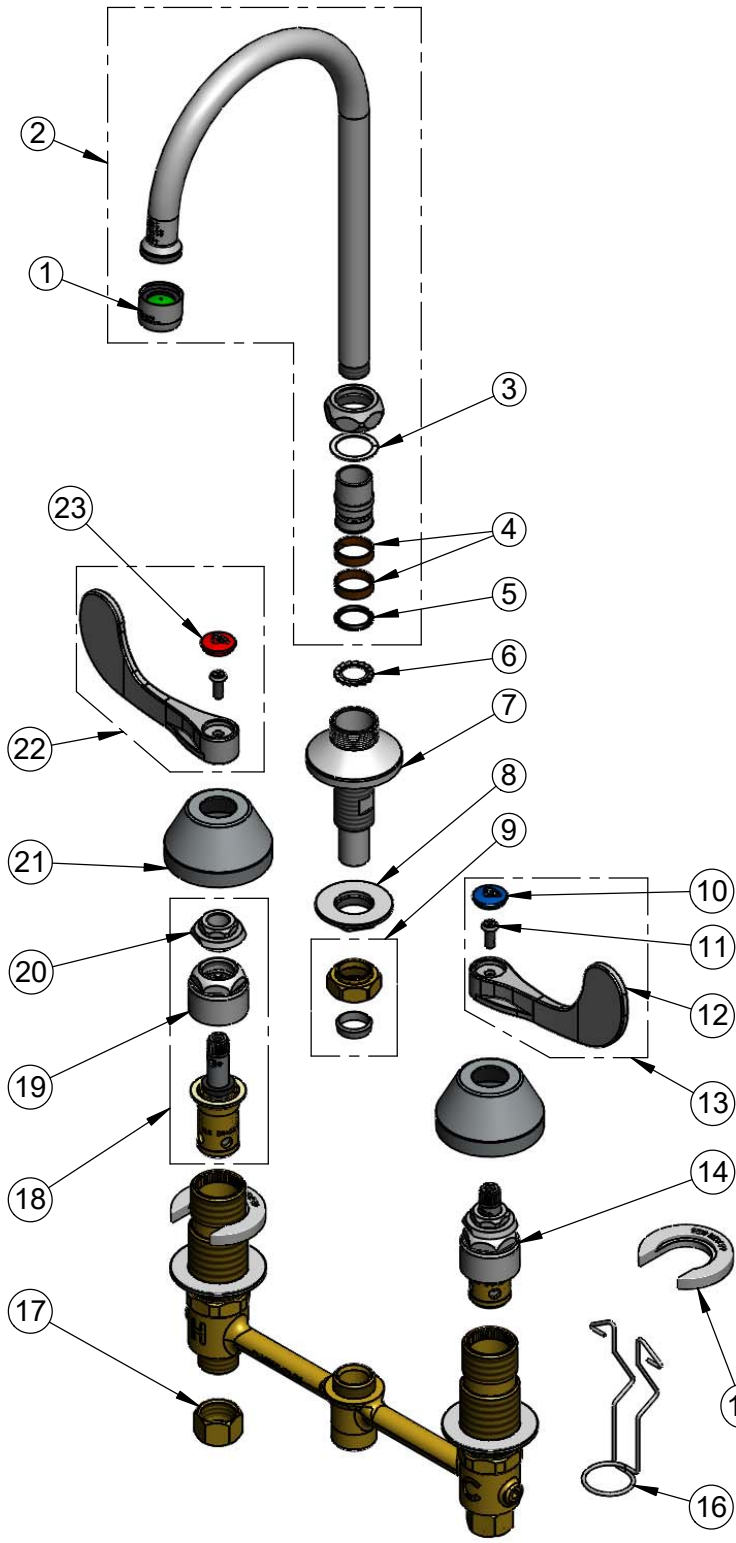
Model No.

B-2867-04-WS

Item No.

Travelers Rest, SC: 800-476-4103 • Simi Valley, CA: 800-423-0150 • Fax: 864-834-3518 • www.tsbrass.com

| ITEM NO. | SALES NO. | DESCRIPTION |
|----------|------------------------------|---|
| 1 | B-0199-01-WS | 1.5 GPM Aerator, 55/64-27 Female |
| 2 | 133X-A15 | 5 3/4" Swivel Gooseneck w/ 1.5 GPM Aerator |
| 3 | 009538-45 | Swivel Washer |
| 4 | 011429-45 | Swivel Sleeves (2) |
| 5 | 001074-45 | O-Ring |
| 6 | 014200-45 | Star Washer, Anti-Rotation |
| 7 | 016754-40NS | EasyInstall CWS Swivel Center Shank |
| 8 | 016742-45 | Center Flange Nut |
| 9 | 016745-45 | Compression Nut & Fitting |
| 10 | 018506-19NS | Blue Button Index, Press-in |
| 11 | 000925-45 | Lab Handle Screw |
| 12 | B-WH4-NS | Wrist Action Handle - New Style |
| 13 | 001636-45NS | Lever Handle, Blue Index & Screw |
| 14 | 016752-40NS | EasyInstall, CWS Quarter-Turn Eterna Cartridge w/ Spring Check, LTC |
| 15 | 016749-45 | Sidebody C-Washer |
| 16 | 016777-45 | CWS Hanger |
| 17 | 000958-20 | Coupling Nut |
| 18 | 016753-40NS | EasyInstall, CWS Quarter-Turn Eterna Cartridge w/ Spring Check, RTC |
| 19 | 016743-25 | CWS Bonnet |
| 20 | 009002-40NS | Packing Assembly (New Style) |
| 21 | 001257-40NS | Bell Escutcheon |
| 22 | B-WH6H-NS | 6" Wrist Action Handle, Red Index & Screw |
| 23 | 001193-19NS | Red Button Index, Press-in |



017245-40
Installation Repair Kit
Includes #7, (2)#14, #15

Product Specifications:
8" Concealed Widespread EasyInstall Mixing Faucet, 4" Wrist Action Handles, Quarter-Turn Eterna Cartridges w/ Spring Checks, Swivel/Rigid Gooseneck w/ 1.5 GPM Aerator and 1/2" NPT Male Inlets

Product Compliance:
ASME A112.18.1 / CSA B125.1
NSF 61 - Section 9
NSF 372 (Low Lead Content)
ANSI A117.1 (ADA)
EPA WaterSense