



T&S BRASS AND BRONZE WORKS, INC.
 2 Saddleback Cove / P.O. Box 1088
 Travelers Rest, SC 29690

Model No.
B-2873

Item No.

Travelers Rest, SC: 800-476-4103 • Simi Valley, CA: 800-423-0150 • Fax: 864-834-3518 • www.tsbrass.com



ADA Compliant

This Space for Architect/Engineer Approval

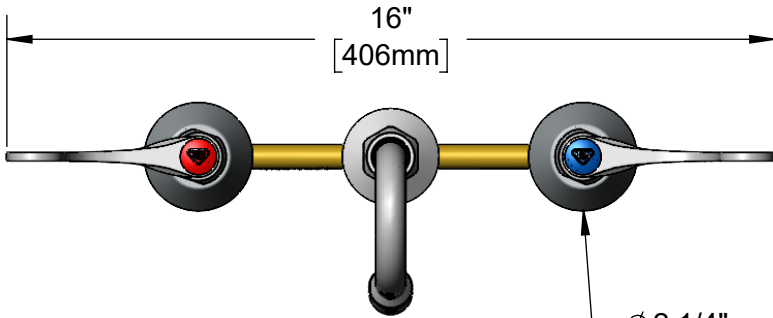
Job Name _____ Date _____

Model Specified _____ Quantity _____

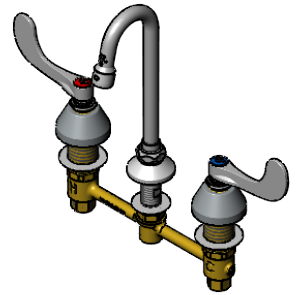
Customer/Wholesaler _____

Contractor _____

Architect/Engineer _____



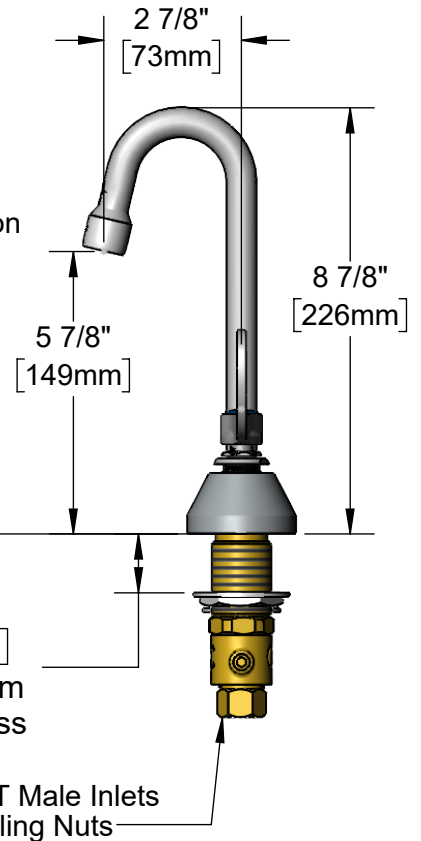
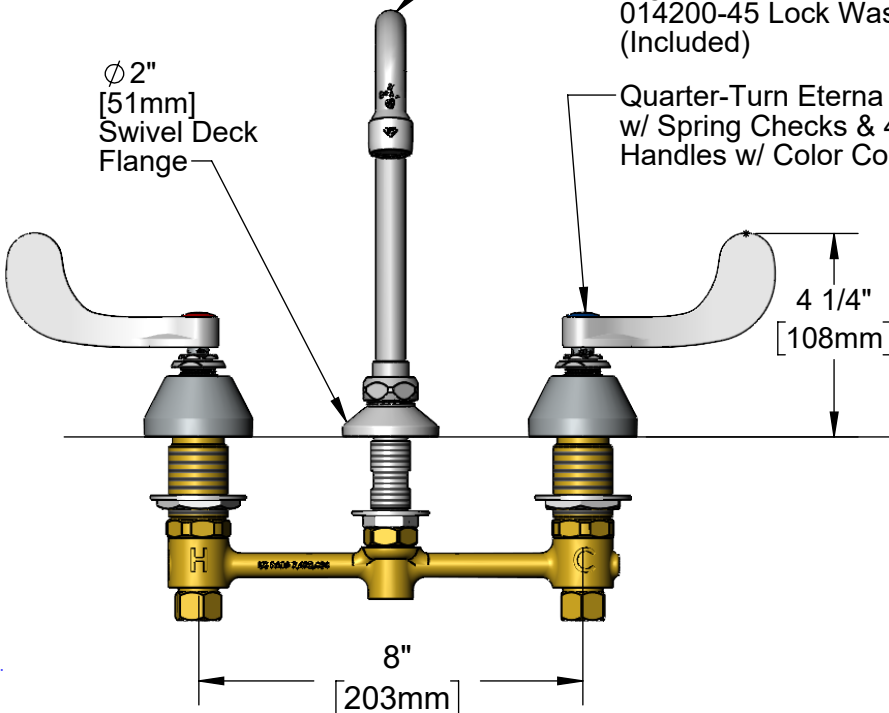
Ø 2 1/4"
 [57mm]
 Escutcheons



132X-A22
 Swivel Gooseneck w/
 2.2 GPM Aerator.
 Rigid Conversion Requires
 014200-45 Lock Washer
 (Included)

Ø 2"
 [51mm]
 Swivel Deck
 Flange

Quarter-Turn Eterna Cartridges
 w/ Spring Checks & 4" Wrist Action
 Handles w/ Color Coded Indexes



Rough-In Requirement:
 Center Shank: Ø 1" [25mm] Mounting Hole
 Hot/Cold Side: Ø 1 1/2" [38mm] Mounting Holes

Product Specifications:
 8" Concealed Widespread EasyInstall Deck Mount Mixing Faucet, Quarter-Turn Eterna Cartridges w/ Spring Checks, 4" Wrist Action Handles, 2 7/8" Swivel/Rigid Gooseneck, 2.2 GPM Aerator & 1/2" NPT Male Inlets w/ Coupling Nuts

Product Compliance:
 ASME A112.18.1 / CSA B125.1
 NSF 61 - Section 9
 NSF 372 (Low Lead Content)
 ANSI A117.1 (ADA)



T&S BRASS AND BRONZE WORKS, INC.

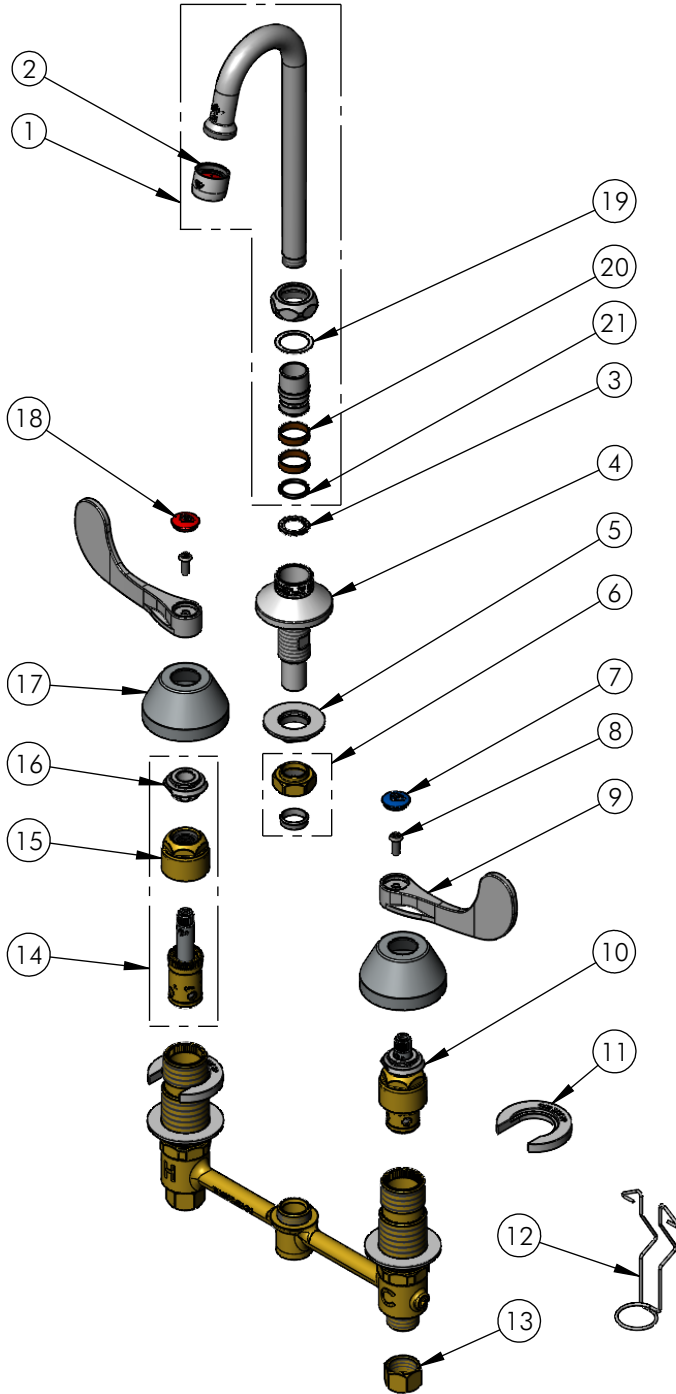
2 Saddleback Cove / P.O. Box 1088
Travelers Rest, SC 29690

Model No.

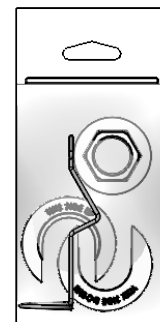
B-2873

Item No.

Travelers Rest, SC: 800-476-4103 • Simi Valley, CA: 800-423-0150 • Fax: 864-834-3518 • www.tsbrass.com



ITEM NO.	SALES NO.	DESCRIPTION
1	132X-A22	2 7/8" Swivel Gooseneck
2	B-0199-01	2.2 GPM Aerator, 55/64-27 UN Female
3	014200-45	Star Washer, Anti-Rotation
4	016754-40NS	EasyInstall CWS Swivel Center Shank (New Style)
5	016742-45	Center Flange Nut
6	016745-45	Compression Nut & Fitting
7	018506-19NS	Blue Button Index, Press-in
8	000925-45	Lab Handle Screw
9	B-WH4-NS	Wrist Action Handle - New Style
10	016752-40NS	EasyInstall CWS LTC Quarter-Turn Eterna Cartridge w/ Spring Check
11	016749-45	Sidebody C-Washer
12	016777-45	CWS Hanger
13	000958-20	Coupling Nut
14	016753-40NS	EasyInstall CWS RTC Quarter-Turn Eterna Cartridge w/ Spring Check
15	016743-20	CWS Eterna Bonnet
16	009002-40NS	Packing Nut (New Style)
17	001257-40NS	Bell Escutcheon
18	001193-19NS	Red Button Index, Press-in
19	009538-45	Swivel Washer
20	011429-45	Swivel Sleeves (2)
21	001074-45	O-Ring



017245-40
Installation Repair Kit
Includes #5, (2)#11, & #12

Product Specifications:

8" Concealed Widespread EasyInstall Deck Mount Mixing Faucet, Quarter-Turn Eterna Cartridges w/ Spring Checks, 4" Wrist Action Handles, 2 7/8" Swivel/Rigid Gooseneck, 2.2 GPM Aerator & 1/2" NPT Male Inlets w/ Coupling Nuts

Product Compliance:

ASME A112.18.1 / CSA B125.1
NSF 61 - Section 9
NSF 372 (Low Lead Content)
ANSI A117.1 (ADA)