



T&S BRASS AND BRONZE WORKS, INC.

2 Saddleback Cove / P.O. Box 1088
Travelers Rest, SC 29690



REG. #A2601
ISO #9001

Model No.

B-2991-WH4

Item No.

Travelers Rest, SC: 800-476-4103 Simi Valley, CA: 800-423-0150 Fax: 864-834-3518 www.tsbrass.com

This Space for Architect/Engineer Approval

Job Name _____ Date _____

Model Specified _____ Quantity _____

Customer/Wholesaler _____

Contractor _____

Architect/Engineer _____

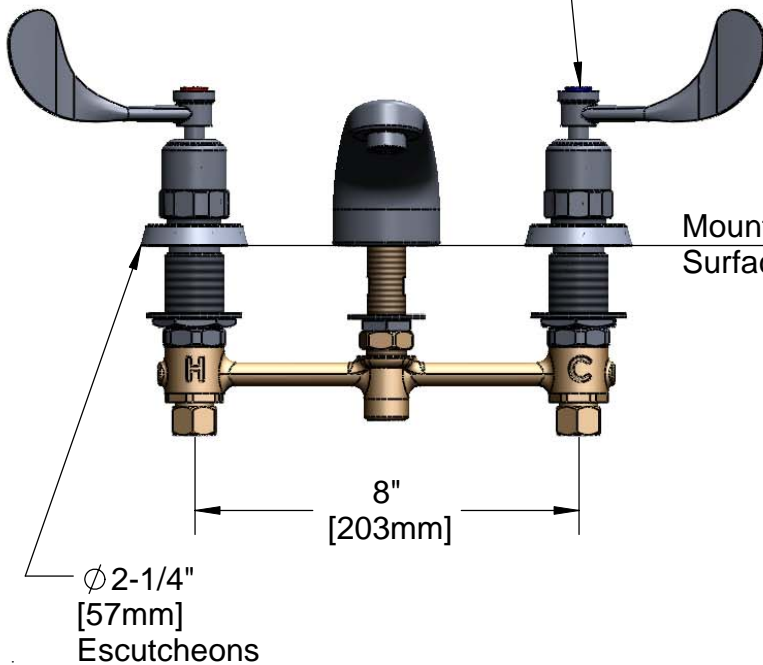


ADA Compliant

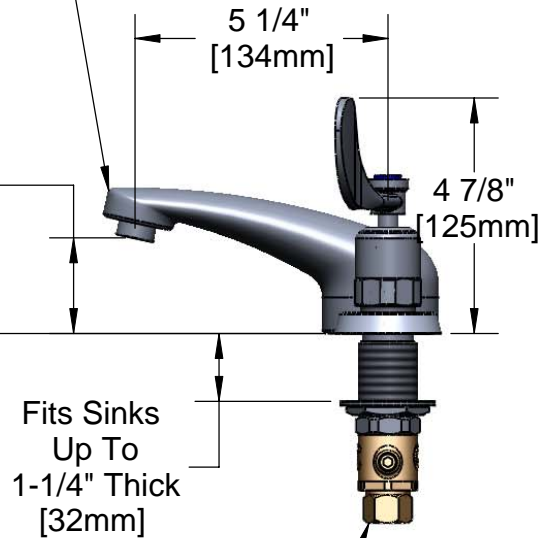


Lavatory Spout
w/ B-0199-03
2.2 GPM Male Aerator

B-WH4
Wrist Action Handle
w/ Color-Coded Indexes



2" [51mm]



Note: Rough-In Required:
Ø 1" [25mm] for Center Shank
Ø 1-1/2" [38mm] for Hot/Cold Side [1-1/4" [32mm] Minimum]

Product Specifications:

EasyInstall CWS Faucet w/ 4" Wrist Action Handles,
Slow-Close Metering Cartridges, 8" Inlet Centers,
Cast Spout w/ 2.2 GPM Aerator

Drawn
JRM

Checked
GEF

Approved
JHB

Scale:

NTS

Date:

12/08/08



T&S BRASS AND BRONZE WORKS, INC.
 2 Saddleback Cove / P.O. Box 1088
 Travelers Rest, SC 29690



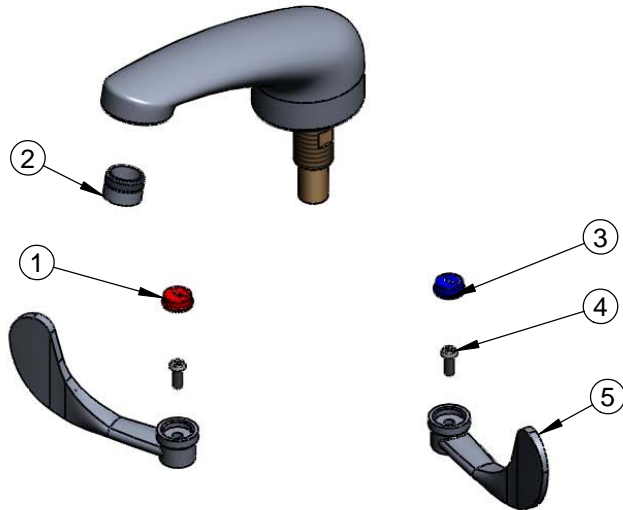
REG. #A2601
 ISO #9001

Model No.

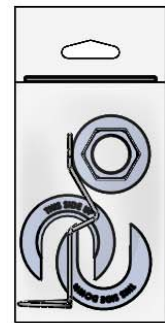
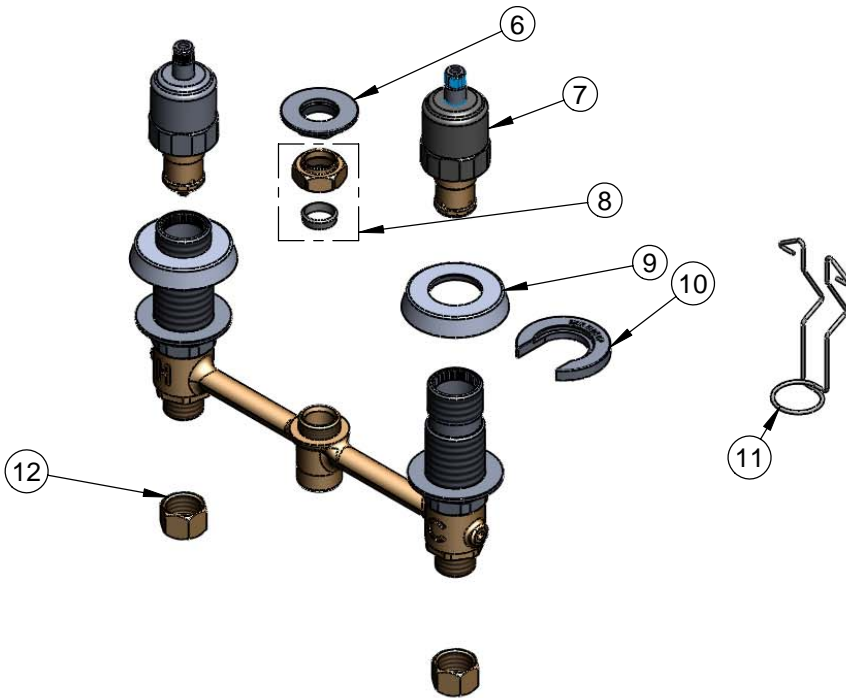
B-2991-WH4

Item No.

Travelers Rest, SC: 800-476-4103 Simi Valley, CA: 800-423-0150 Fax: 864-834-3518 www.tsbrass.com



ITEM NO.	SALES NO.	DESCRIPTION
1	001194-45	Red HW Index
2	B-0199-03	2.2 GPM Aerator
3	001686-45	Blue CW Index
4	000925-45	Lab Handle Screw
5	B-WH4	4" Wrist Action Handle
6	016742-45	Center Flange Nut
7	012449-40	Wrist Action Metering Cartridge Assembly
8	016745-45	Compression Nut & Fitting
9	017292-45	Metering CWS Escutcheon
10	016749-45	Sidebody C-Washer
11	016777-45	CWS Hanger
12	000958-20	Coupling Nut



017245-40
 Installation Repair Kit
 Includes #6, (2)#10, & #11

Product Specifications:

EasyInstall CWS Faucet w/ 4" Wrist Action Handles,
 Slow-Close Metering Cartridges, 8" Inlet Centers,
 Cast Spout w/ 2.2 GPM Aerator

Drawn JRM	Checked GEF	Approved JHB
Scale: NTS		Date: 12/08/08