



T&S BRASS AND BRONZE WORKS, INC.

2 Saddleback Cove / P.O. Box 1088
Travelers Rest, SC 29690

Model No.

B-3940-01-BSP

Item No.

Travelers Rest, SC: 800-476-4103 • Simi Valley, CA: 800-423-0150 • Fax: 864-834-3518 • www.tsbrass.com

This Space for Architect/Engineer Approval

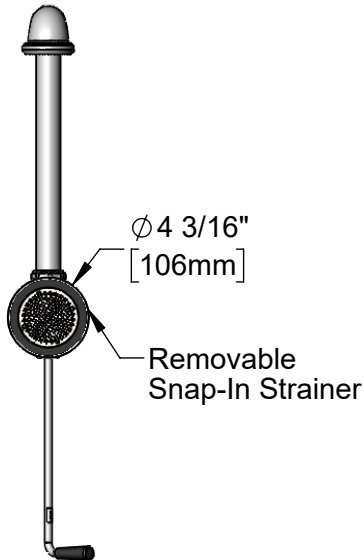
Job Name _____ Date _____

Model Specified _____ Quantity _____

Customer/Wholesaler _____

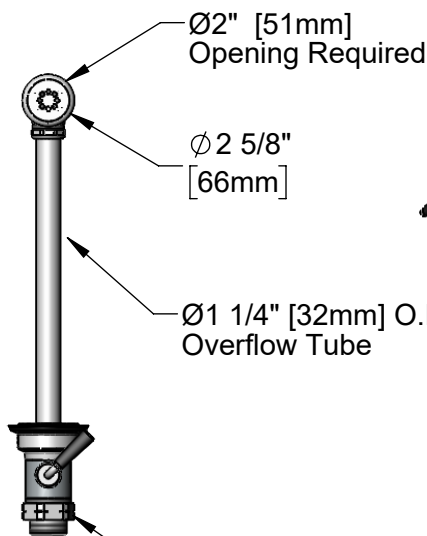
Contractor _____

Architect/Engineer _____



Ø 4 3/16"
[106mm]

Removable
Snap-In Strainer

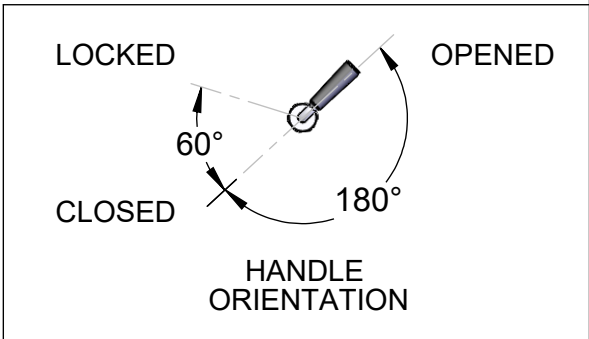
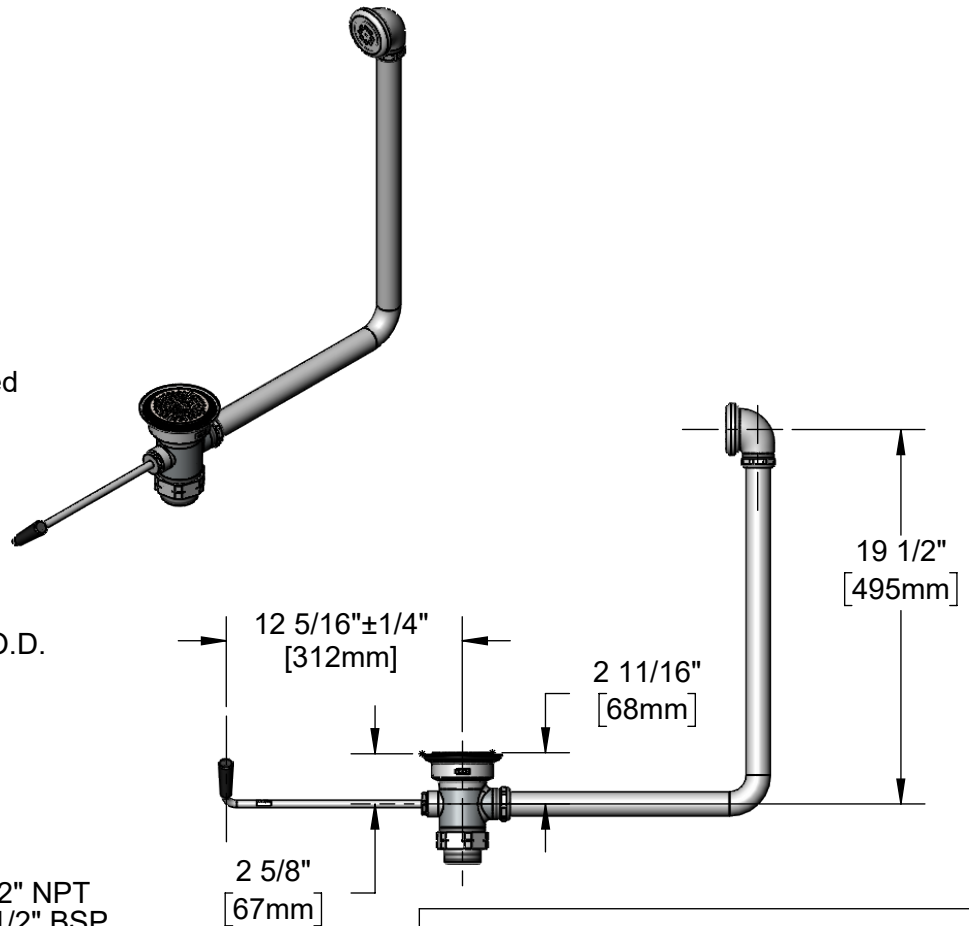


Ø2" [51mm]
Opening Required

Ø 2 5/8"
[66mm]

Ø1 1/4" [32mm] O.D.
Overflow Tube

Adapter Converts 2" NPT
Male Thread to 1 1/2" BSP
Male Thread. Remove
Adapter when 2" NPT
Male Thread is Needed.



Product Specifications:

Rotary Waste Valve w/ Twist Handle, 3" Sink Opening, 2" Male NPT Outlet, 1 1/2" BSP Male Adapter & Overflow Tube w/ Head Asm.

Product Compliance:

ASME A112.18.2 / CSA B125.2



T&S BRASS AND BRONZE WORKS, INC.

2 Saddleback Cove / P.O. Box 1088
Travelers Rest, SC 29690

Model No.

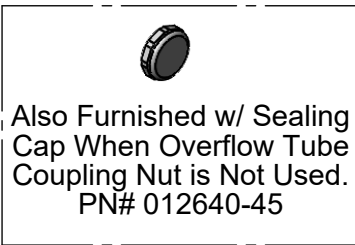
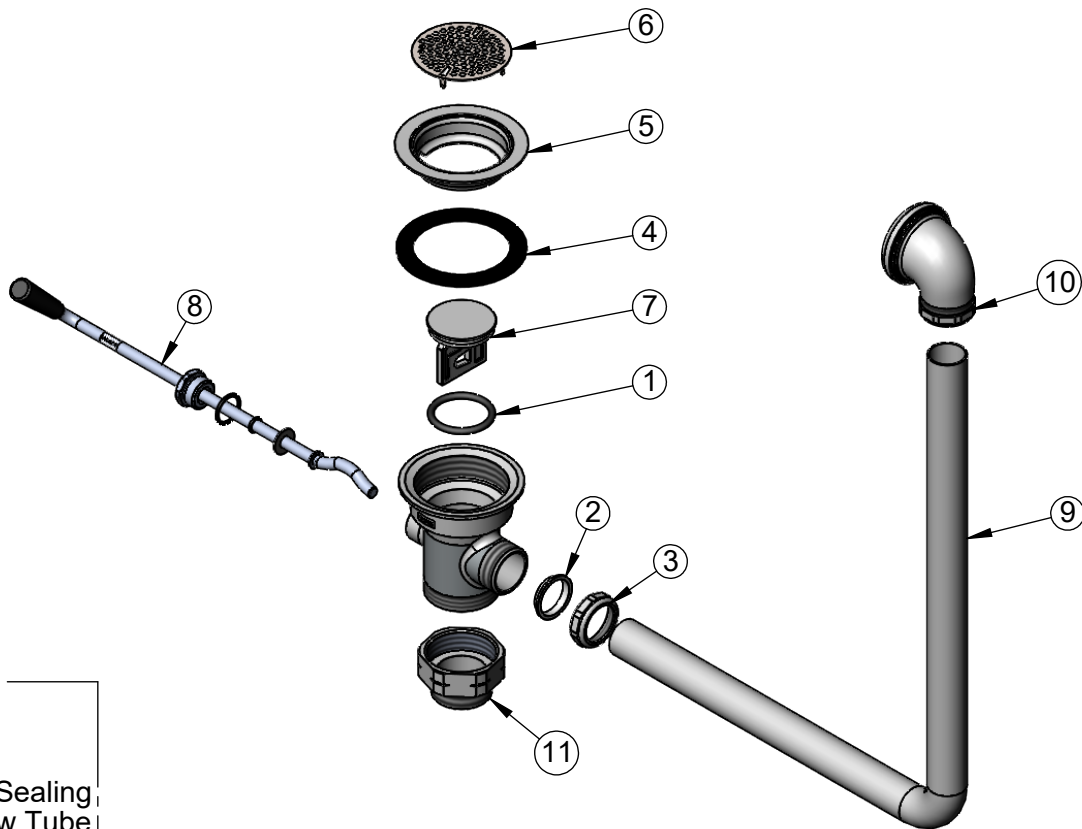
B-3940-01-BSP

Item No.

Travelers Rest, SC: 800-476-4103 • Simi Valley, CA: 800-423-0150 • Fax: 864-834-3518 • www.tsbrass.com



ITEM NO.	SALES NO.	DESCRIPTION
1	010389-45	O-Ring, Plunger
2	010390-45	Ferrule, Coupling Nut
3	010391-45	Nut, Coupling for Twist Drain
4	010381-45	Gasket, 3" Face Flange
5	015306-45	Flange, 3" Face
6	010385-45	Strainer, 3" Snap-in
7	010388-45	Plunger, Lever and Twist Drain
8	010393-45	Handle Asm, Rotary Waste Valve Twist
9	011355-45	Tube, Overflow Elbow
10	011356-45	Head Asm, Overflow Tube
11	B-3945-BSP	Adapter, 2" NPT Male x 1 1/2" BSP Male



Product Specifications:

Rotary Waste Valve w/ Twist Handle, 3" Sink Opening, 2" Male NPT Outlet, 1 1/2" BSP Male Adapter & Overflow Tube w/ Head Asm.

Product Compliance:

ASME A112.18.2 / CSA B125.2