



# T&S BRASS AND BRONZE WORKS, INC.

2 Saddleback Cove / P.O. Box 1088  
Travelers Rest, SC 29690

Model No.

**B-3942-01**

Item No.

Travelers Rest, SC: 800-476-4103 • Simi Valley, CA: 800-423-0150 • Fax: 864-834-3518 • www.tsbrass.com

This Space for Architect/Engineer Approval

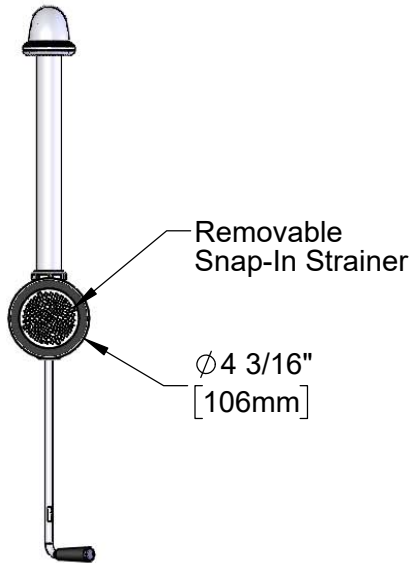
Job Name \_\_\_\_\_ Date \_\_\_\_\_

Model Specified \_\_\_\_\_ Quantity \_\_\_\_\_

Customer/Wholesaler \_\_\_\_\_

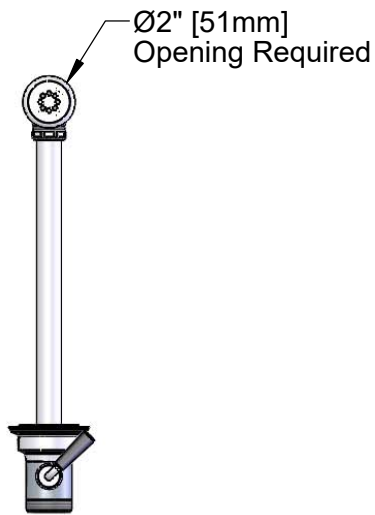
Contractor \_\_\_\_\_

Architect/Engineer \_\_\_\_\_

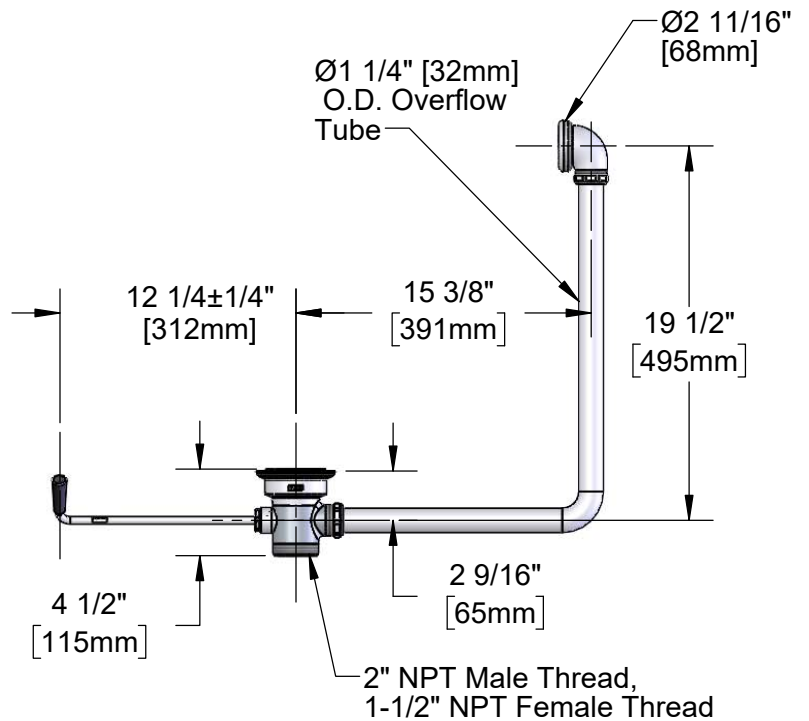


Removable  
Snap-In Strainer

Ø 4 3/16"  
[106mm]



Ø2" [51mm]  
Opening Required



Ø2 11/16"  
[68mm]

Ø1 1/4" [32mm]  
O.D. Overflow  
Tube

12 1/4 ± 1/4"  
[312mm]

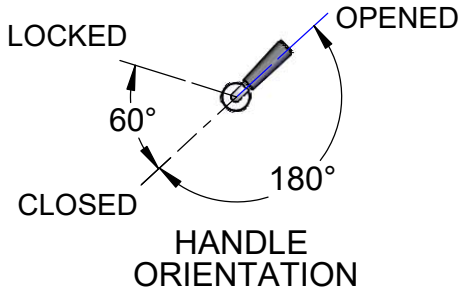
15 3/8"  
[391mm]

19 1/2"  
[495mm]

4 1/2"  
[115mm]

2 9/16"  
[65mm]

2" NPT Male Thread,  
1-1/2" NPT Female Thread



HANDLE  
ORIENTATION

### Product Specifications:

Rotary Waste Valve w/ Twist Handle, 3" Sink Opening,  
2" NPT Male / 1-1/2" NPT Female Thread Outlet & Overflow  
Tube w/ Head Asm.

### Product Compliance:

ASME A112.18.2 / CSA B125.2



# T&S BRASS AND BRONZE WORKS, INC.

2 Saddleback Cove / P.O. Box 1088  
Travelers Rest, SC 29690

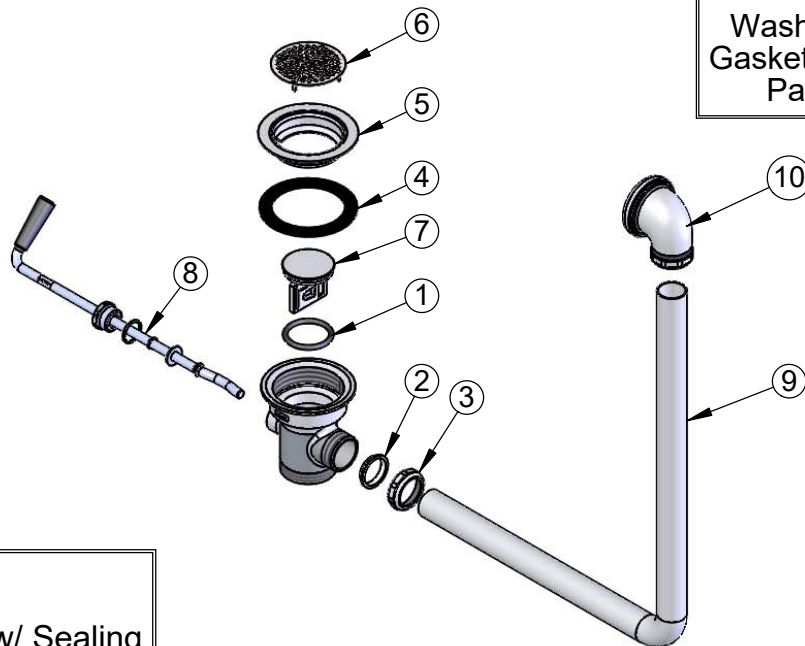
Model No.

**B-3942-01**

Item No.

Travelers Rest, SC: 800-476-4103 • Simi Valley, CA: 800-423-0150 • Fax: 864-834-3518 • www.tsbrass.com

ITEM NO.	SALES NO.	DESCRIPTION
1	010389-45	O-Ring, Plunger
2	010390-45	Ferrule, Coupling Nut
3	010391-45	Nut, Coupling for Twist Drain
4	010381-45	Gasket, 3" Face Flange
5	015306-45	Flange, 3" Face
6	010385-45	Strainer, 3" Snap-in
7	010388-45	Plunger, Lever and Twist Drain
8	010393-45	Handle Asm, Rotary Waste Valve Twist
9	011355-45	Tube, Overflow Elbow
10	011356-45	Head Asm, Overflow Tube



Also Furnished w/ Sealing Cap When Overflow Tube Coupling Nut is Not Used.  
P/N# 012640-45

Product Specifications:  
Rotary Waste Valve w/ Twist Handle, 3" Sink Opening,  
2" NPT Male / 1-1/2" NPT Female Thread Outlet & Overflow  
Tube w/ Head Asm.

Product Compliance:  
ASME A112.18.2 / CSA B125.2