



**T&S BRASS AND BRONZE WORKS, INC.**  
 2 Saddleback Cove / P.O. Box 1088  
 Travelers Rest, SC 29690

Model No.

**B-3942-XL**

Item No.

Travelers Rest, SC: 800-476-4103 • Simi Valley, CA: 800-423-0150 • Fax: 864-834-3518 • www.tsbrass.com

This Space for Architect/Engineer Approval

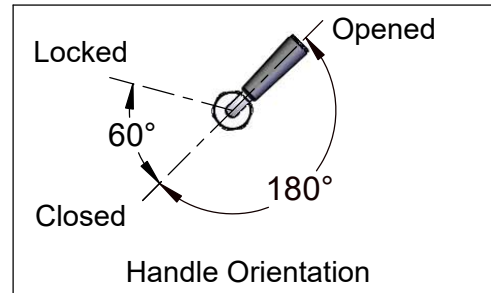
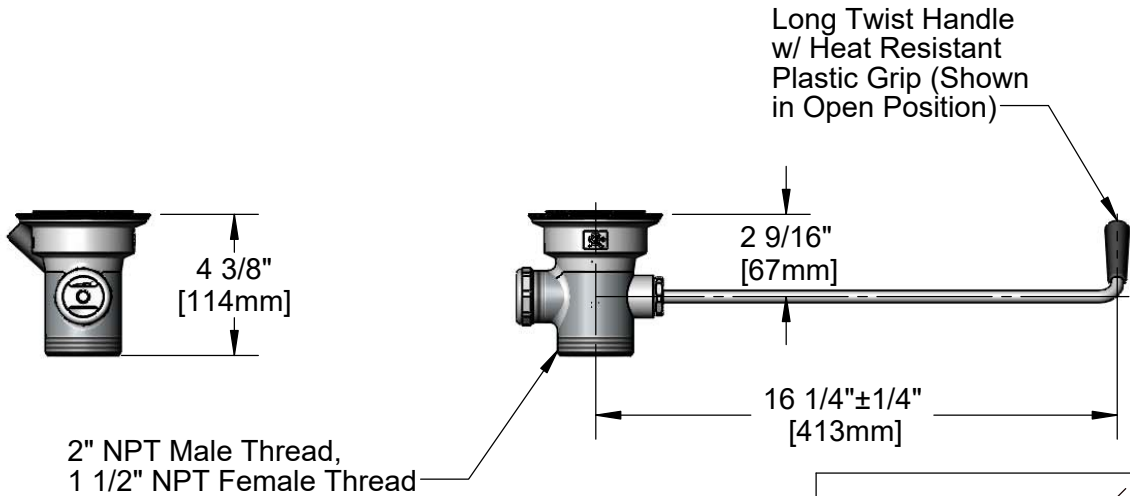
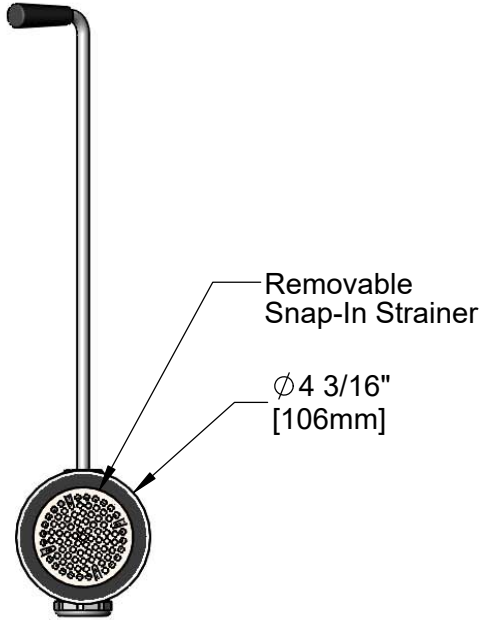
Job Name \_\_\_\_\_ Date \_\_\_\_\_

Model Specified \_\_\_\_\_ Quantity \_\_\_\_\_

Customer/Wholesaler \_\_\_\_\_

Contractor \_\_\_\_\_

Architect/Engineer \_\_\_\_\_



Product Specifications:  
 Rotary Waste Valve w/ Long Twist Handle, 3" Sink Opening,  
 2" NPT Male / 1-1/2" NPT Female Outlet

Product Compliance:  
 ASME A112.18.1 / CSA B125.1



# T&S BRASS AND BRONZE WORKS, INC.

2 Saddleback Cove / P.O. Box 1088  
Travelers Rest, SC 29690

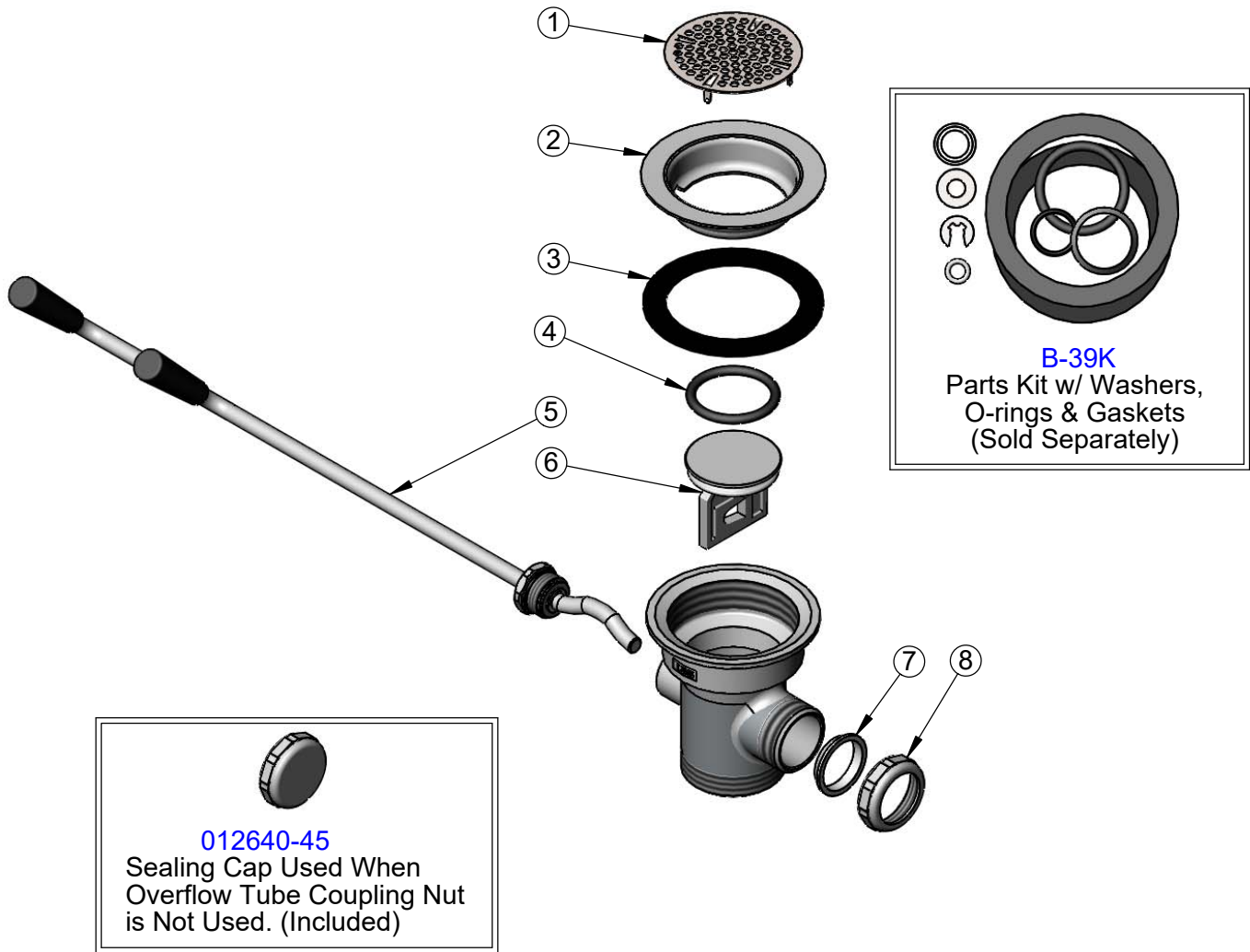
Model No.

**B-3942-XL**

Item No.

Travelers Rest, SC: 800-476-4103 • Simi Valley, CA: 800-423-0150 • Fax: 864-834-3518 • www.tsbrass.com

ITEM NO.	SALES NO.	DESCRIPTION
1	010385-45	Strainer, 3" Snap-In Removable
2	015306-45	Flange, 3" Face
3	010381-45	Gasket, 3" Face Flange
4	010389-45	O-Ring, Plunger
5	010393-45XL	Handle, Long Twist
6	010388-45	Plunger, Lever and Twist Drain
7	010390-45	Ferrule, Coupling Nut
8	010391-45	Nut, Coupling for Twist Drain



Product Specifications:  
Rotary Waste Valve w/ Long Twist Handle, 3" Sink Opening,  
2" NPT Male / 1-1/2" NPT Female Outlet

Product Compliance:  
ASME A112.18.1 / CSA B125.1