



T&S BRASS AND BRONZE WORKS, INC.

2 Saddleback Cove / P.O. Box 1088
Travelers Rest, SC 29690

Model No.

B-3952-XL

Item No.

Travelers Rest, SC: 800-476-4103 • Simi Valley, CA: 800-423-0150 • Fax: 864-834-3518 • www.tsbrass.com

This Space for Architect/Engineer Approval

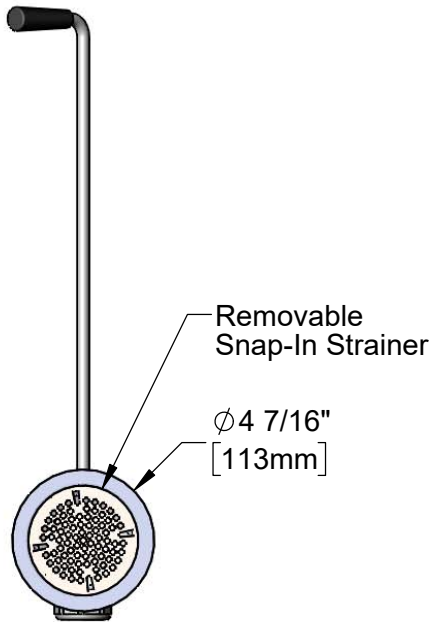
Job Name _____ Date _____

Model Specified _____ Quantity _____

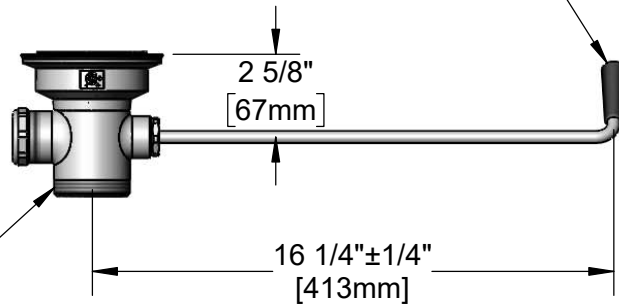
Customer/Wholesaler _____

Contractor _____

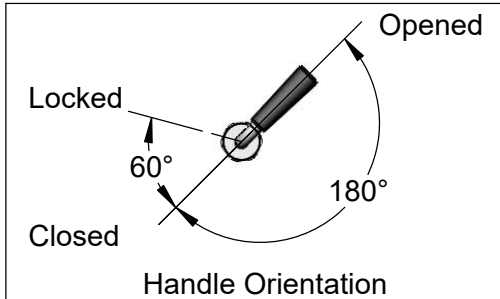
Architect/Engineer _____



2" NPT Male Thread,
1 1/2" NPT Female Thread



Long Twist Handle
w/ Heat Resistant
Plastic Grip (Shown
in Open Position)



Product Specifications:
Rotary Waste Valve w/ Long Twist Handle, 3 1/2" Sink Opening,
2" NPT Male Outlet / 1 1/2" NPT Female Outlet

Product Compliance:
ASME A112.18.2 / CSA B125.2



T&S BRASS AND BRONZE WORKS, INC.

2 Saddleback Cove / P.O. Box 1088
Travelers Rest, SC 29690

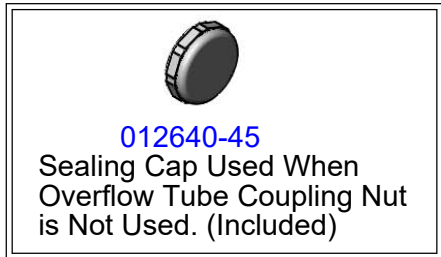
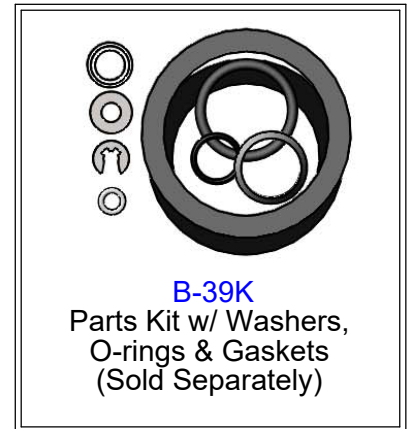
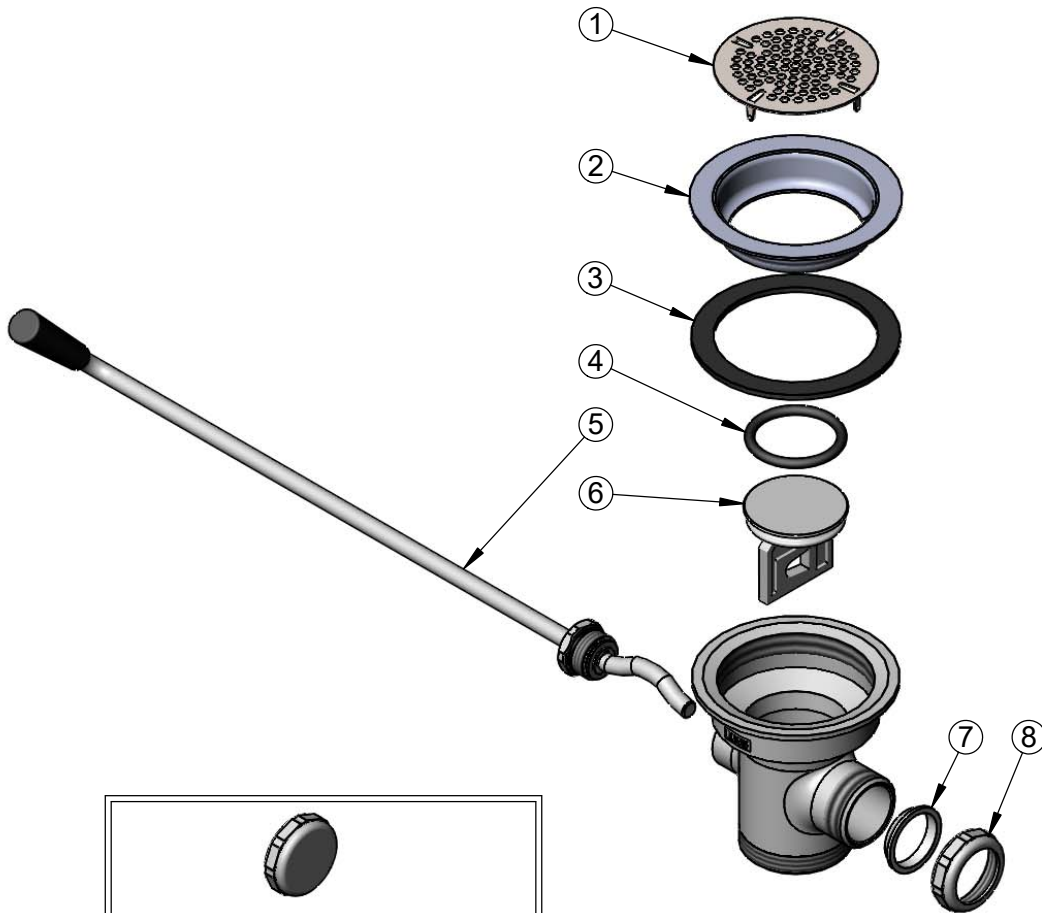
Model No.

B-3952-XL

Item No.

Travelers Rest, SC: 800-476-4103 • Simi Valley, CA: 800-423-0150 • Fax: 864-834-3518 • www.tsbrass.com

ITEM NO.	SALES NO.	DESCRIPTION
1	010386-45	Strainer, 3 1/2" Snap-In Removable
2	010384-45	Flange, 3 1/2" Face
3	010382-45	Gasket, 3 1/2" Face Flange
4	010389-45	O-Ring, Plunger
5	010393-45XL	Handle, Long Twist
6	010388-45	Plunger, Lever and Twist Drain
7	010390-45	Ferrule, Coupling Nut
8	010391-45	Nut, Coupling for Twist Drain



Product Specifications:
Rotary Waste Valve w/ Long Twist Handle, 3 1/2" Sink Opening,
2" NPT Male Outlet / 1 1/2" NPT Female Outlet

Product Compliance:
ASME A112.18.2 / CSA B125.2