



T&S BRASS AND BRONZE WORKS, INC.
 2 Saddleback Cove / P.O. Box 1088
 Travelers Rest, SC 29690

Model No.
B-7112-05

Item No.

Travelers Rest, SC: 800-476-4103 • Simi Valley, CA: 800-423-0150 • Fax: 864-834-3518 • www.tsbrass.com

This Space for Architect/Engineer Approval

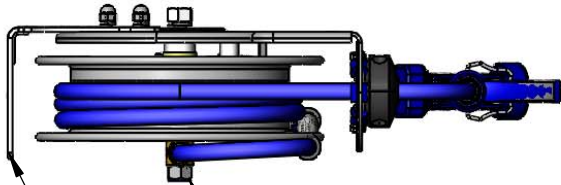
Job Name _____ Date _____

Model Specified _____ Quantity _____

Customer/Wholesaler _____

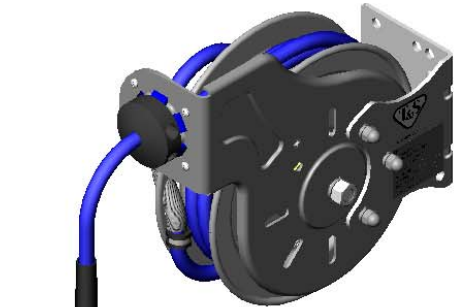
Contractor _____

Architect/Engineer _____

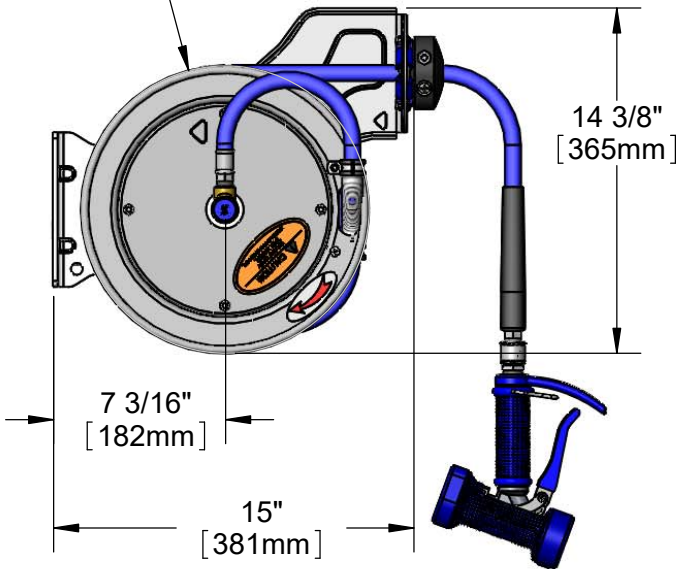


3/8" NPT Female Inlet
 (Left Side of Reel)

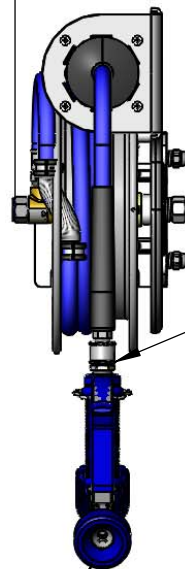
Open Stainless Steel Hose Reel
 15' [4.57m] of 3/8" Hose



Ø 12"
 [304mm]

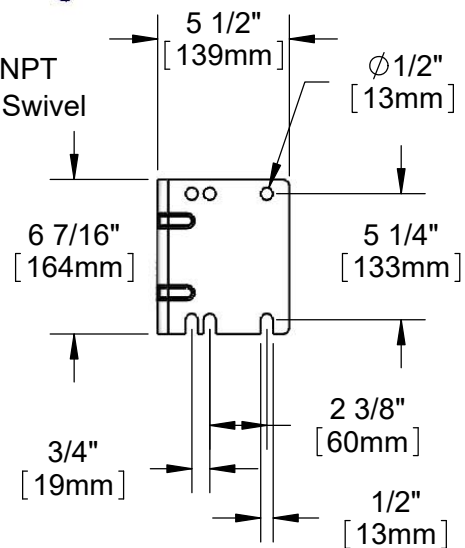


7 1/4"
 [184mm]



3/8" NPT
 Live Swivel

MV-2522-24
 Stainless Steel Front Trigger
 Water Gun, 5/16" Orifice



Product Specifications:

3/8" x 15' Open Stainless Steel Reel w/ Stainless Steel Front Trigger Water Gun, 5/16" Orifice & Swivel

Product Compliance:

NSF 61 Exempt (Non-Potable)
 2019 DOE PRSV Non-Compliant



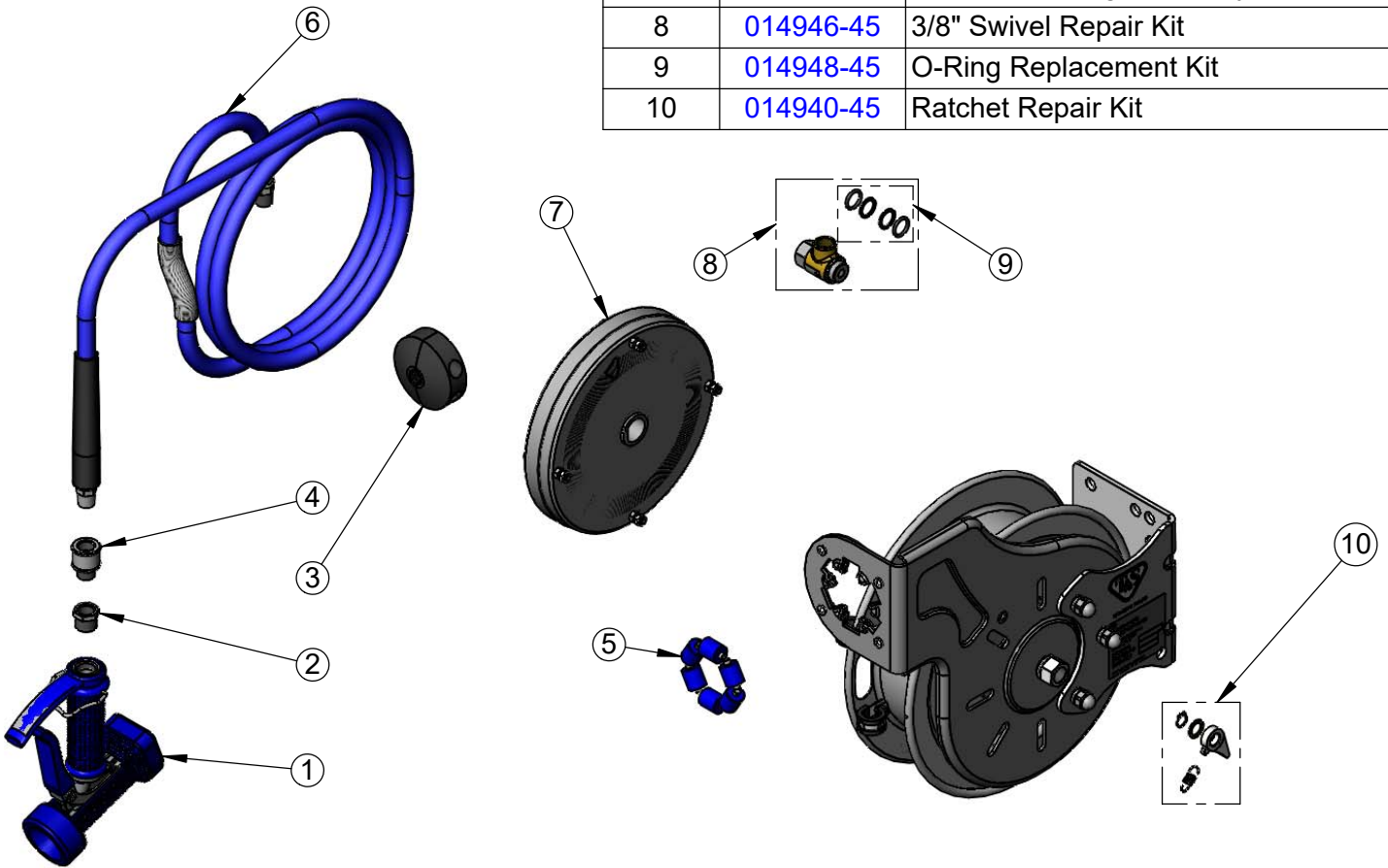
T&S BRASS AND BRONZE WORKS, INC.
 2 Saddleback Cove / P.O. Box 1088
 Travelers Rest, SC 29690

Model No.
B-7112-05

Item No.

Travelers Rest, SC: 800-476-4103 • Simi Valley, CA: 800-423-0150 • Fax: 864-834-3518 • www.tsbrass.com

ITEM NO.	SALES NO.	DESCRIPTION
1	MV-2522-24	5/16" Orifice, Front Trigger Gun
2	001359-40	Hex Bushing, 1/2" NPT Male x 3/8" NPT Female
3	014949-45	Hose Stop Repair Kit
4	019652-40	3/8" NPT Live Swivel
5	014938-45	Hose Roller
6	014944-45	3/8" x 15' Hose Replacement Kit
7	014933-45	Small SS Spring Assembly
8	014946-45	3/8" Swivel Repair Kit
9	014948-45	O-Ring Replacement Kit
10	014940-45	Ratchet Repair Kit



Product Specifications:

3/8" x 15' Open Stainless Steel Reel w/ Stainless Steel Front Trigger Water Gun, 5/16" Orifice & Swivel

Product Compliance:

NSF 61 Exempt (Non-Potable)
 2019 DOE PRSV Non-Compliant