



**T&S BRASS AND BRONZE WORKS, INC.**  
 2 Saddleback Cove / P.O. Box 1088  
 Travelers Rest, SC 29690

Model No.

**B-7112-10**

Item No.

Travelers Rest, SC: 800-476-4103 • Simi Valley, CA: 800-423-0150 • Fax: 864-834-3518 • www.tsbrass.com

This Space for Architect/Engineer Approval

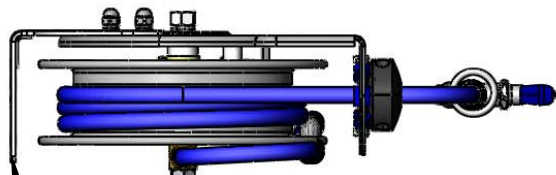
Job Name \_\_\_\_\_ Date \_\_\_\_\_

Model Specified \_\_\_\_\_ Quantity \_\_\_\_\_

Customer/Wholesaler \_\_\_\_\_

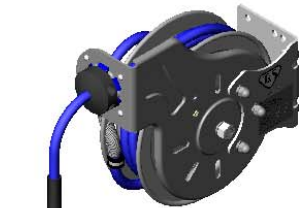
Contractor \_\_\_\_\_

Architect/Engineer \_\_\_\_\_

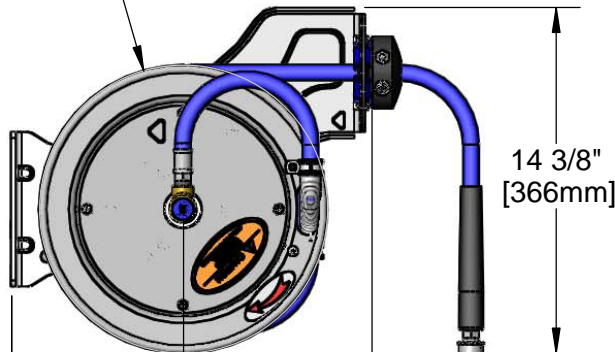


3/8" NPT Female Inlet  
(Left Side of Reel)

Open Stainless Steel Hose Reel;  
15 Ft. of 3/8" Hose



Ø 12"  
[305mm]



14 3/8"  
[366mm]

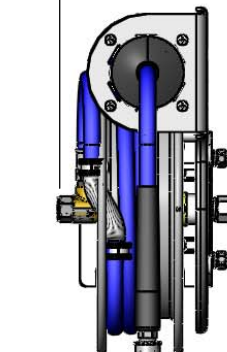
7 3/16"  
[182mm]

15"  
[381mm]

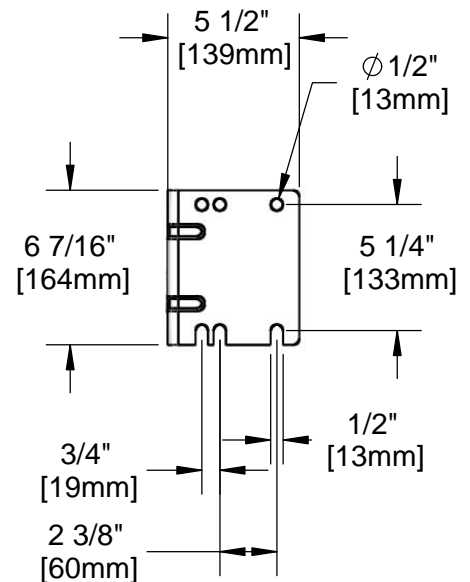
019652-40  
3/8" NPT  
Live Swivel

**EB-2322**  
Extended Spray Wand  
w/ Blue Spray Valve &  
Adjustable Spray Pattern Outlet

7 1/4"  
[184mm]



Mounting Hole Details



Product Specifications:

Hose Reel System:

3/8" x 15 Ft. Open Stainless Steel Reel w/ Extended Spray Wand & Blue Spray Valve & Swivel

Product Compliance:

NSF 61 Exempt (Non-Potable)  
EPA Act 2005 Non-Compliant (PRSV)



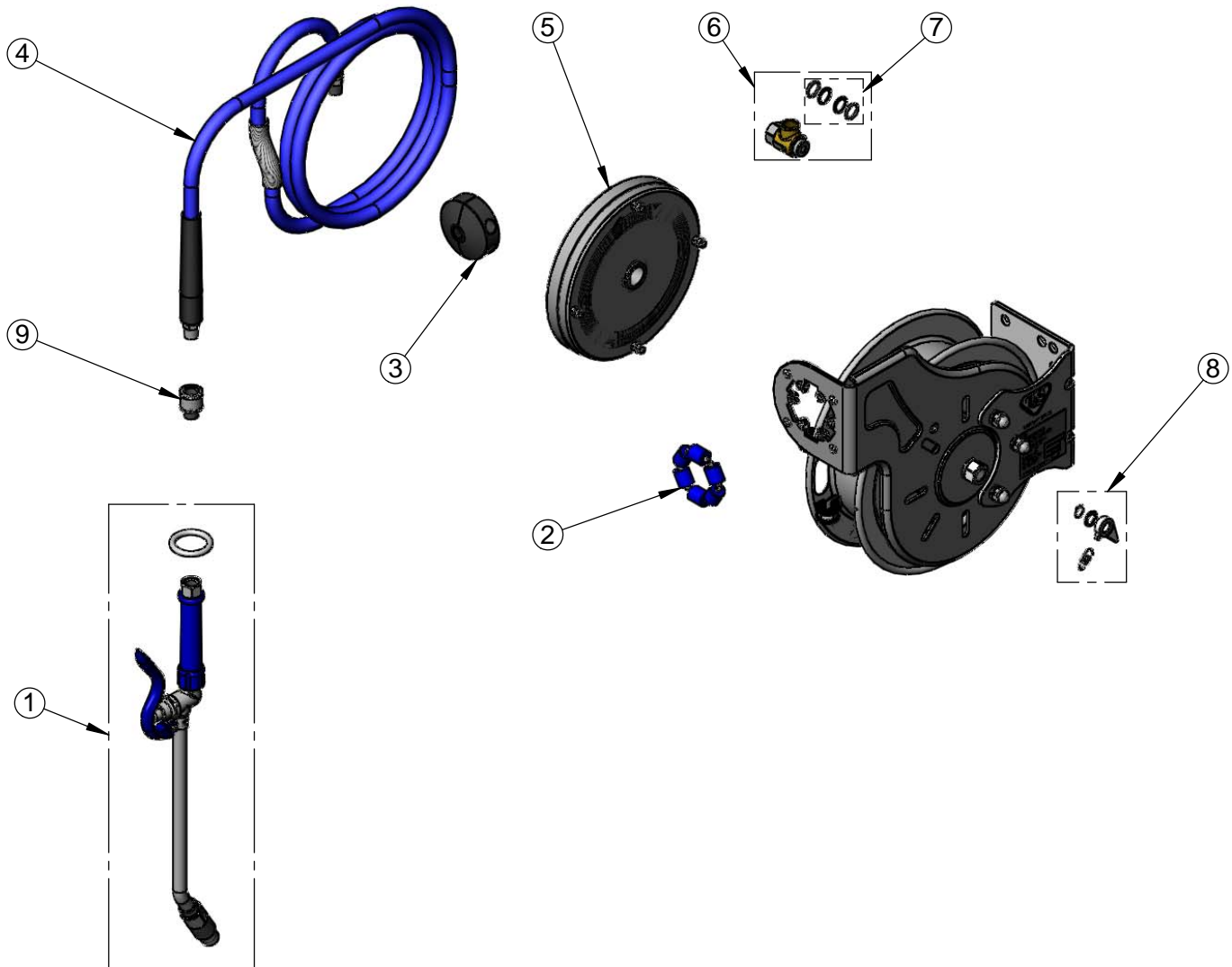
**T&S BRASS AND BRONZE WORKS, INC.**  
 2 Saddleback Cove / P.O. Box 1088  
 Travelers Rest, SC 29690

Model No.  
**B-7112-10**

Item No.

Travelers Rest, SC: 800-476-4103 • Simi Valley, CA: 800-423-0150 • Fax: 864-834-3518 • www.tsbrass.com

ITEM NO.	SALES NO.	DESCRIPTION
1	<a href="#">EB-2322</a>	Extended Wand Spray Valve
2	<a href="#">014938-45</a>	Roller Assembly Repair Kit
3	<a href="#">014949-45</a>	Hose Stop Repair Kit
4	<a href="#">014944-45</a>	3/8" X 15' Hose Replacement Kit
5	<a href="#">014933-45</a>	Small SS Spring Assembly
6	<a href="#">014946-45</a>	3/8" Swivel Repair Kit
7	<a href="#">014948-45</a>	O-Ring Replacement Kit
8	<a href="#">014940-45</a>	Ratchet Repair Kit
9	<a href="#">019652-40</a>	3/8" NPT Live Swivel



Product Specifications:  
 Hose Reel System:  
 3/8" x 15 Ft. Open Stainless Steel Reel w/ Extended Spray Wand & Blue Spray Valve & Swivel

Product Compliance:  
 NSF 61 Exempt (Non-Potable)  
 EPA Act 2005 Non-Compliant (PRSV)