



**T&S BRASS AND BRONZE WORKS, INC.**  
 2 Saddleback Cove / P.O. Box 1088  
 Travelers Rest, SC 29690

Model No.  
**B-7122-C01-STB**

Item No.

Travelers Rest, SC: 800-476-4103 • Simi Valley, CA: 800-423-0150 • Fax: 864-834-3518 • www.tsbrass.com

This Space for Architect/Engineer Approval

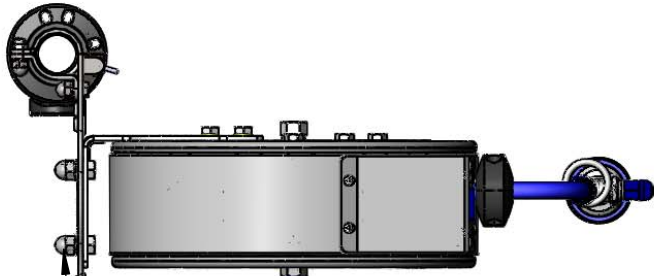
Job Name \_\_\_\_\_ Date \_\_\_\_\_

Model Specified \_\_\_\_\_ Quantity \_\_\_\_\_

Customer/Wholesaler \_\_\_\_\_

Contractor \_\_\_\_\_

Architect/Engineer \_\_\_\_\_

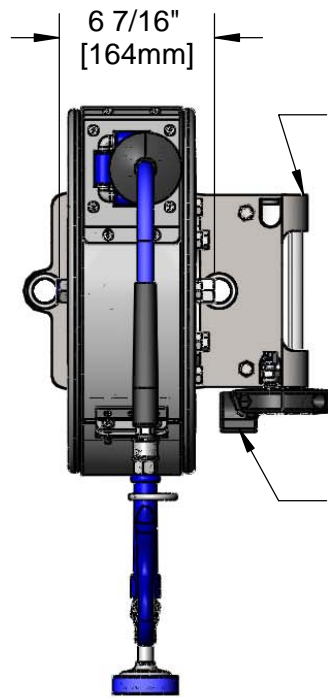
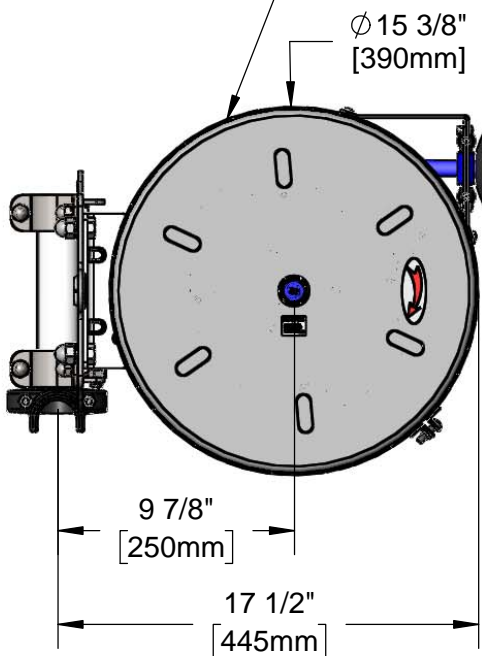


3/8" NPT Female Inlet  
 (Left Side of Reel)

Stainless Steel  $\phi$  1-5/8" Table Leg Mount  
 Swing Bracket w/ 180° Multiple Locking Position  
 Rotation

Mounting Hardware Included  
 for Hose Reel to Bracket

Enclosed Stainless  
 Steel Hose Reel  
 30' of 3/8" Hose



Bracket Can Be Mounted to  
 Swing Either Left or Right

Must Have  $\phi$  1-5/8" Horizontal  
 Support Attached to Table Leg

019652-40  
 3/8" NPT  
 Live Swivel

EB-0107  
 High Flow  
 Spray Valve

Product Specifications:  
 3/8" x 30' Enclosed Stainless Steel Reel, High Flow Spray Valve w/ Swivel,  
 180 Degree Stainless Steel Table Leg Multiple Locking Position Swing Bracket  
 w/ Mounting Hardware for Hose Reel to Bracket

Product Compliance:  
 NSF 61 Exempt (Non-Potable)  
 EPA Act 2005 Non-Compliant (PRSV)



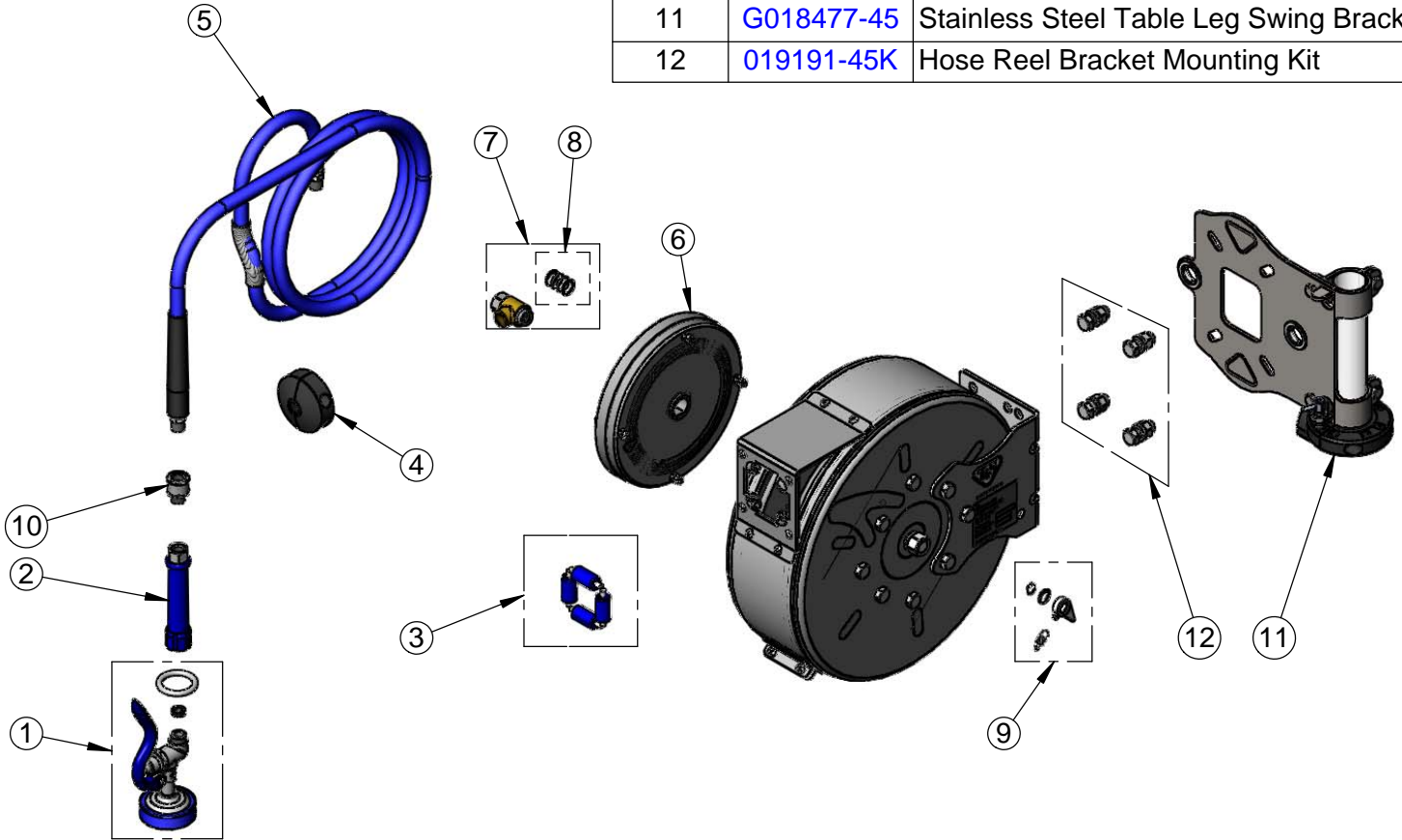
**T&S BRASS AND BRONZE WORKS, INC.**  
 2 Saddleback Cove / P.O. Box 1088  
 Travelers Rest, SC 29690

Model No.  
**B-7122-C01-STB**

Item No.

Travelers Rest, SC: 800-476-4103 • Simi Valley, CA: 800-423-0150 • Fax: 864-834-3518 • www.tsbrass.com

ITEM NO.	SALES NO.	DESCRIPTION
1	EB-0107	High Flow Spray Valve (Blue)
2	012504-40	Grip Handle (Blue) w/ Washer
3	014936-45	Roller Repair Kit
4	014949-45	Hose Stop Repair Kit
5	014943-45	3/8" x 30' Hose Replacement Kit
6	014933-45	Small Stainless Steel Spring
7	014946-45	3/8" Swivel Repair Kit
8	014948-45	O-Ring Replacement Kit
9	014940-45	Ratchet Repair Kit
10	019652-40	3/8" NPT Live Swivel
11	G018477-45	Stainless Steel Table Leg Swing Bracket
12	019191-45K	Hose Reel Bracket Mounting Kit



**Product Specifications:**  
 3/8" x 30' Enclosed Stainless Steel Reel, High Flow Spray Valve w/ Swivel,  
 180 Degree Stainless Steel Table Leg Multiple Locking Position Swing Bracket  
 w/ Mounting Hardware for Hose Reel to Bracket

**Product Compliance:**  
 NSF 61 Exempt (Non-Potable)  
 EPAAct 2005 Non-Compliant (PRSV)