



T&S BRASS AND BRONZE WORKS, INC.

2 Saddleback Cove / P.O. Box 1088
Travelers Rest, SC 29690

Model No.

B-7132-U03XS2C

Item No.

Travelers Rest, SC: 800-476-4103 • Simi Valley, CA: 800-423-0150 • Fax: 864-834-3518 • www.tsbrass.com

This Space for Architect/Engineer Approval

Job Name _____ Date _____

Model Specified _____ Quantity _____

Customer/Wholesaler _____

Contractor _____

Architect/Engineer _____

B-0963

Continuous Pressure
Vacuum Breaker w/
Integral Check Valve

3/8" NPT x 36"
Flexible Water
Hose Connector

(2) **B-CVH1-2**
1/2" NPT
Check Valves
(Included)

Open Stainless Steel
Hose Reel
w/ 35' of 3/8" Hose

019652-40
3/8" NPT
Live Swivel

MV-2516-34
Stainless Steel Rear
Trigger Water Gun w/
7/16" Orifice

64 3/4"
[1645mm]

3/8" NPT x 40" Riser

Stainless Steel
Quick Disconnect

Control Valve

EasyInstall
3/8" NPT x 16"
Riser

(2) **B-0109-07**
Wall Brackets

3 11/16"
[93mm]

8" Wall Mount
Mixing Faucet,
Quarter-Turn
Cerama Cartridges
w/ Check Valves
& Lever Handles
w/ Color Coded
Indexes

12 5/8"
[321mm]

5 1/2"
[139mm]

Ø 1/2"
[13mm]
TYP

17 13/16"
[453mm]

Ø 2" [51mm]
Flanges w/
1/2" NPT
Female Inlets

Adjustable From
7 3/4" to 8 1/4"
[197mm to 210mm]

3/4"
[19mm]

6 7/16"
[164mm]

5 1/4"
[133mm]

2 3/8"
[61mm]

2 3/8"
[60mm]

1/2"
[13mm]
TYP

Product Specifications:

Open Stainless Steel Hose Reel w/ 35' of 3/8" Hose, Stainless Steel Rear Trigger Water Gun w/ Swivel, Vacuum Breaker, 3/8" NPT Flexible Water Hose, 8" Wall Mount Mixing Faucet, 1/2" NPT Check Valves, Wall Brackets & Control Valve

Product Compliance:

NSF 61 Exempt (Non-Potable)
2019 DOE PRSV Non-Compliant
ASSE 1056 (VB)



T&S BRASS AND BRONZE WORKS, INC.

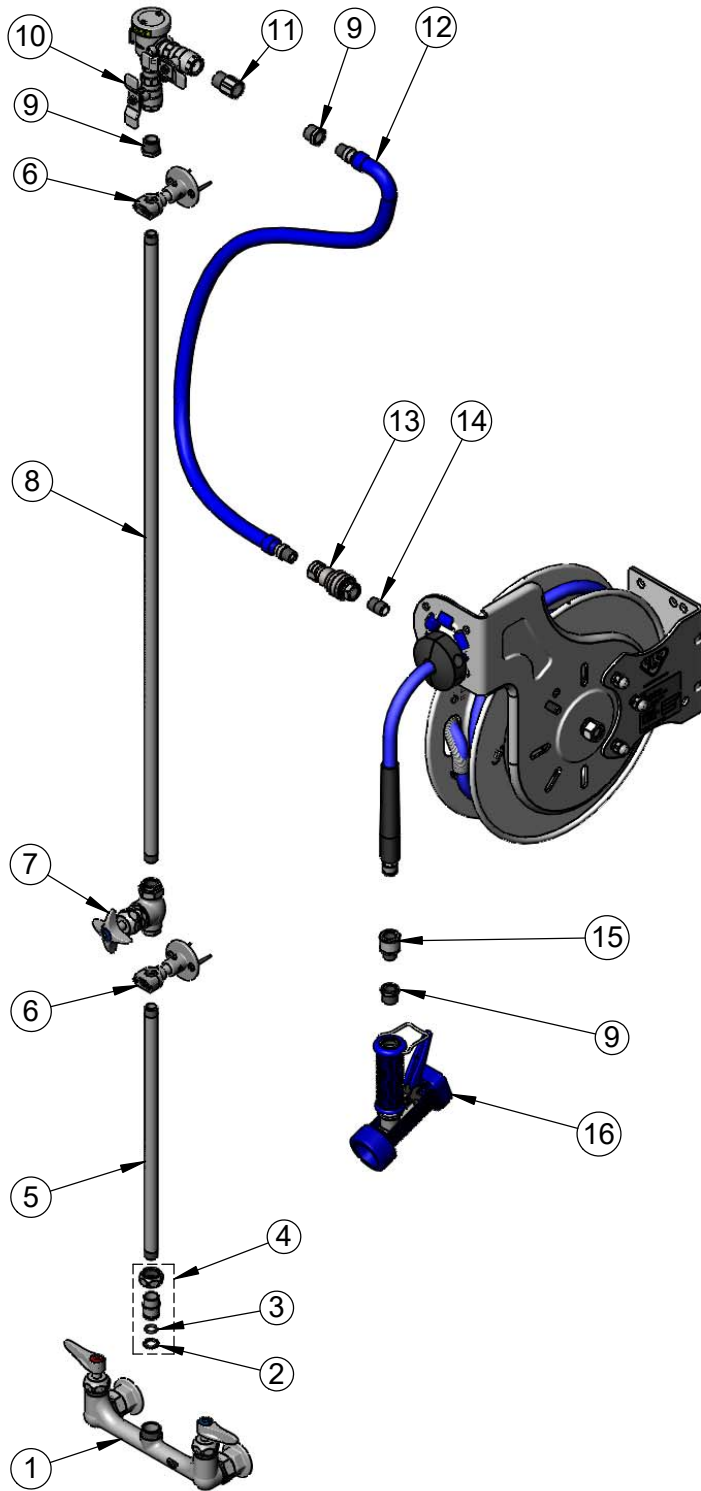
2 Saddleback Cove / P.O. Box 1088
Travelers Rest, SC 29690

Model No.

B-7132-U03XS2C

Item No.

Travelers Rest, SC: 800-476-4103 • Simi Valley, CA: 800-423-0150 • Fax: 864-834-3518 • www.tsbrass.com



ITEM NO.	SALES NO.	DESCRIPTION
1	B-0230-CR-LN	8" Wall Mount Mixing Faucet
2	014200-45	Star Washer, Anti-Rotation
3	001065-45	O-Ring
4	EZ-K	EasyInstall Kit
5	000368-40	Nipple, 3/8" x 16"
6	B-0109-07	Wall Bracket
7	0RK3	Control Valve
8	002558-40	3/8" NPT x 40" Riser
9	001359-40	Hex Bushing, 1/2" NPT Male x 3/8" NPT Female
10	B-0963	Vacuum Breaker 1/2" NPT Female
11	015073-40	Check Valve w/ 1/2" NPT Adapter
12	HW-2B-36	3/8" NPT x 36" Flexible Water Hose
13	AW-5B	3/8" NPT Quick Disconnect
14	002535-25	3/8" Close Nipple
15	019652-40	3/8" NPT Live Swivel
16	MV-2516-34	Stainless Steel Rear Trigger Water Gun w/ Blue Rubber Cover, 7/16" Flow Orifice



(2) B-CVH1-2
1/2" NPT Check Valve

Product Specifications:

Open Stainless Steel Hose Reel w/ 35' of 3/8" Hose, Stainless Steel Rear Trigger Water Gun w/ Swivel, Vacuum Breaker, 3/8" NPT Flexible Water Hose, 8" Wall Mount Mixing Faucet, 1/2" NPT Check Valves, Wall Brackets & Control Valve

Product Compliance:

NSF 61 Exempt (Non-Potable)
2019 DOE PRSV Non-Compliant
ASSE 1056 (VB)