



T&S BRASS AND BRONZE WORKS, INC.

2 Saddleback Cove / P.O. Box 1088
Travelers Rest, SC 29690

Model No.

B-7132-U03XS6

Item No.

Travelers Rest, SC: 800-476-4103 • Simi Valley, CA: 800-423-0150 • Fax: 864-834-3518 • www.tsbrass.com

This Space for Architect/Engineer Approval

Job Name _____ Date _____

Model Specified _____ Quantity _____

Customer/Wholesaler _____

Contractor _____

Architect/Engineer _____

B-0963

Continuous Pressure
Vacuum Breaker w/
Integral Check Valve

B-0109-01

Wall Bracket

3/8" NPT x 36"
Flexible Water
Connector

EasyInstall
3/8" NPT x 18" Riser

Swivel Elbow w/
2" Ø [51mm] Flange,
1/2" NPT Female Inlet

3/8" NPT x 22" Risers

Control Valve
w/ Ø 2 3/4"
[70mm] Adjustable
Flange

3/8" NPT x 12" Riser

6"
[152mm]

8"
[203mm]

B-1035-ST

8" Concealed Bypass Mixing Faucet w/
Quarter-Turn Eterna Cartridges w/ Spring
Checks, Lever Handles & Color Coded Indexes

Stainless Steel
Quick Disconnect

Open Stainless
Steel Hose Reel
w/ 35' of 3/8"
Hose

019652-40

3/8" NPT
Live Swivel

MV-2516-34
Rear-Trigger
Spray Gun

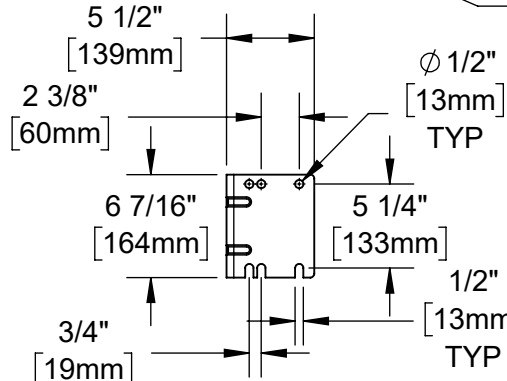
Mounting
Surface

14 3/8"
[365mm]

3 1/2"
[90mm]

25"
[635mm]

24"
[610mm]



Product Specifications:

Open Stainless Steel Hose Reel w/ 35' of 3/8" Hose, 7/16" Rear Trigger Spray Gun w/ Swivel, Vacuum Breaker, 3/8" NPT Flexible Water Connector, 8" Concealed Bypass Mixing Faucet w/ Loose Key Stops and 6" Tear Drop Wall Flanges & Control Valve

Product Compliance:

NSF 61 Exempt (Non-Potable)
2019 DOE PRSV Non-Compliant
ASSE 1056 (VB)



T&S BRASS AND BRONZE WORKS, INC.

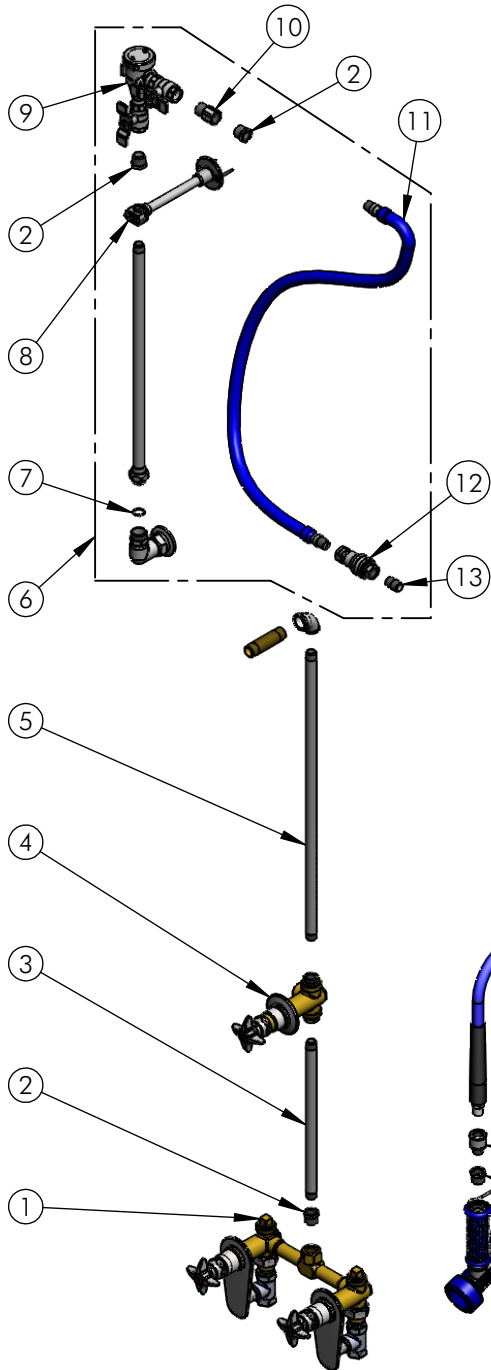
2 Saddleback Cove / P.O. Box 1088
Travelers Rest, SC 29690

Model No.

B-7132-U03XS6

Item No.

Travelers Rest, SC: 800-476-4103 • Simi Valley, CA: 800-423-0150 • Fax: 864-834-3518 • www.tsbrass.com



ITEM NO.	SALES NO.	DESCRIPTION
1	B-1035-ST	8" Concealed Bypass Mixing Faucet w/ Teardrop Flange
2	001359-40	1/2" NPT Male x 3/8" NPT Female Hex Bushing
3	145X	3/8" NPT x 12" Riser
4	0RK2	Control Valve
5	000371-40	3/8" NPT x 22" Riser
6	0RK-SK	Hose Reel Connector Kit
7	014200-45	Star Washer, Anti-Rotation
8	B-0109-01	Wall Bracket
9	B-0963	Vacuum Breaker 1/2" NPT Female
10	015073-40	Check Valve w/ 1/2" NPT Adapter
11	HW-2B-36	3/8" NPT x 36" Flexible Water Hose
12	AW-5B	3/8" NPT Quick Disconnect
13	002535-25	3/8" Close Nipple
14	019652-40	3/8" NPT Live Swivel
15	MV-2516-34	High Flow 7/16" Orifice Rear Trigger Spray Gun

Product Specifications:

Open Stainless Steel Hose Reel w/ 35' of 3/8" Hose, 7/16" Rear Trigger Spray Gun w/ Swivel, Vacuum Breaker, 3/8" NPT Flexible Water Connector, 8" Concealed Bypass Mixing Faucet w/ Loose Key Stops and 6" Tear Drop Wall Flanges & Control Valve

Product Compliance:

NSF 61 Exempt (Non-Potable)
2019 DOE PRSV Non-Compliant
ASSE 1056 (VB)