

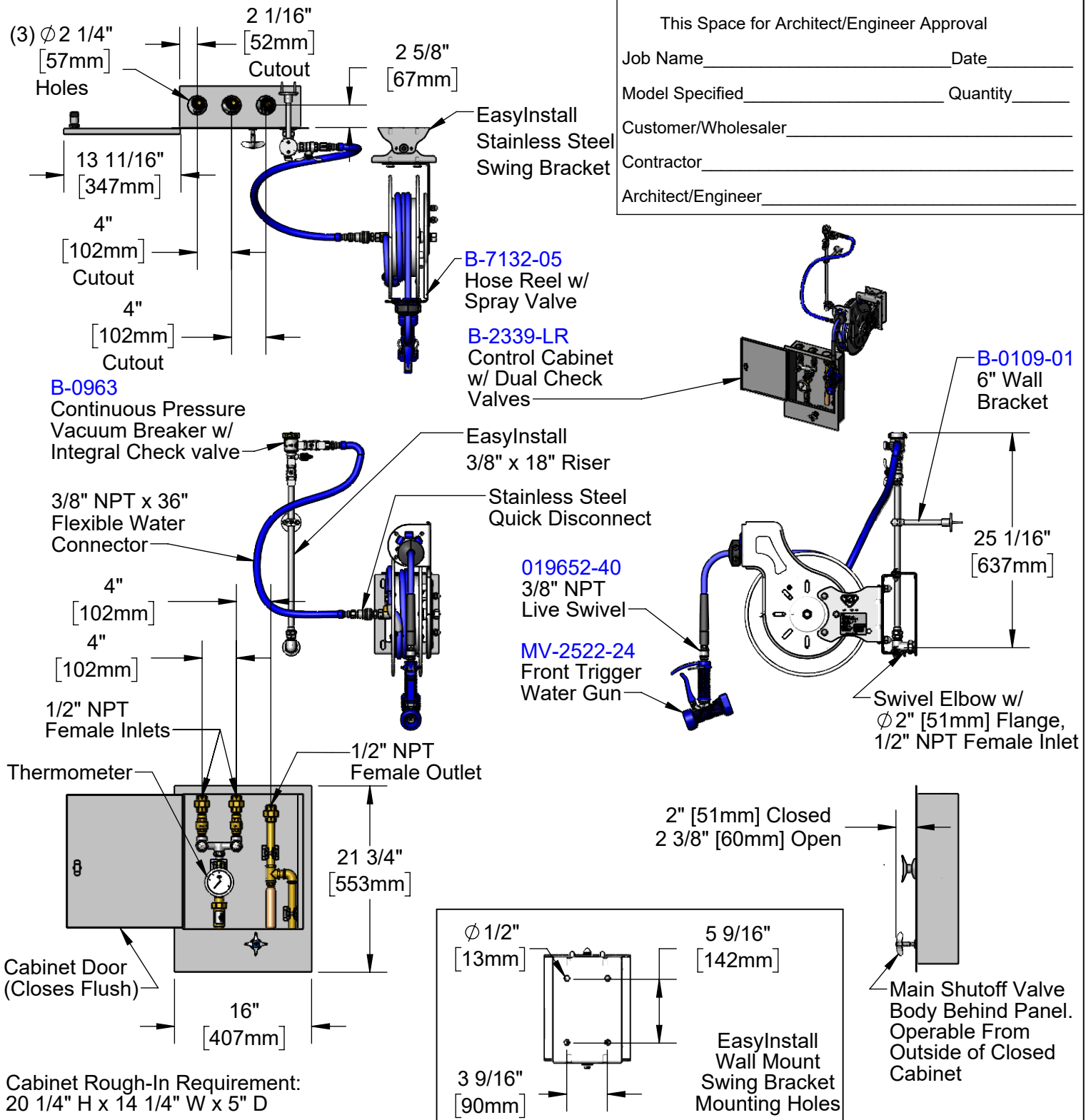


**T&S BRASS AND BRONZE WORKS, INC.**  
 2 Saddleback Cove / P.O. Box 1088  
 Travelers Rest, SC 29690

Model No.  
**B-7132-U05WS5**

Item No.

Travelers Rest, SC: 800-476-4103 • Simi Valley, CA: 800-423-0150 • Fax: 864-834-3518 • www.tsbrass.com



This Space for Architect/Engineer Approval

Job Name \_\_\_\_\_ Date \_\_\_\_\_

Model Specified \_\_\_\_\_ Quantity \_\_\_\_\_

Customer/Wholesaler \_\_\_\_\_

Contractor \_\_\_\_\_

Architect/Engineer \_\_\_\_\_

**Product Specifications:**  
 Stainless Steel Hose Reel w/ 35' Hose, High Flow Water Gun w/ Swivel, Rinse Control Cabinet w/ Control Valve, Dual Check Valves, Thermometer and Water Hammer Arrestor, 100 Degree EasyInstall Stainless Steel Swing Bracket w/ Mounting Hardware & Hose Reel Connector Kit

**Product Compliance:**  
 NSF 61 Exempt (Non-Potable)  
 ASSE 1024 (VB)  
 ASSE 1010 (Arrestor)  
 2019 DOE PRSV Non-Compliant  
 ASSE 1056 (VB)



# T&S BRASS AND BRONZE WORKS, INC.

2 Saddleback Cove / P.O. Box 1088  
Travelers Rest, SC 29690

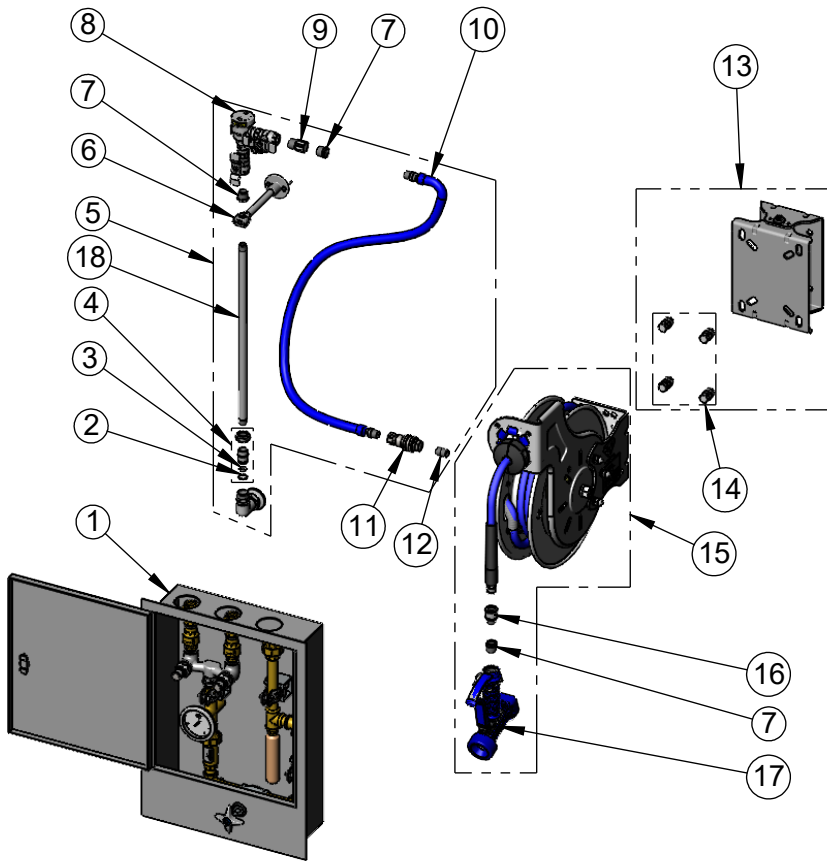
Model No.

**B-7132-U05WS5**

Item No.

Travelers Rest, SC: 800-476-4103 • Simi Valley, CA: 800-423-0150 • Fax: 864-834-3518 • www.tsbrass.com

ITEM NO.	SALES NO.	DESCRIPTION
1	B-2339-LR	Reel Control Cabinet w/ Control Valve, Dual Check Valves & Thermometer
2	014200-45	Star Washer, Anti-Rotation
3	001065-45	O-Ring
4	EZ-K	EasyInstall Kit: Nut, Bushing, O-Ring & Lock Washer
5	0RK-SK	Hose Reel Connector Kit
6	B-0109-01	6" Wall Bracket
7	001359-40	Hex Bushing, 1/2" NPT Male x 3/8" NPT Female
8	B-0963	Vacuum Breaker 1/2" NPT Female
9	015073-40	Check Valve w/ 1/2" NPT Adapter
10	HW-2B-36	3/8" NPT x 36" Flexible Water Hose
11	AW-5B	3/8" NPT Quick Disconnect
12	002535-25	3/8" Close Nipple
13	G019430-45	EasyInstall Hose Reel Stainless Steel Swing Bracket
14	019191-45K	Hose Reel Mounting Kit
15	B-7132-05	Open Stainless Steel Reel w/ 35' of 3/8" Hose w/ Front Trigger Water Gun
16	019652-40	3/8" NPT Live Swivel
17	MV-2522-24	Stainless Steel Water Gun, Front Trigger
18	000369-40	3/8" NPT x 18" Riser



**Product Specifications:**

Stainless Steel Hose Reel w/ 35' Hose, High Flow Water Gun w/ Swivel, Rinse Control Cabinet w/ Control Valve, Dual Check Valves, Thermometer and Water Hammer Arrestor, 100 Degree EasyInstall Stainless Steel Swing Bracket w/ Mounting Hardware & Hose Reel Connector Kit

**Product Compliance:**

NSF 61 Exempt (Non-Potable)  
ASSE 1024 (VB)  
ASSE 1010 (Arrestor)  
2019 DOE PRSV Non-Compliant  
ASSE 1056 (VB)