



T&S BRASS AND BRONZE WORKS, INC.
 2 Saddleback Cove / P.O. Box 1088
 Travelers Rest, SC 29690

Model No.
B-7133-05

Item No.

Travelers Rest, SC: 800-476-4103 • Simi Valley, CA: 800-423-0150 • Fax: 864-834-3518 • www.tsbrass.com

This Space for Architect/Engineer Approval

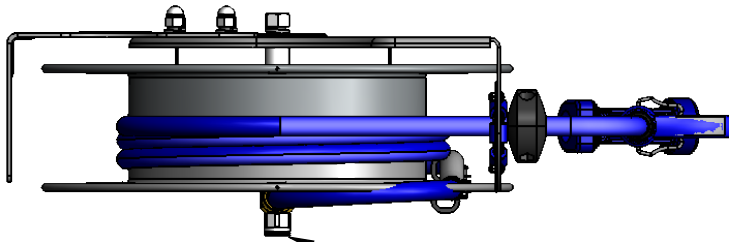
Job Name _____ Date _____

Model Specified _____ Quantity _____

Customer/Wholesaler _____

Contractor _____

Architect/Engineer _____



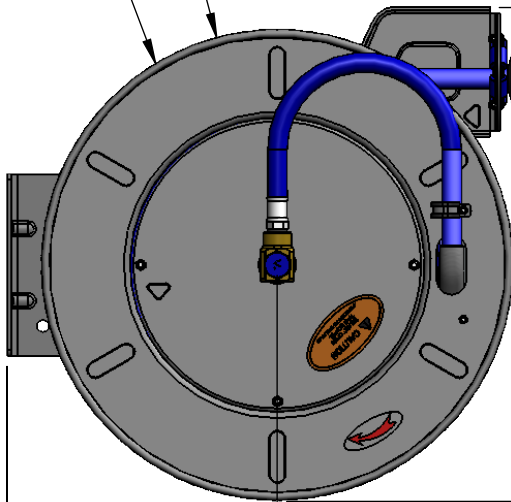
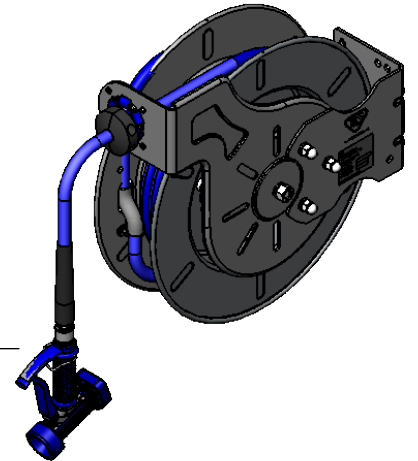
1/2" NPT Female Inlet
 (Left Side of Reel)

Open Stainless Steel Hose Reel
 35' of 1/2" Hose

Ø 19 5/8"
 [498mm]

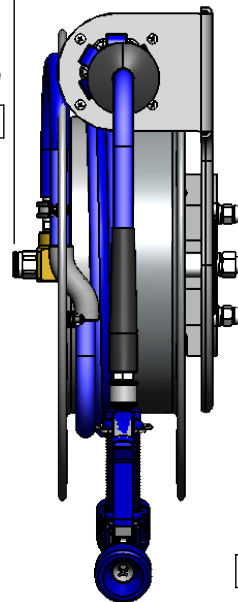
9 9/16"
 [242mm]

20 9/16"
 [523mm]



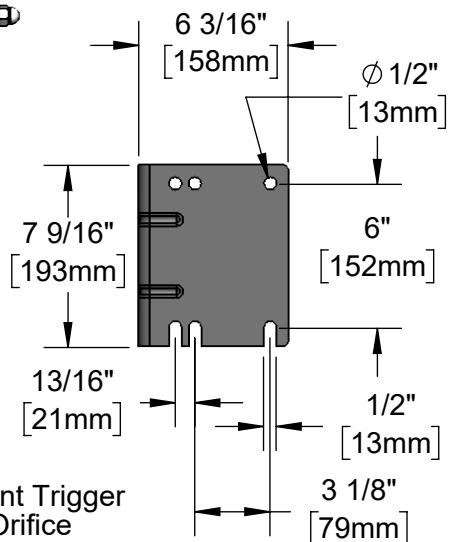
11 1/4"
 [286mm]

21 1/16"
 [535mm]



019653-40
 1/2" NPT
 Live Swivel

MV-2522-24
 Stainless Steel Front Trigger
 Water Gun, 5/16" Orifice



6 3/16"
 [158mm]

Ø 1/2"
 [13mm]

6"
 [152mm]

7 9/16"
 [193mm]

13/16"
 [21mm]

1/2"
 [13mm]

3 1/8"
 [79mm]

Product Specifications:
 1/2" x 35' Open Stainless Steel Reel w/ Stainless Steel Front Trigger
 Water Gun with Rubber Cover & Swivel, 5/16" Flow Orifice
 and 1/2" NPT Female Inlet

Product Compliance:
 NSF 61 Exempt (Non-Potable)



T&S BRASS AND BRONZE WORKS, INC.

2 Saddleback Cove / P.O. Box 1088
Travelers Rest, SC 29690

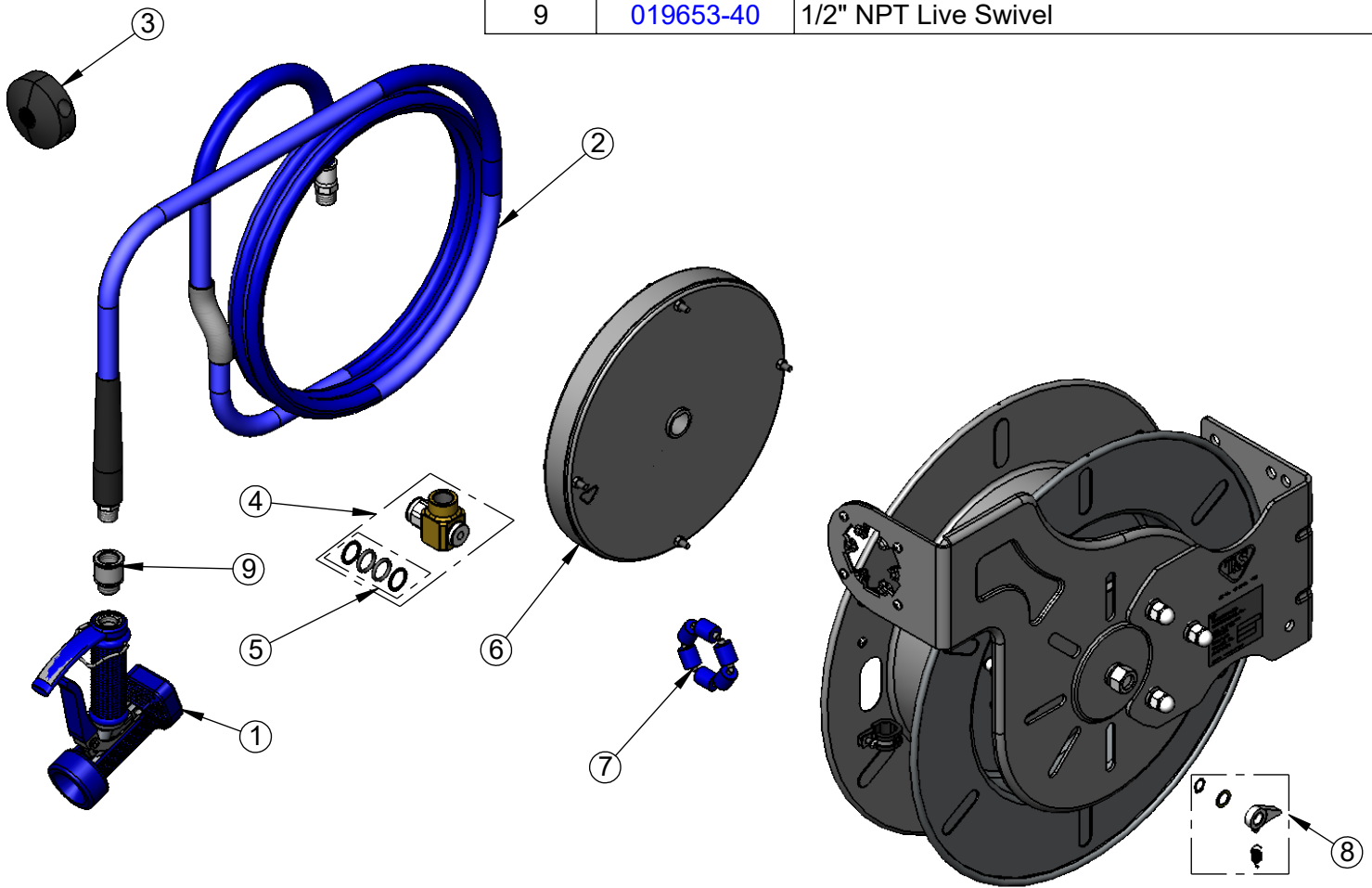
Model No.

B-7133-05

Item No.

Travelers Rest, SC: 800-476-4103 • Simi Valley, CA: 800-423-0150 • Fax: 864-834-3518 • www.tsbrass.com

| ITEM NO. | SALES NO. | DESCRIPTION |
|----------|----------------------------|--|
| 1 | MV-2522-24 | Stainless Steel Front Trigger Water Gun w/ Blue Rubber Cover, 5/16" Flow Orifice |
| 2 | 015089-45 | 1/2" x 35' Hose Replacement Kit |
| 3 | 019499-45 | 1/2" Hose Stop Repair Kit |
| 4 | 014947-45 | 1/2" Swivel Repair Kit |
| 5 | 019473-45 | O-Ring Replacement Kit |
| 6 | 014935-45 | Large Stainless Steel Spring |
| 7 | 014938-45 | Roller Replacement Kit |
| 8 | 014940-45 | Ratchet Repair Kit |
| 9 | 019653-40 | 1/2" NPT Live Swivel |



Product Specifications:

1/2" x 35' Open Stainless Steel Reel w/ Stainless Steel Front Trigger Water Gun with Rubber Cover & Swivel, 5/16" Flow Orifice and 1/2" NPT Female Inlet

Product Compliance:

NSF 61 Exempt (Non-Potable)