



**T&S BRASS AND BRONZE WORKS, INC.**  
 2 Saddleback Cove / P.O. Box 1088  
 Travelers Rest, SC 29690

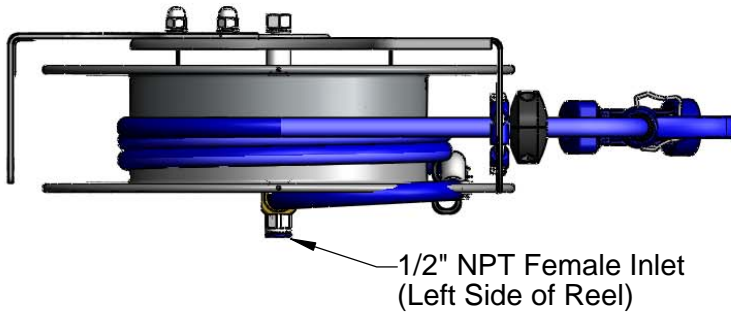
Model No.  
**B-7133-06**

Item No.

Travelers Rest, SC: 800-476-4103 • Simi Valley, CA: 800-423-0150 • Fax: 864-834-3518 • www.tsbrass.com

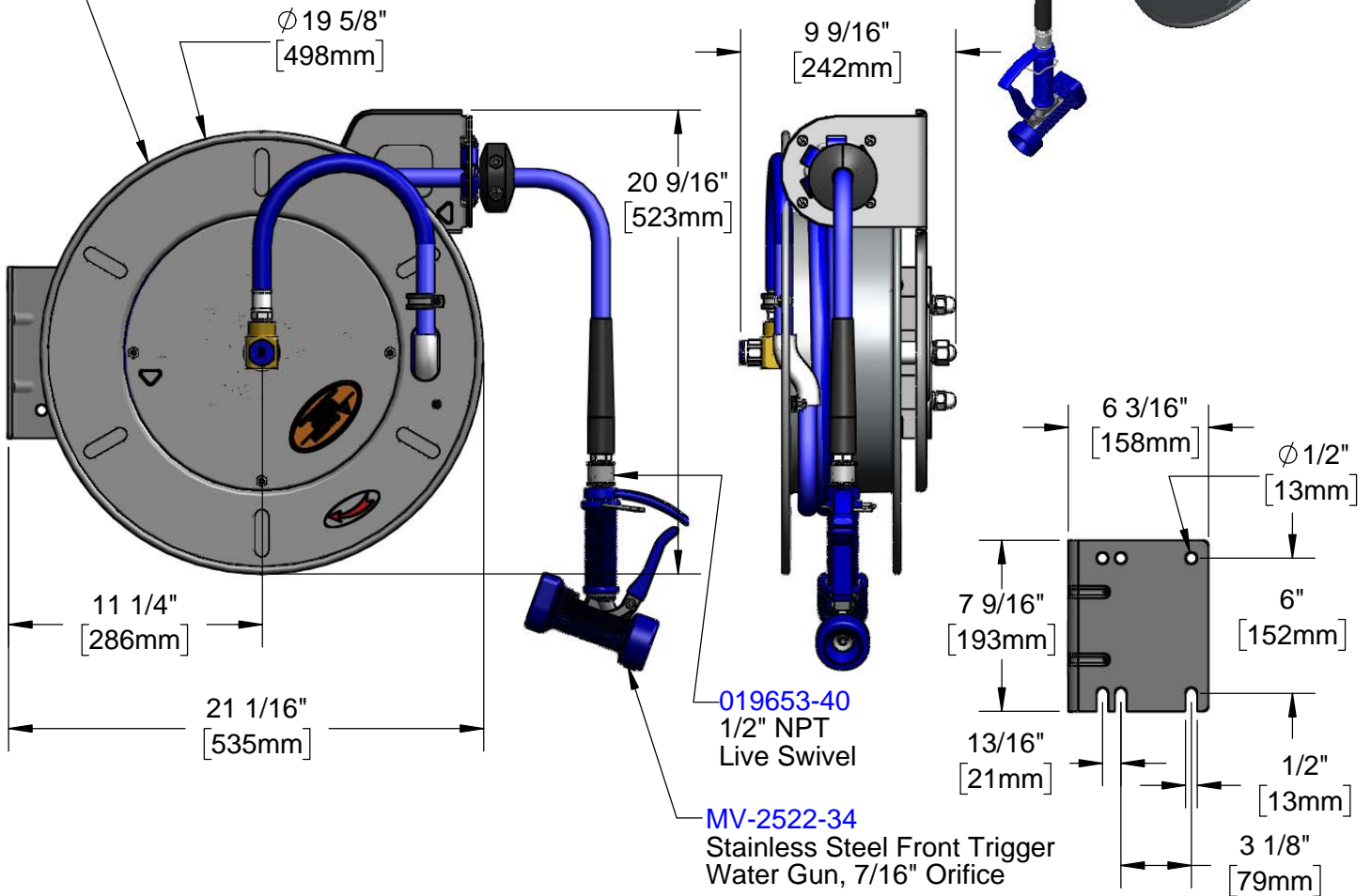
This Space for Architect/Engineer Approval

Job Name \_\_\_\_\_ Date \_\_\_\_\_  
 Model Specified \_\_\_\_\_ Quantity \_\_\_\_\_  
 Customer/Wholesaler \_\_\_\_\_  
 Contractor \_\_\_\_\_  
 Architect/Engineer \_\_\_\_\_



1/2" NPT Female Inlet  
 (Left Side of Reel)

Open Stainless Steel Hose Reel  
 35' of 1/2" Hose



Product Specifications:  
 1/2" x 35' Open Stainless Steel Reel w/ Stainless Steel Front Trigger Water Gun with Rubber Cover & Swivel, 7/16" Flow Orifice and 1/2" NPT Female Inlet

Product Compliance:  
 NSF 61 Exempt (Non-Potable)



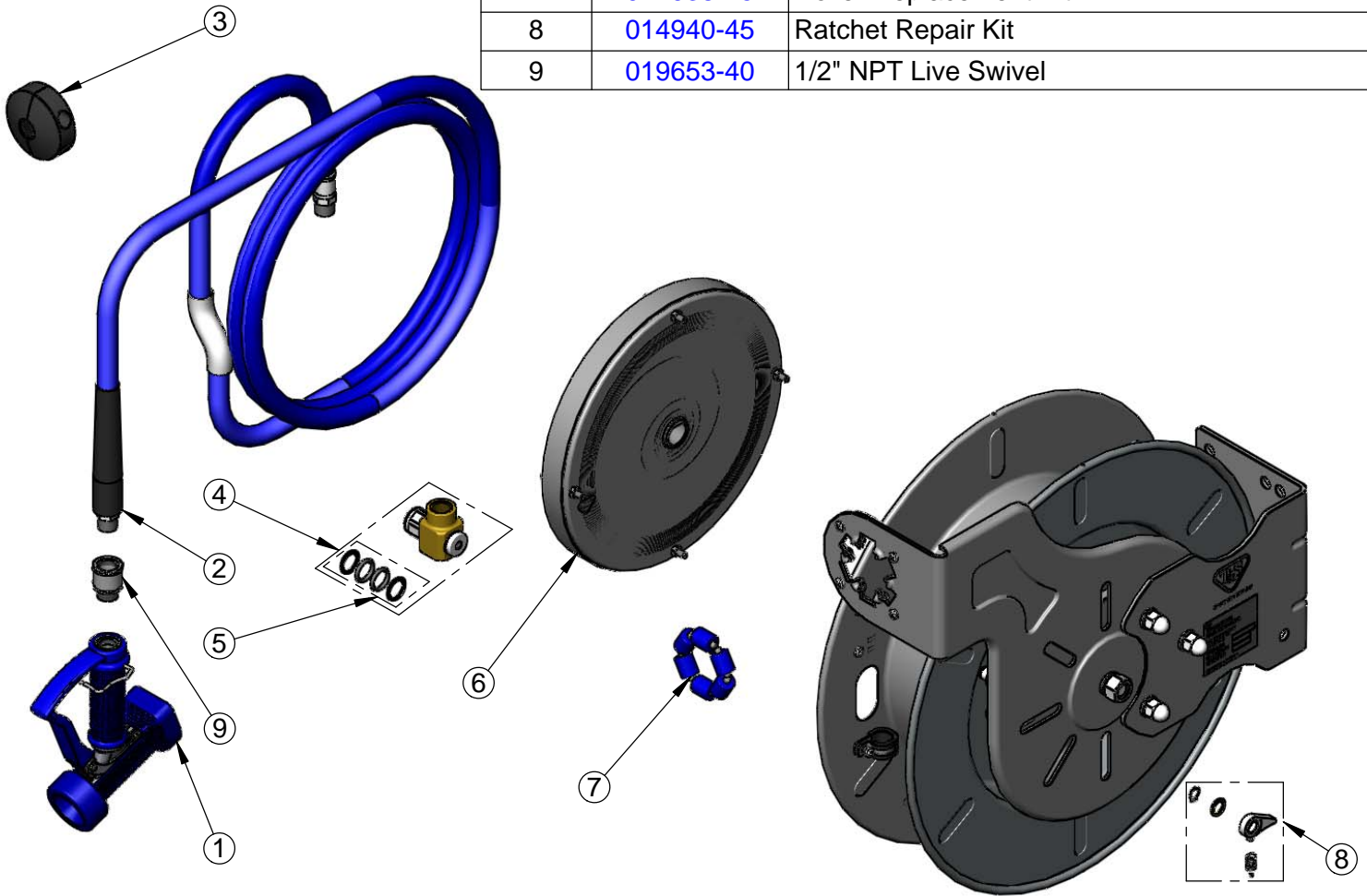
**T&S BRASS AND BRONZE WORKS, INC.**  
 2 Saddleback Cove / P.O. Box 1088  
 Travelers Rest, SC 29690

Model No.  
**B-7133-06**

Item No.

Travelers Rest, SC: 800-476-4103 • Simi Valley, CA: 800-423-0150 • Fax: 864-834-3518 • www.tsbrass.com

ITEM NO.	SALES NO.	DESCRIPTION
1	<a href="#">MV-2522-34</a>	Stainless Steel Front Trigger Water Gun w/ Blue Rubber Cover, 7/16" Flow Orifice
2	<a href="#">015089-45</a>	1/2" x 35' Hose Replacement Kit
3	<a href="#">019499-45</a>	1/2" Hose Stop Repair Kit
4	<a href="#">014947-45</a>	1/2" Swivel Repair Kit
5	<a href="#">019473-45</a>	O-Ring Replacement Kit
6	<a href="#">014935-45</a>	Large Stainless Steel Spring
7	<a href="#">014938-45</a>	Roller Replacement Kit
8	<a href="#">014940-45</a>	Ratchet Repair Kit
9	<a href="#">019653-40</a>	1/2" NPT Live Swivel



Product Specifications:  
 1/2" x 35' Open Stainless Steel Reel w/ Stainless Steel Front Trigger Water Gun with Rubber Cover & Swivel, 7/16" Flow Orifice and 1/2" NPT Female Inlet

Product Compliance:  
 NSF 61 Exempt (Non-Potable)