



**T&S BRASS AND BRONZE WORKS, INC.**  
 2 Saddleback Cove / P.O. Box 1088  
 Travelers Rest, SC 29690

Model No.  
**B-7212-01-STB**

Item No.

Travelers Rest, SC: 800-476-4103 • Simi Valley, CA: 800-423-0150 • Fax: 864-834-3518 • www.tsbrass.com

This Space for Architect/Engineer Approval

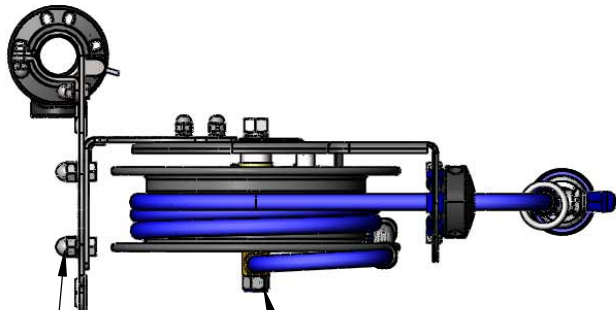
Job Name \_\_\_\_\_ Date \_\_\_\_\_

Model Specified \_\_\_\_\_ Quantity \_\_\_\_\_

Customer/Wholesaler \_\_\_\_\_

Contractor \_\_\_\_\_

Architect/Engineer \_\_\_\_\_



3/8" NPT Female Inlet  
 (Left Side of Reel)

Stainless Steel  $\phi$  1-5/8" Table Leg Mount  
 Swing Bracket w/ 180° Multiple Locking Position  
 Rotation

Mounting Hardware Included  
 for Hose Reel to Bracket

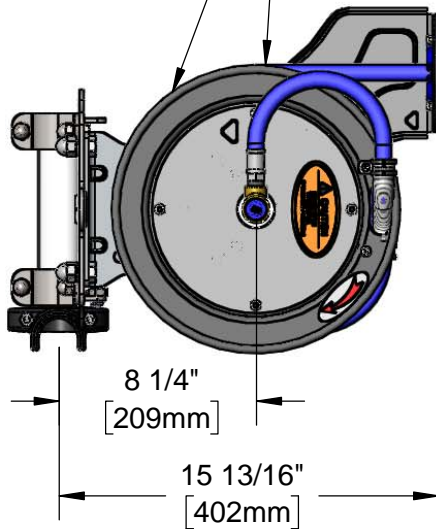


Epoxy Coated Open  
 Hose Reel  
 15' of 3/8" Hose

$\phi$  12"  
 [305mm]

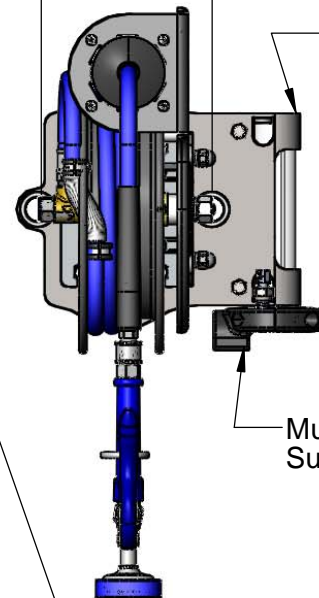
7 1/8"  
 [164mm]

Bracket Can Be Mounted to  
 Swing Either Left or Right



8 1/4"  
 [209mm]

15 13/16"  
 [402mm]



Must Have  $\phi$  1-5/8" Horizontal  
 Support Attached to Table Leg

**EB-0107**  
 High Flow  
 Spray Valve

**019652-40**  
 3/8" NPT  
 Live Swivel

Product Specifications:  
 3/8" x 15' Epoxy Coated Open Reel, High Flow Spray Valve & 180 Degree  
 Stainless Steel Table Leg Multiple Locking Position Swing Bracket w/ Mounting  
 Hardware for Hose Reel to Bracket

Product Compliance:  
 NSF 61 Exempt (Non-Potable)  
 EPA Act 2005 Non-Compliant (PRSV)



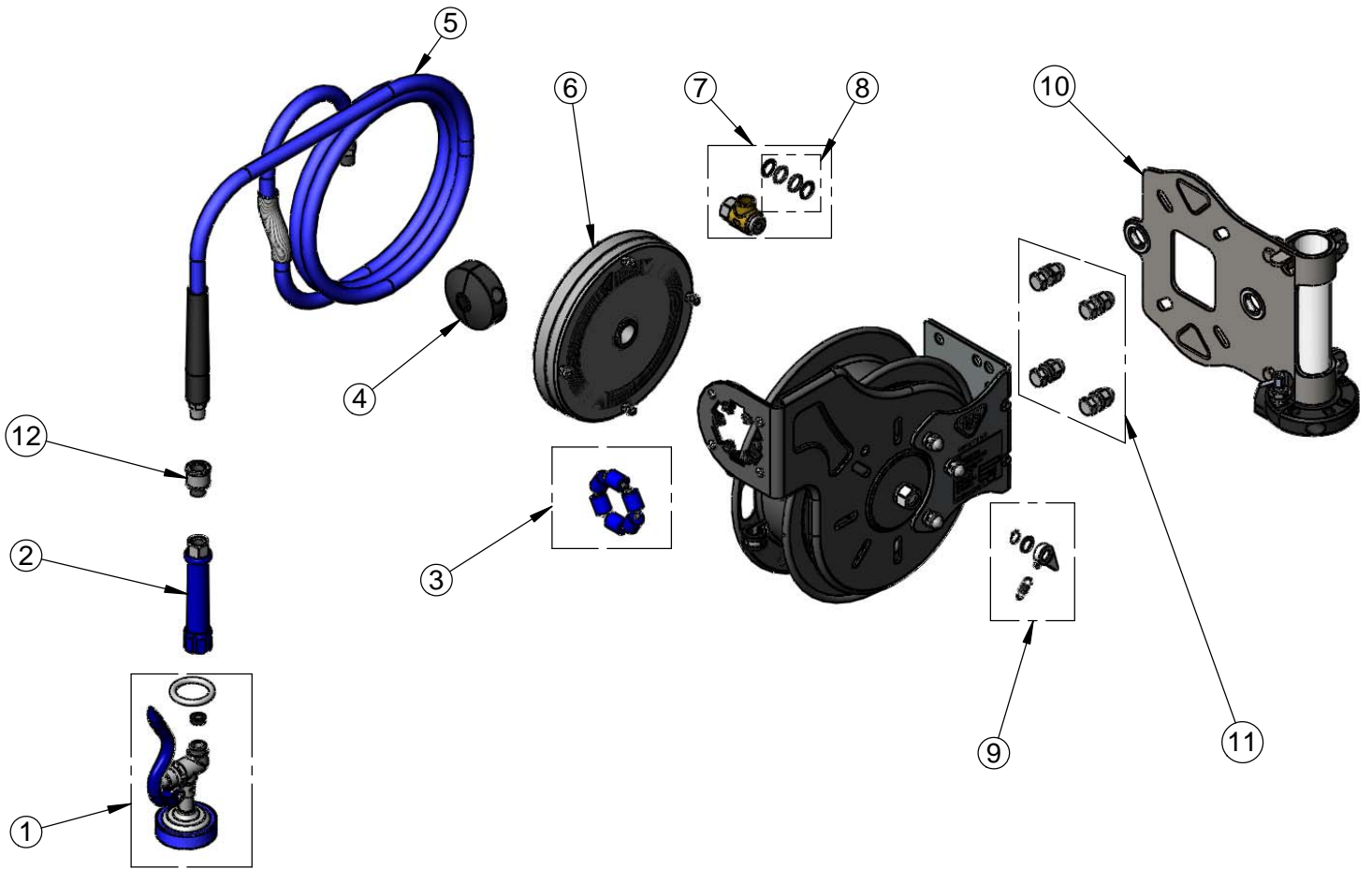
**T&S BRASS AND BRONZE WORKS, INC.**  
 2 Saddleback Cove / P.O. Box 1088  
 Travelers Rest, SC 29690

Model No.  
**B-7212-01-STB**

Item No.

Travelers Rest, SC: 800-476-4103 • Simi Valley, CA: 800-423-0150 • Fax: 864-834-3518 • www.tsbrass.com

ITEM NO.	SALES NO.	DESCRIPTION
1	EB-0107	High Flow Spray Valve (Blue)
2	012504-40	Grip Handle (Blue) w/ Washer
3	014936-45	Roller Repair Kit
4	014949-45	Hose Stop Repair Kit
5	014944-45	3/8" x 15' Hose Replacement Kit
6	014933-45	Small Stainless Steel Spring
7	014946-45	3/8" Swivel Repair Kit
8	014948-45	O-Ring Replacement Kit
9	014940-45	Ratchet Repair Kit
10	G018477-45	Stainless Steel Table Leg Swing Bracket
11	019191-45K	Hose Reel Bracket Mounting Kit
12	019652-40	3/8" NPT Live Swivel



**Product Specifications:**  
 3/8" x 15' Eopxy Coated Open Reel, High Flow Spray Valve & 180 Degree  
 Stainless Steel Table Leg Multiple Locking Position Swing Bracket w/ Mounting  
 Hardware for Hose Reel to Bracket

**Product Compliance:**  
 NSF 61 Exempt (Non-Potable)  
 EPAAct 2005 Non-Compliant (PRSV)