



T&S BRASS AND BRONZE WORKS, INC.
 2 Saddleback Cove / P.O. Box 1088
 Travelers Rest, SC 29690

Model No.
B-7222-C01-STB

Item No.

Travelers Rest, SC: 800-476-4103 • Simi Valley, CA: 800-423-0150 • Fax: 864-834-3518 • www.tsbrass.com

This Space for Architect/Engineer Approval

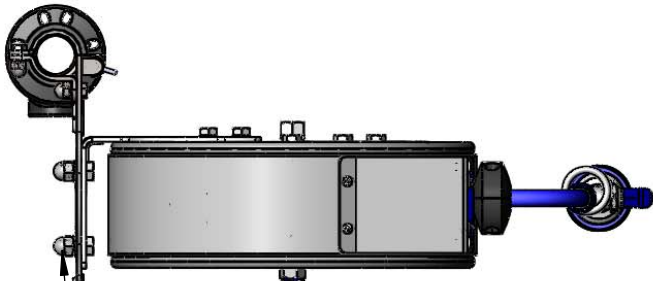
Job Name _____ Date _____

Model Specified _____ Quantity _____

Customer/Wholesaler _____

Contractor _____

Architect/Engineer _____



3/8" NPT Female Inlet
 (Left Side of Reel)

Stainless Steel ϕ 1-5/8" Table Leg Mount
 Swing Bracket w/ 180° Multiple Locking Position
 Rotation

Mounting Hardware Included
 for Hose Reel to Bracket

Enclosed Epoxy
 Coated Hose Reel
 30' of 3/8" Hose

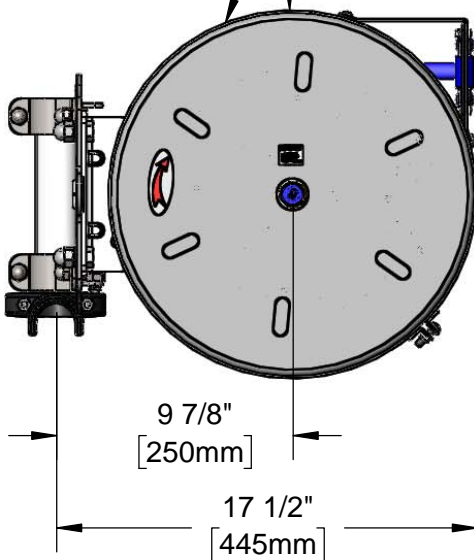
ϕ 15 3/8"
 [390mm]



Bracket Can Be Mounted to
 Swing Either Left or Right

6 1/2"
 [164mm]

Must Have ϕ 1-5/8" Horizontal
 Support Attached to Table Leg



9 7/8"
 [250mm]

17 1/2"
 [445mm]

019652-40
 3/8" NPT
 Live Swivel

EB-0107
 High Flow
 Spray Valve

Product Specifications:

3/8" x 30' Enclosed Epoxy Coated Reel, High Flow Spray Valve & 180 Degree
 Stainless Steel Table Leg Multiple Locking Position Swing Bracket w/ Mounting
 Hardware for Hose Reel to Bracket

Product Compliance:

NSF 61 Exempt (Non-Potable)
 EPAAct 2005 Non-Compliant (PRSV)



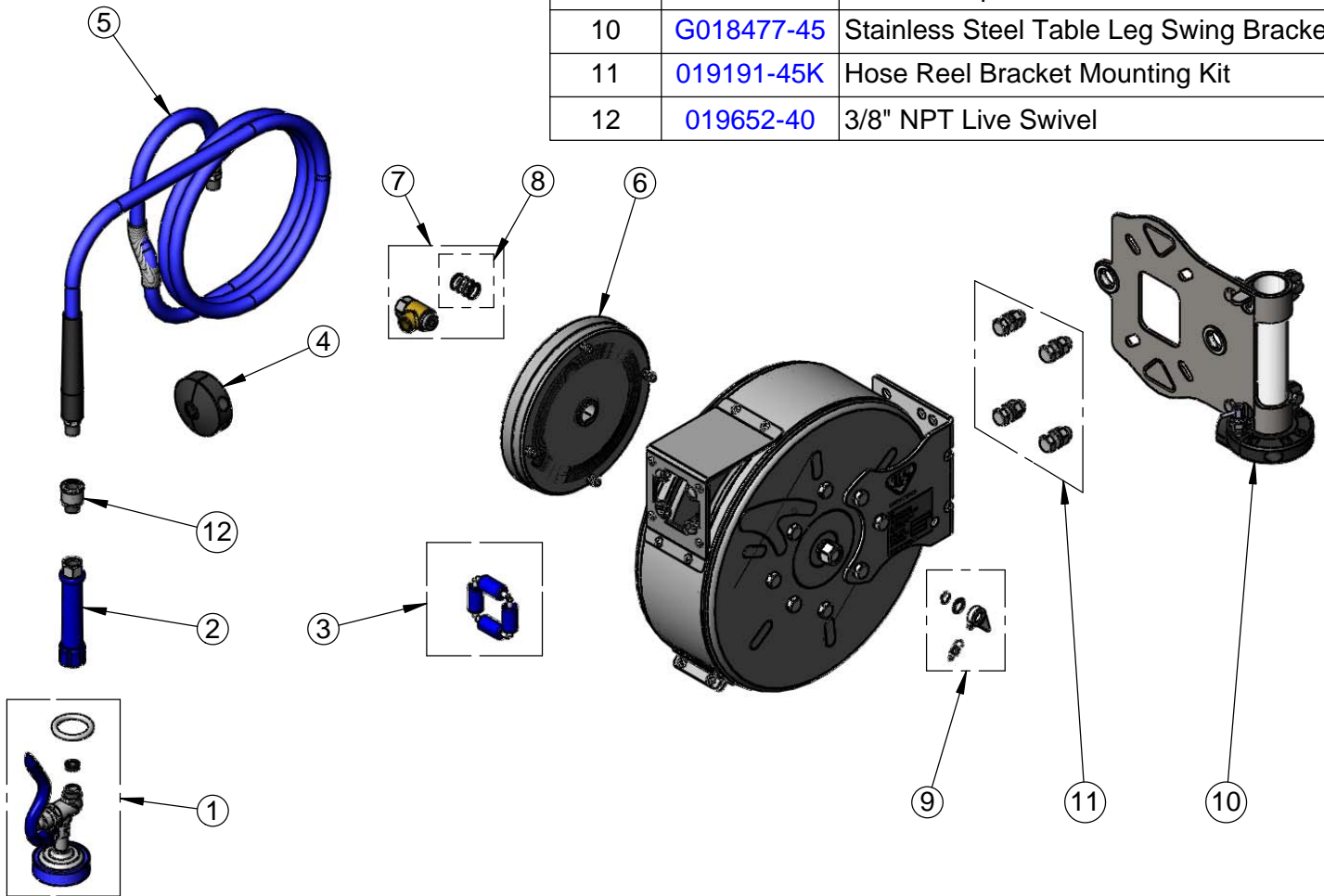
T&S BRASS AND BRONZE WORKS, INC.
 2 Saddleback Cove / P.O. Box 1088
 Travelers Rest, SC 29690

Model No.
B-7222-C01-STB

Item No.

Travelers Rest, SC: 800-476-4103 • Simi Valley, CA: 800-423-0150 • Fax: 864-834-3518 • www.tsbrass.com

ITEM NO.	SALES NO.	DESCRIPTION
1	EB-0107	High Flow Spray Valve (Blue)
2	012504-40	Grip Handle (Blue) w/ Washer
3	014936-45	Roller Repair Kit
4	014949-45	Hose Stop Repair Kit
5	014943-45	3/8" x 30' Hose Replacement Kit
6	014933-45	Small Stainless Steel Spring
7	014946-45	3/8" Swivel Repair Kit
8	014948-45	O-Ring Replacement Kit
9	014940-45	Ratchet Repair Kit
10	G018477-45	Stainless Steel Table Leg Swing Bracket
11	019191-45K	Hose Reel Bracket Mounting Kit
12	019652-40	3/8" NPT Live Swivel



Product Specifications:

3/8" x 30' Enclosed Epoxy Coated Reel, High Flow Spray Valve & 180 Degree Stainless Steel Table Leg Multiple Locking Position Swing Bracket w/ Mounting Hardware for Hose Reel to Bracket

Product Compliance:

NSF 61 Exempt (Non-Potable)
 EPA 2005 Non-Compliant (PRSV)