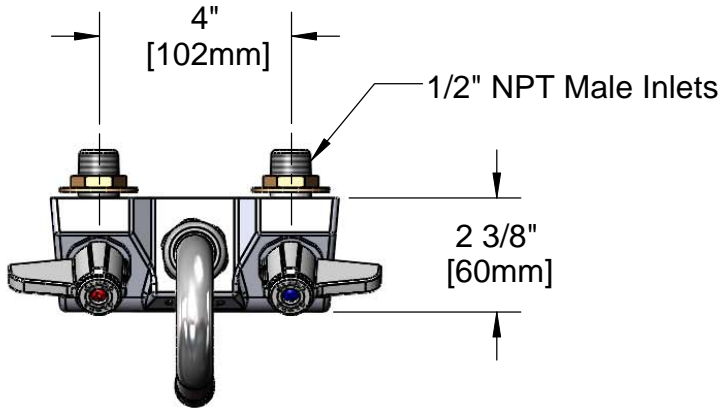
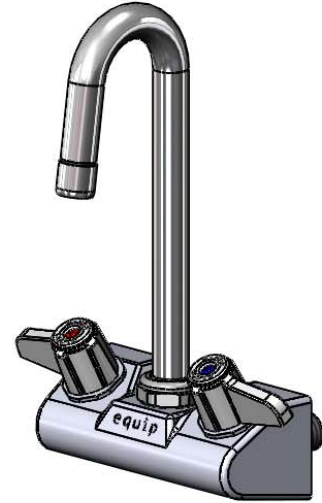


This Space for Architect/Engineer Approval

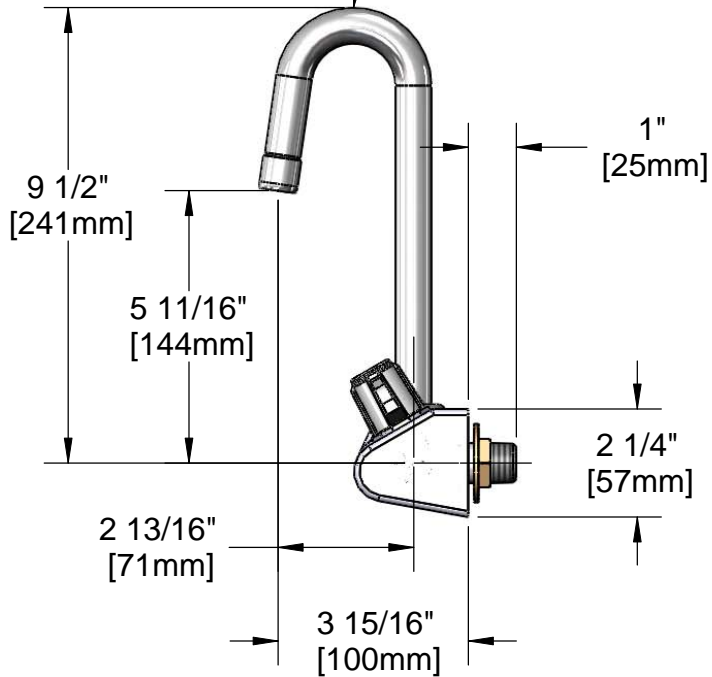
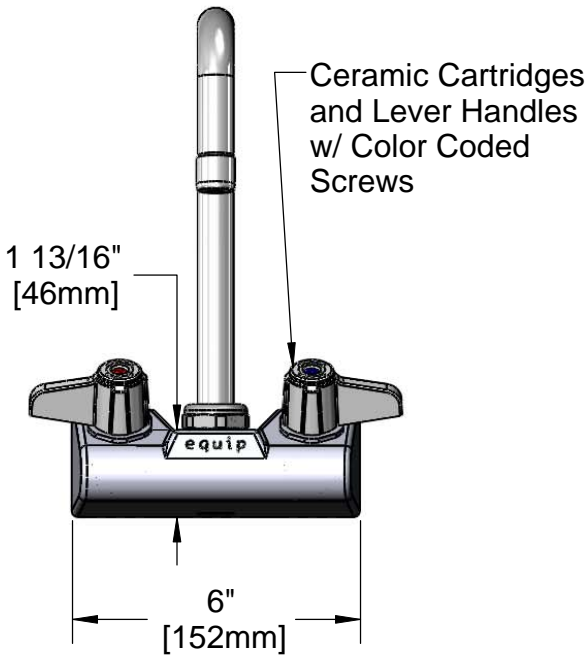
Job Name _____ Date _____
 Model Specified _____ Quantity _____
 Customer/Wholesaler _____
 Contractor _____
 Architect/Engineer _____



ADA Compliant



3" Swivel Gooseneck w/
 2.2 GPM Aerator.
 Conversion to Rigid Requires
[014200-45](#) Lock Washer
 (Available Separately)



Rough-in: (2) ϕ 1" [25mm] Holes

Model Number BK-5F-4WLX03	Date 04/29/11	Scale NTS	Drawn KJG	Checked DHL	Approved JHB
-------------------------------------	------------------	--------------	--------------	----------------	-----------------

Product Specifications:

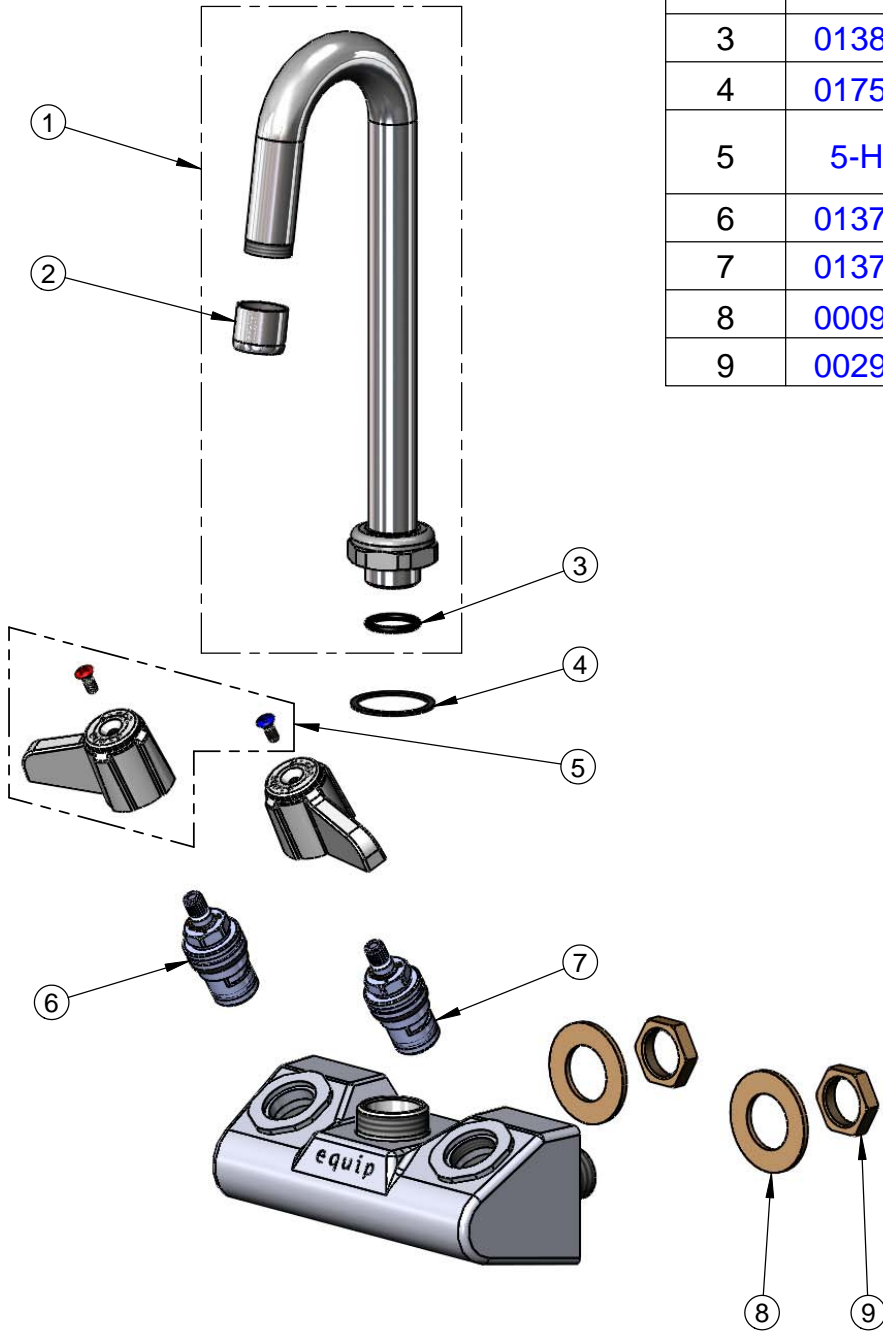
4" Wall Mount Faucet w/ 3" Swivel Gooseneck and 2.2 GPM Aerator



equip Foodservice Accessories
 2 Saddleback Cove, P.O. Box 1088
 Travelers Rest, South Carolina 29690
 Phone: 800.891.4808 Fax: 800.868.0084

REG. #A2601
 ISO #9001

ITEM NO.	SALES NO.	DESCRIPTION
1	5SP-03A	3" Swing Gooseneck Asm
2	013838-45	Aerator, 3/4-27 Female, 2.2 GPM
3	013848-45	O-Ring
4	017587-45	Swivel Nut Seal
5	5-HDL-L	Lever Handle (Includes Blue & Red Screws)
6	013787-45	Equip Ceramic Crtg (RTC)
7	013788-45	Equip Ceramic Crtg (LTC)
8	000999-45	Brass Lock Washer
9	002954-45	Shank Lock Nut



Model Number
BK-5F-4WLX03

Date
04/29/11

Scale
NTS

Drawn
KJG

Checked
DHL

Approved
JHB

Product Specifications:

4" Wall Mount Faucet w/ 3" Swivel Gooseneck
and 2.2 GPM Aerator

equip Foodservice Accessories
2 Saddleback Cove, P.O. Box 1088
Travelers Rest, South Carolina 29690
Phone: 800.891.4808 Fax: 800.868.0084

REG. #A2601
ISO #9001

SHEET: 2 of 2

