



T&S BRASS AND BRONZE WORKS, INC.

2 Saddleback Cove / P.O. Box 1088
Travelers Rest, SC 29690

Model No.

BL-4203 SERIES

Item No.

Travelers Rest, SC: 800-476-4103 • Simi Valley, CA: 800-423-0150 • Fax: 864-834-3518 • www.tsbrass.com

| | |
|------------|---------------------------------|
| BL-4203-0 | Turret w/ (2) Hose Cocks @ 90° |
| BL-4203-01 | Turret w/ (1) Hose Cock |
| BL-4203-02 | Turret w/ (2) Hose Cocks @ 180° |
| BL-4203-03 | Turret w/ (3) Hose Cocks @ 90° |
| BL-4203-04 | Turret w/ (4) Hose Cocks @ 90° |



ADA Compliant

This Space for Architect/Engineer Approval

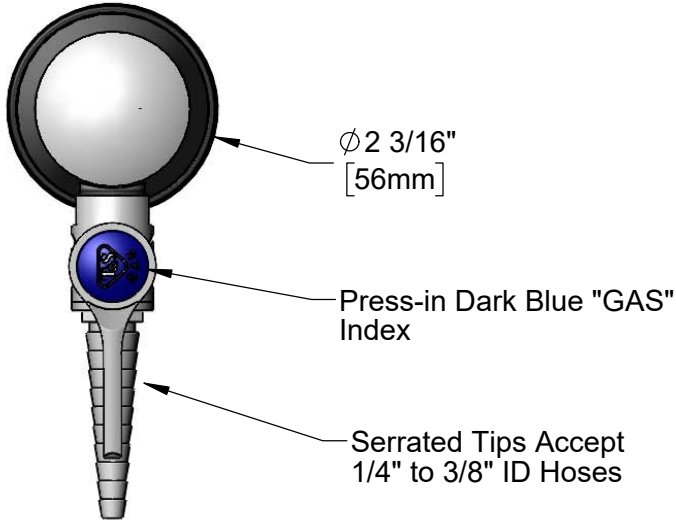
Job Name _____ Date _____

Model Specified _____ Quantity _____

Customer/Wholesaler _____

Contractor _____

Architect/Engineer _____



Notes:

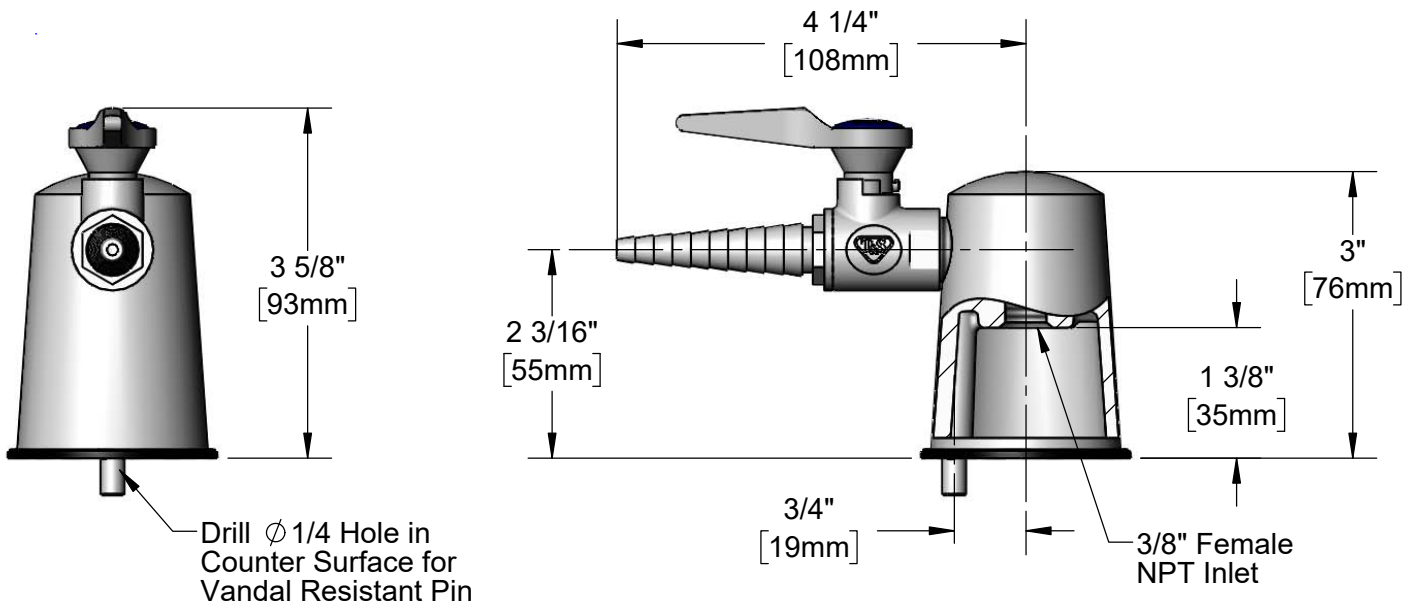
1. Natural Gas Pressure: 0.5 PSIG Max. (For Natural Gas above 0.5 PSIG or Oxygen and Specialty Gases, use BL-4010-01 Gas Cock.)
2. Air Pressure: 125 PSIG Max.
3. Vacuum: 30 inches of Mercury Max.
4. Certified to ANSI Z21.15a / CSA 9.1a



209L-VAC-NS
Index(es)
(Included)



209L-AIR-NS
Index(es)
(Included)



Product Specifications:
Vandal Resistant Laboratory Turret w/ Serrated Hose Cock(s)

Product Compliance:
ANSI Z21.15a / CSA 9.1a (Gas Valves)
ANSI A117.1 (ADA)



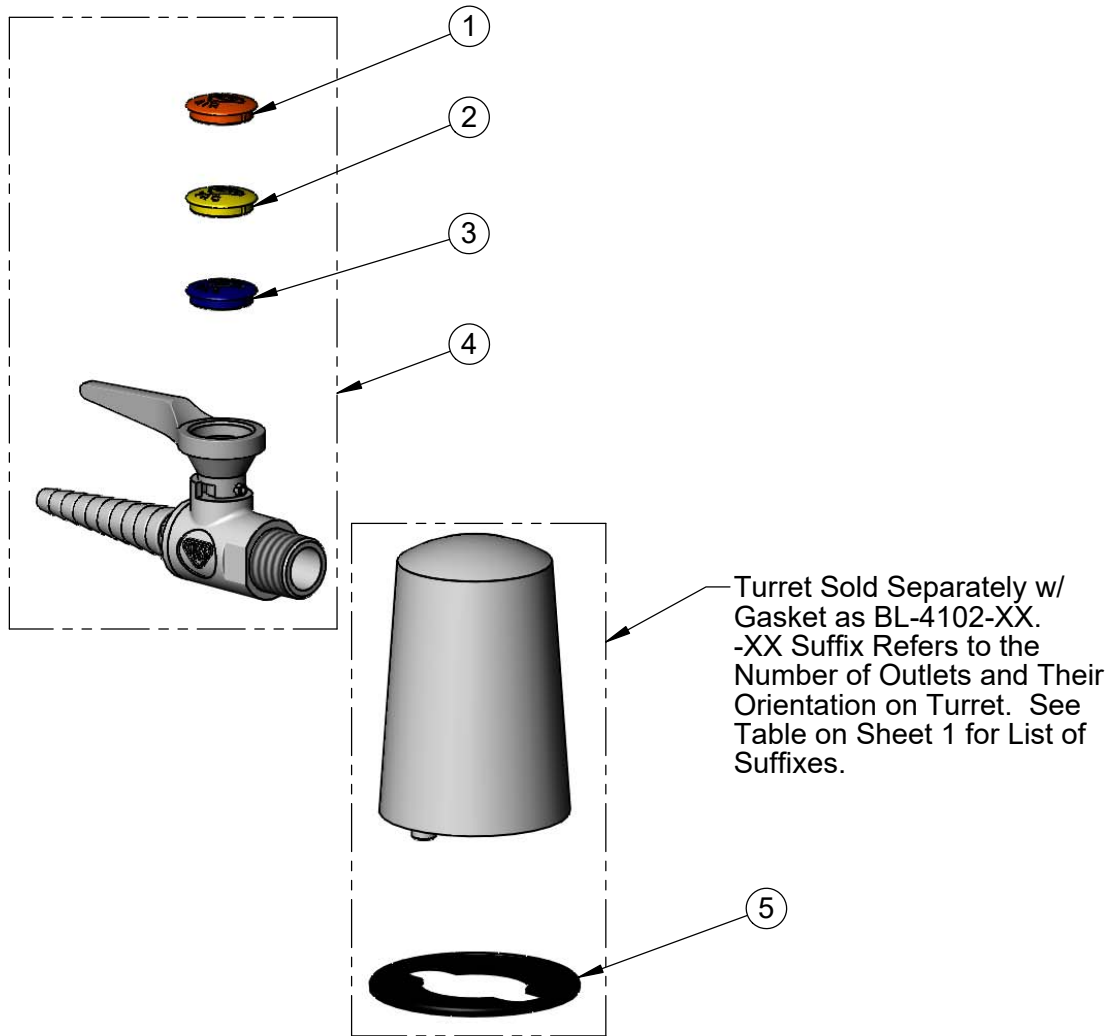
T&S BRASS AND BRONZE WORKS, INC.
 2 Saddleback Cove / P.O. Box 1088
 Travelers Rest, SC 29690

Model No.
BL-4203 SERIES

Item No.

Travelers Rest, SC: 800-476-4103 • Simi Valley, CA: 800-423-0150 • Fax: 864-834-3518 • www.tsbrass.com

| ITEM NO. | SALES NO. | DESCRIPTION |
|----------|-------------|--|
| 1 | 209L-AIR-NS | Orange "AIR" Lab Button Index |
| 2 | 209L-VAC-NS | Yellow "VAC" Lab Button Index |
| 3 | 209L-GAS-NS | Dark Blue "GAS" Lab Button Index |
| 4 | BL-4000-01 | Ball Valve Hose Cock w/ GAS, AIR & VAC Indexes |
| 5 | 144L | Black Plastic Gasket |



Product Specifications:
 Vandal Resistant Laboratory Turret w/ Serrated Hose Cock(s)

Product Compliance:
 ANSI Z21.15a / CSA 9.1a (Gas Valves)
 ANSI A117.1 (ADA)