



T&S BRASS AND BRONZE WORKS, INC.

2 Saddleback Cove / P.O. Box 1088
Travelers Rest, SC 29690

Model No.

BL-4260-02

Item No.

Travelers Rest, SC: 800-476-4103 • Simi Valley, CA: 800-423-0150 • Fax: 864-834-3518 • www.tsbrass.com

This Space for Architect/Engineer Approval

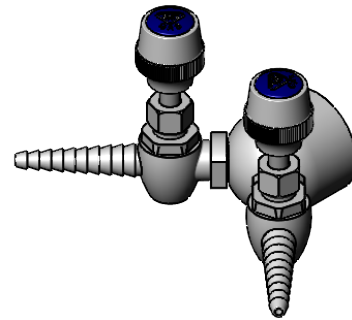
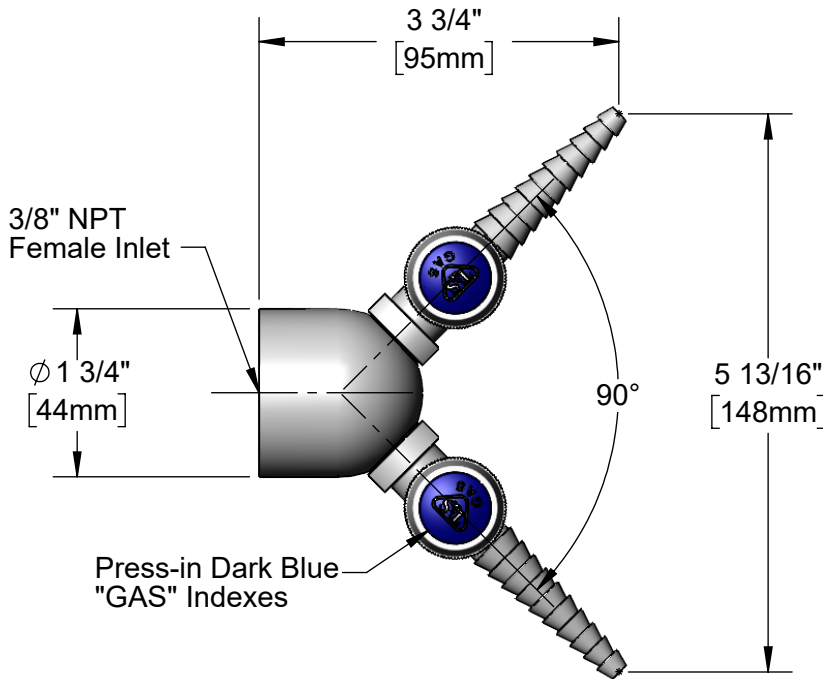
Job Name _____ Date _____

Model Specified _____ Quantity _____

Customer/Wholesaler _____

Contractor _____

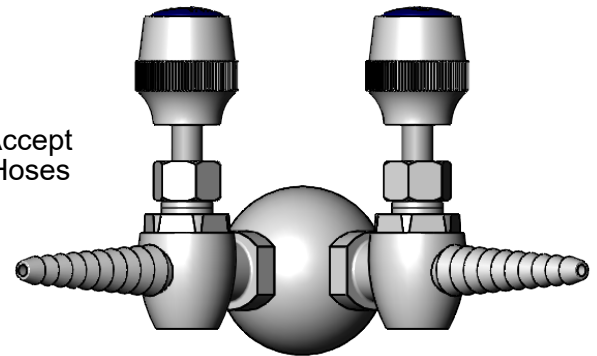
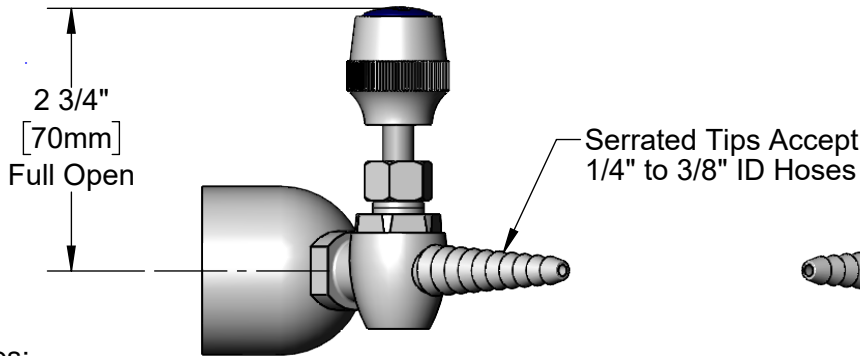
Architect/Engineer _____



209L-AIR-NS
Indexes
Included (2)



209L-VAC-NS
Indexes
Included (2)



Notes:

1. Special Packing in Valve Suitable for Oxygen, Hydrogen and Other Special Gases
2. Pressure:
Fuel Gas - 0.5 psi max
Other Gases Including Air - 80 psi max
Vacuum - 30 inches of Mercury max
3. Temperature: 32°F - 125°F

Product Specifications:
Double Panel Flange w/ 2 Needle Valve Hose Cocks, 3/8" NPT Female Inlet

Product Compliance:
ANSI Z21.15a / CSA 9.1a (Gas Valves)



T&S BRASS AND BRONZE WORKS, INC.

2 Saddleback Cove / P.O. Box 1088
 Travelers Rest, SC 29690

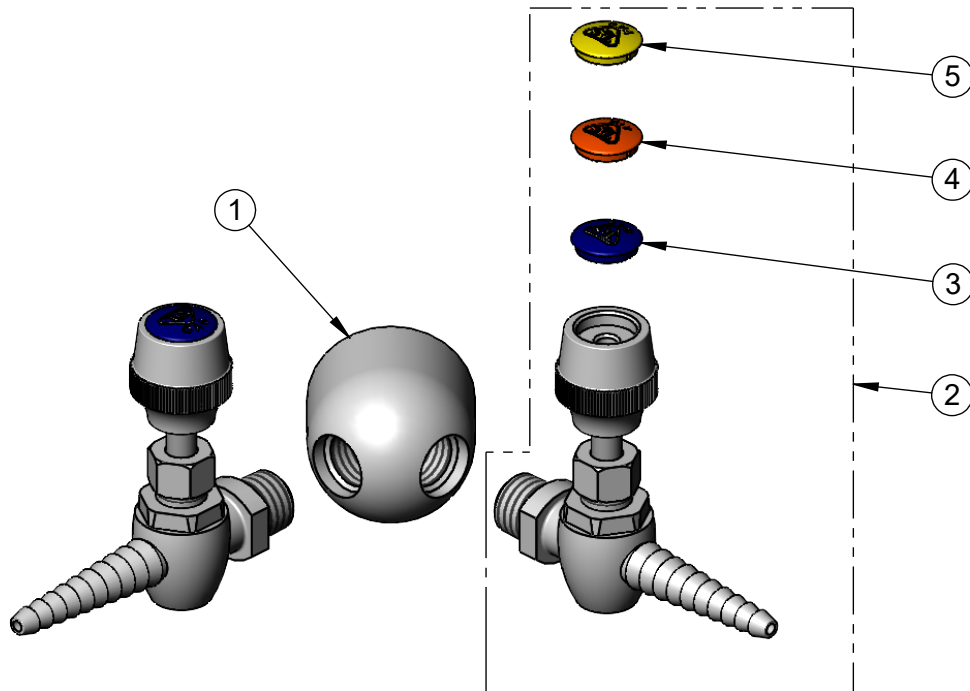
Model No.

BL-4260-02

Item No.

Travelers Rest, SC: 800-476-4103 • Simi Valley, CA: 800-423-0150 • Fax: 864-834-3518 • www.tsbrass.com

ITEM NO.	SALES NO.	DESCRIPTION
1	BL-4250-05	Panel Flange, 3/8" NPT
2	BL-4010-01	Needle Valve Hose Cock w/ GAS, AIR, & VAC Indexes
3	209L-GAS-NS	Dark Blue "GAS" Lab Button Index
4	209L-AIR-NS	Orange "AIR" Lab Button Index
5	209L-VAC-NS	Yellow "VAC" Lab Button Index



Product Specifications:
 Double Panel Flange w/ 2 Needle Valve Hose Cocks, 3/8" NPT Female Inlet

Product Compliance:
 ANSI Z21.15a / CSA 9.1a (Gas Valves)