



# T&S BRASS AND BRONZE WORKS, INC.

2 Saddleback Cove / P.O. Box 1088  
Travelers Rest, SC 29690

Model No.

**BL-4300 SERIES**

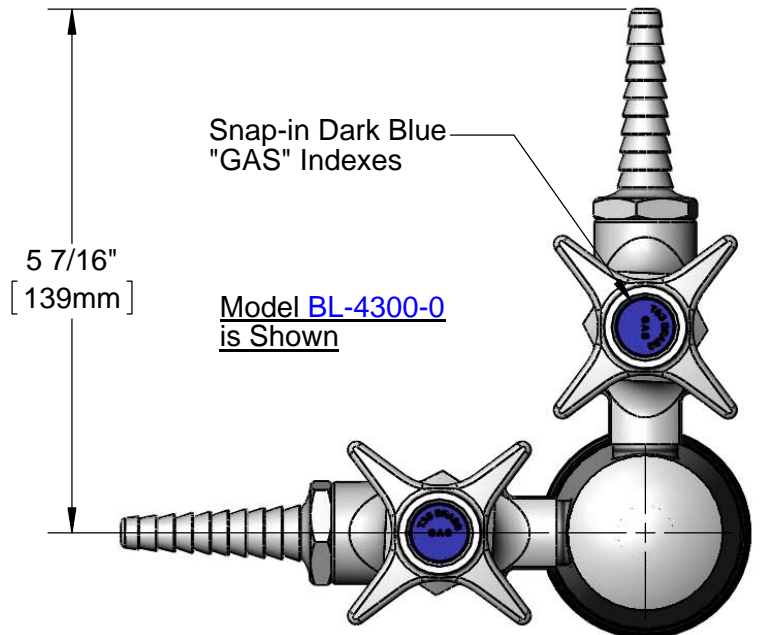
Item No.

Travelers Rest, SC: 800-476-4103 • Simi Valley, CA: 800-423-0150 • Fax: 864-834-3518 • www.tsbrass.com

This Space for Architect/Engineer Approval

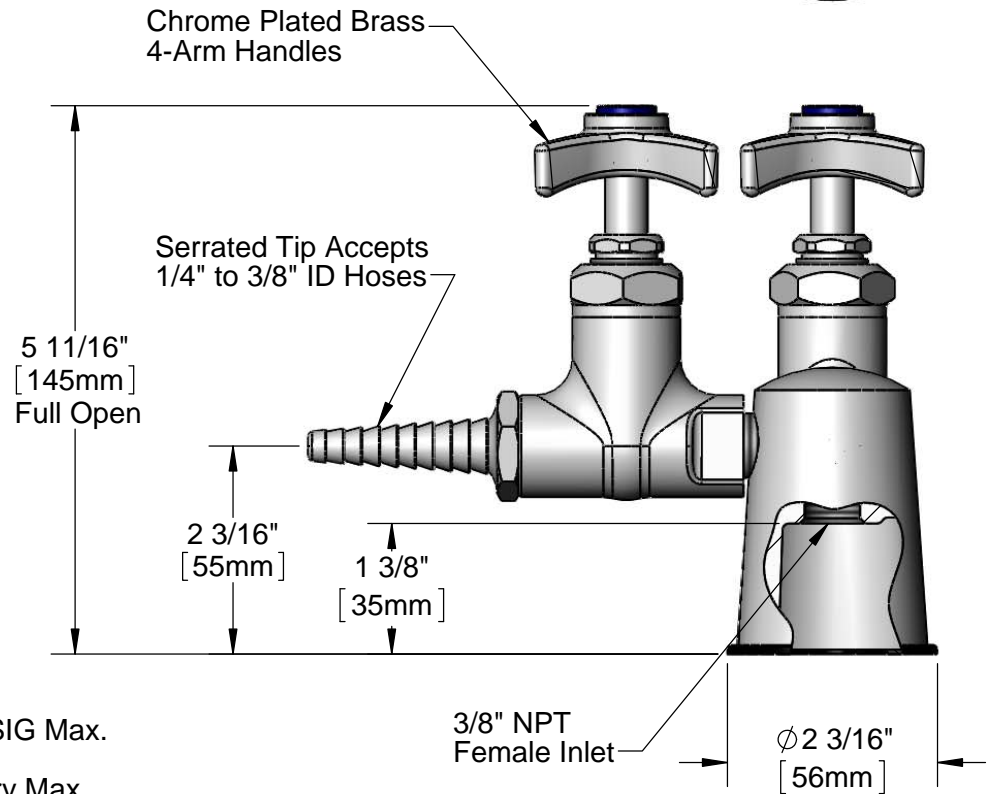
Job Name \_\_\_\_\_ Date \_\_\_\_\_  
 Model Specified \_\_\_\_\_ Quantity \_\_\_\_\_  
 Customer/Wholesaler \_\_\_\_\_  
 Contractor \_\_\_\_\_  
 Architect/Engineer \_\_\_\_\_

BL-4300-0	Turret w/ (2) Gas Stops @ 90°
BL-4300-01	Turret w/ (1) Gas Stop
BL-4300-02	Turret w/ (2) Gas Stops @ 180°
BL-4300-04	Turret w/ (4) Gas Stops @ 90°



  
**209L-VAC**  
 Index(es)  
 Included

  
**209L-AIR**  
 Index(es)  
 Included



Notes:

1. Natural Gas Pressure: 0.5 PSIG Max.
2. Air Pressure: 125 PSIG Max.
3. Vacuum: 30 Inches of Mercury Max.
4. Temperature Range: 32°F - 125°F

Product Specifications:  
Laboratory Turret with Gas Stop(s)

Drawn <b>DMH</b>	Checked <b>JRM</b>	Approved <b>JHB</b>
Scale: <b>1:2</b>		Date: <b>05/21/12</b>



# T&S BRASS AND BRONZE WORKS, INC.

2 Saddleback Cove / P.O. Box 1088  
Travelers Rest, SC 29690

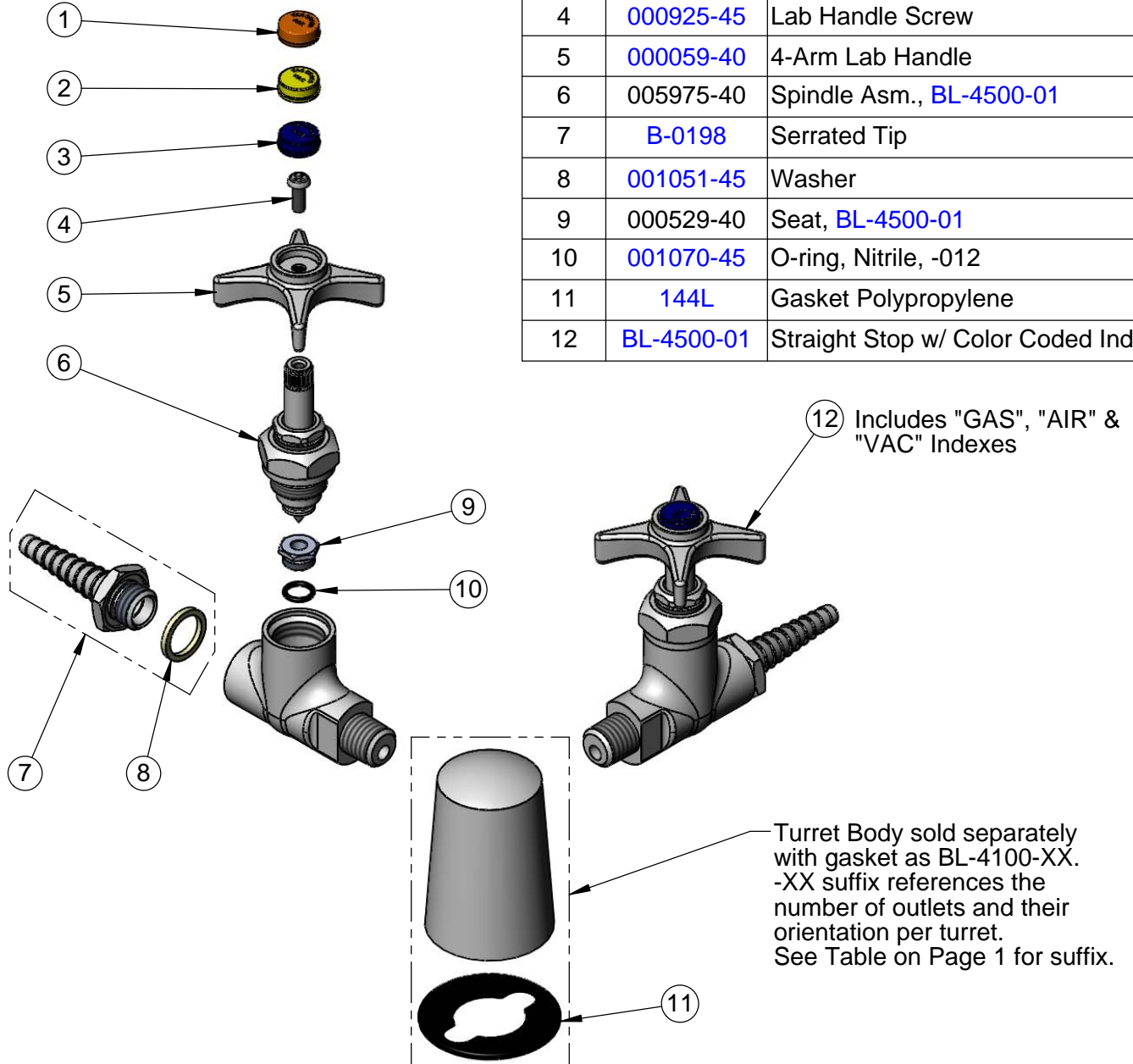
Model No.

**BL-4300 SERIES**

Item No.

Travelers Rest, SC: 800-476-4103 • Simi Valley, CA: 800-423-0150 • Fax: 864-834-3518 • www.tsbrass.com

ITEM NO.	SALES NO.	DESCRIPTION
1	209L-AIR	Cap, Index, Orange, Air
2	209L-VAC	Cap, Index, Yellow, Vacuum
3	209L-GAS	Cap, Index, Blue, Gas
4	000925-45	Lab Handle Screw
5	000059-40	4-Arm Lab Handle
6	005975-40	Spindle Asm., BL-4500-01
7	B-0198	Serrated Tip
8	001051-45	Washer
9	000529-40	Seat, BL-4500-01
10	001070-45	O-ring, Nitrile, -012
11	144L	Gasket Polypropylene
12	BL-4500-01	Straight Stop w/ Color Coded Indexes



Product Specifications:  
Laboratory Turret with Gas Stop(s)

Drawn <b>DMH</b>	Checked <b>JRM</b>	Approved <b>JHB</b>
Scale: <b>NTS</b>		Date: <b>05/21/12</b>