



T&S BRASS AND BRONZE WORKS, INC.

2 Saddleback Cove / P.O. Box 1088
Travelers Rest, SC 29690

Model No.

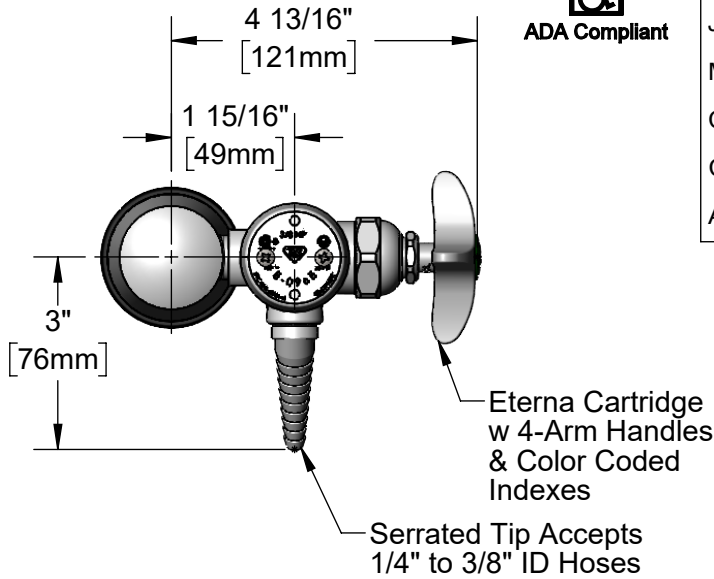
BL-4422-01

Item No.

Travelers Rest, SC: 800-476-4103 • Simi Valley, CA: 800-423-0150 • Fax: 864-834-3518 • www.tsbrass.com



ADA Compliant



This Space for Architect/Engineer Approval

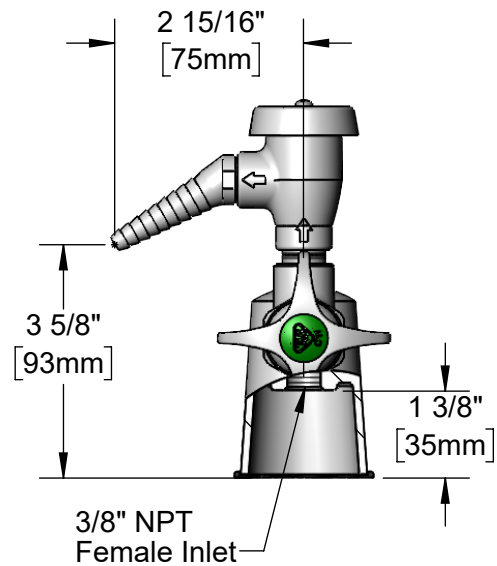
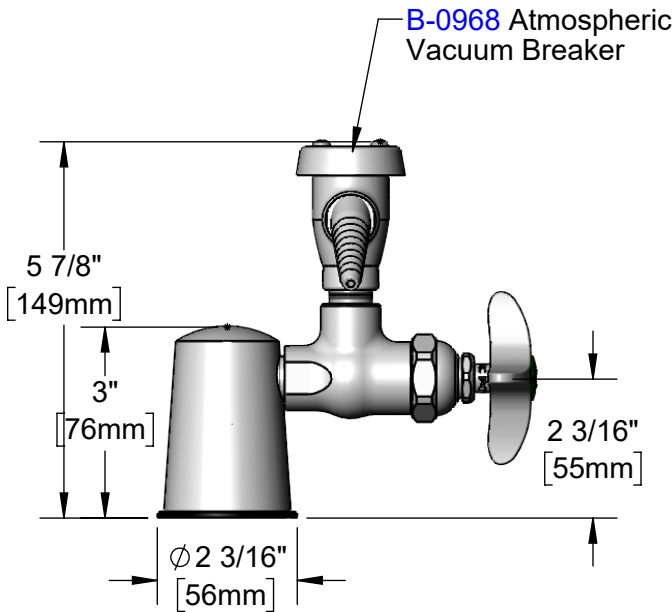
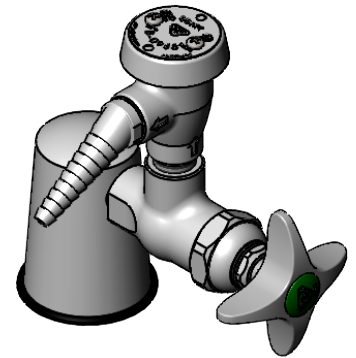
Job Name _____ Date _____

Model Specified _____ Quantity _____

Customer/Wholesaler _____

Contractor _____

Architect/Engineer _____



Product Specifications:

Laboratory Turret with Single Water Outlets, Vacuum Breaker, Angled Serrated Tip and 3/8" NPT Female Inlet

Product Compliance:

ASME A112.18.1 / CSA B125.1
NSF 61 - Section 9
NSF 372 (Low Lead Content)
ASSE 1001 (VB)
ANSI A117.1 (ADA)



T&S BRASS AND BRONZE WORKS, INC.

2 Saddleback Cove / P.O. Box 1088
Travelers Rest, SC 29690

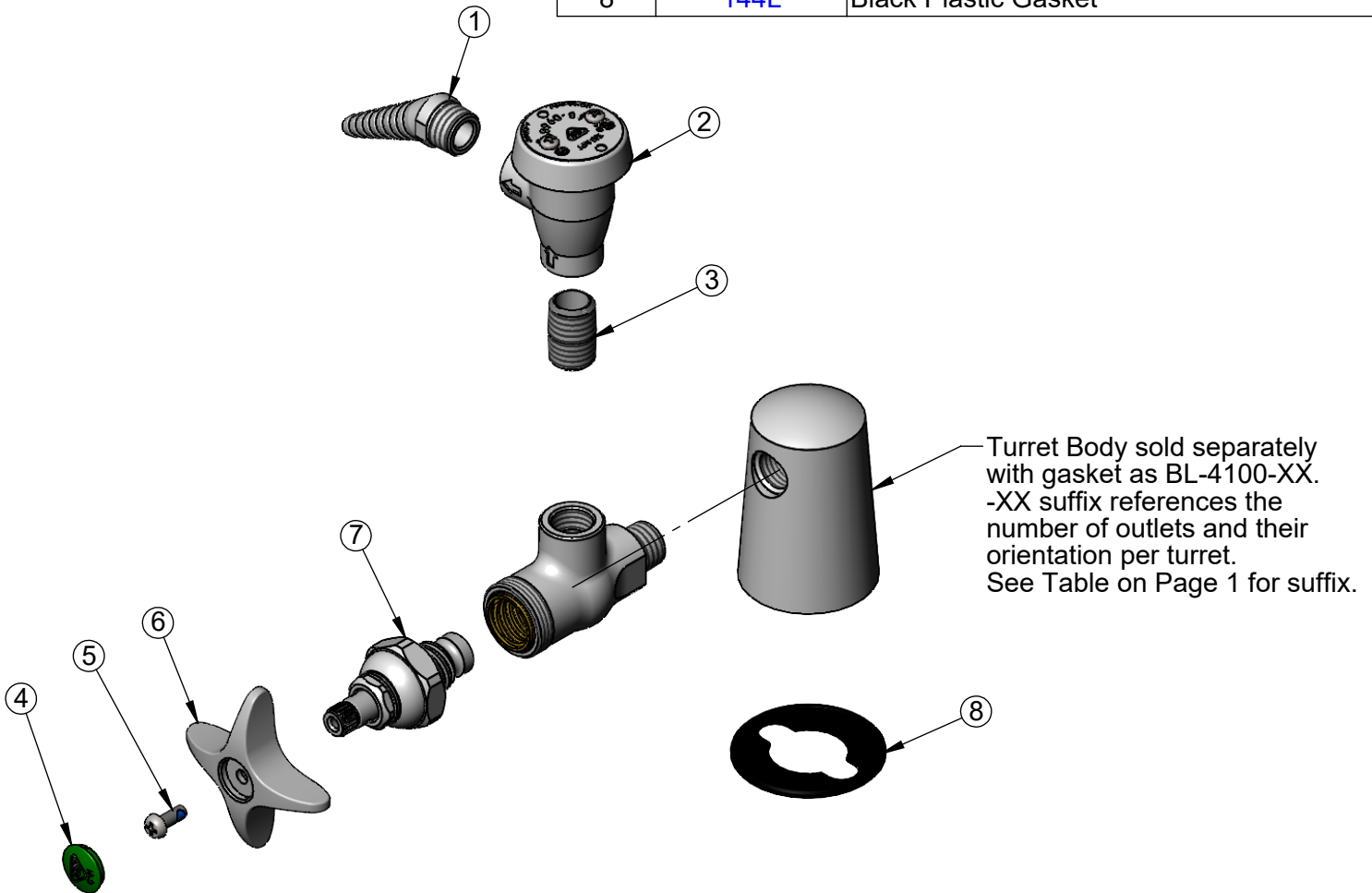
Model No.

BL-4422-01

Item No.

Travelers Rest, SC: 800-476-4103 • Simi Valley, CA: 800-423-0150 • Fax: 864-834-3518 • www.tsbrass.com

ITEM NO.	SALES NO.	DESCRIPTION
1	BL-5550-05	Angled Serrated Hose End
2	B-0968	3/8" NPT Vacuum Breaker
3	002535-25	3/8" Close Nipple
4	001191-45NS	Green "CW" Lab Button Index
5	000925-45	Lab Handle Screw
6	002521-45NS	4-Arm Handle (New Style)
7	005960-40	Eterna Cartridge, RTC
8	144L	Black Plastic Gasket



Turret Body sold separately with gasket as BL-4100-XX. -XX suffix references the number of outlets and their orientation per turret. See Table on Page 1 for suffix.

Product Specifications:

Laboratory Turret with Single Water Outlets, Vacuum Breaker, Angled Serrated Tip and 3/8" NPT Female Inlet

Product Compliance:

ASME A112.18.1 / CSA B125.1
NSF 61 - Section 9
NSF 372 (Low Lead Content)
ASSE 1001 (VB)
ANSI A117.1 (ADA)