



T&S BRASS AND BRONZE WORKS, INC.

2 Saddleback Cove / P.O. Box 1088
Travelers Rest, SC 29690

Model No.

BL-5715-08

Item No.

Travelers Rest, SC: 800-476-4103 • Simi Valley, CA: 800-423-0150 • Fax: 864-834-3518 • www.tsbrass.com



ADA Compliant

This Space for Architect/Engineer Approval

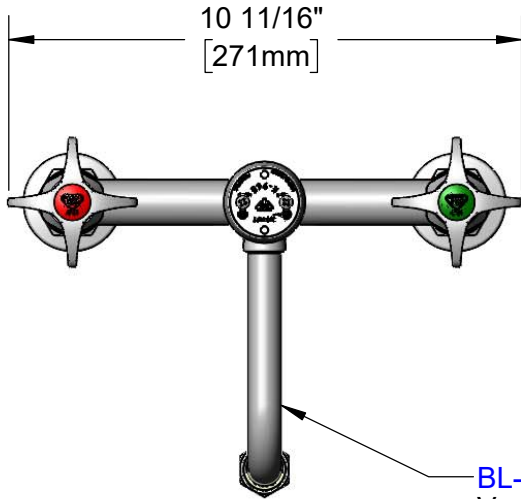
Job Name _____ Date _____

Model Specified _____ Quantity _____

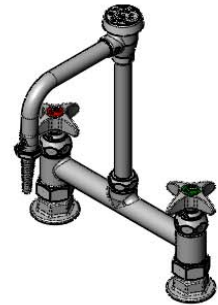
Customer/Wholesaler _____

Contractor _____

Architect/Engineer _____

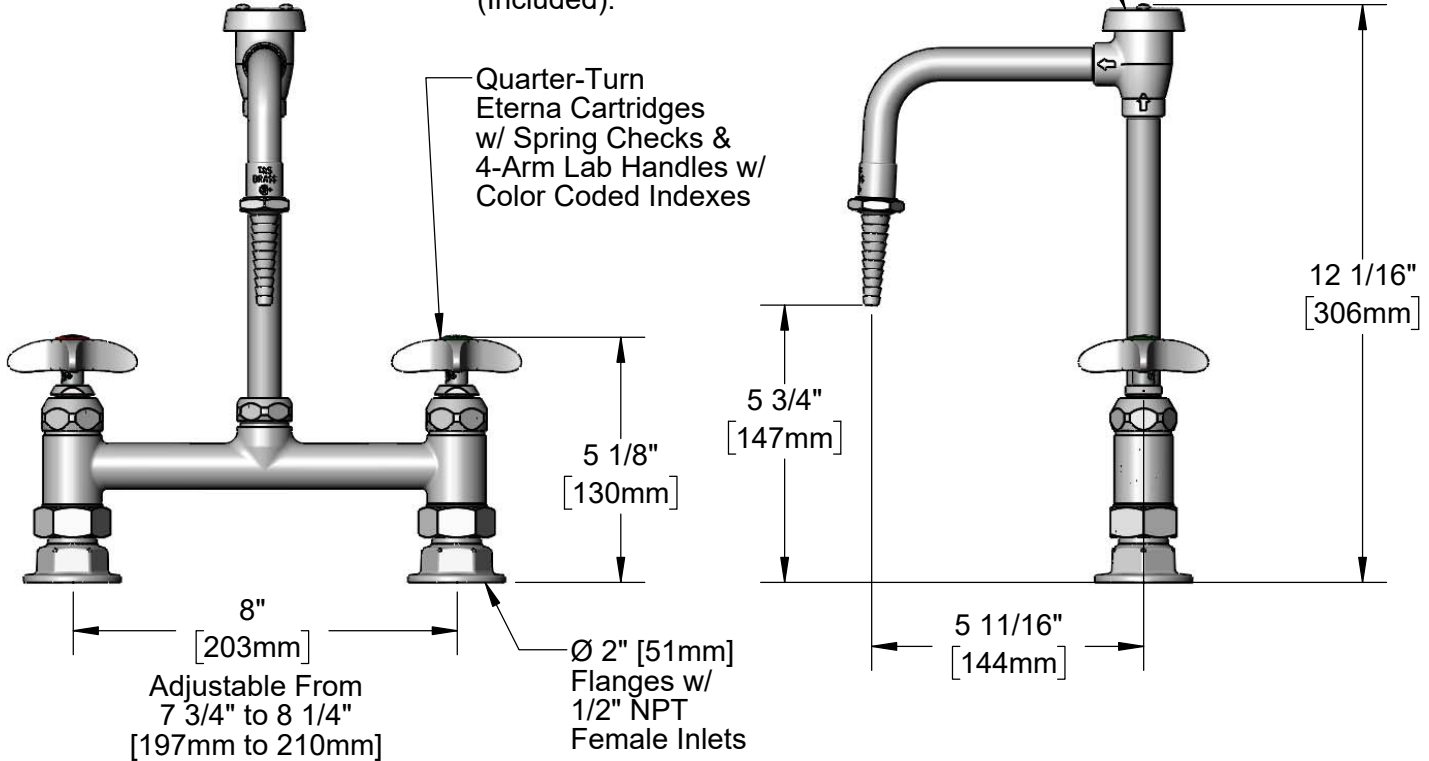


BL-5560-03
Vacuum Breaker Swivel
Nozzle w/ Serrated Tip
Outlet & 0.5 GPM Flow
Control. Converts to Rigid
w/ **014200-45** Lock Washer
(Included).



B-0968
3/8" NPT
Vacuum
Breaker

Quarter-Turn
Eterna Cartridges
w/ Spring Checks &
4-Arm Lab Handles w/
Color Coded Indexes



Adjustable From
7 3/4" to 8 1/4"
[197mm to 210mm]

Ø 2" [51mm]
Flanges w/
1/2" NPT
Female Inlets

Product Specifications:

8" Deck Mount Laboratory Mixing Faucet, Quarter-Turn Eterna Cartridges w/ Spring Checks, 4-Arm Lab Handles, Swivel/Rigid Vacuum Breaker Nozzle, Serrated Tip Outlet w/ 0.5 GPM Flow Control, & 1/2" NPT Female Inlets

Product Compliance:

ASME A112.18.1 / CSA B125.1
NSF 61 - Section 9
NSF 372 (Low Lead Content)
ANSI A117.1 (ADA)
ASSE 1001 (VB)



T&S BRASS AND BRONZE WORKS, INC.

2 Saddleback Cove / P.O. Box 1088
Travelers Rest, SC 29690

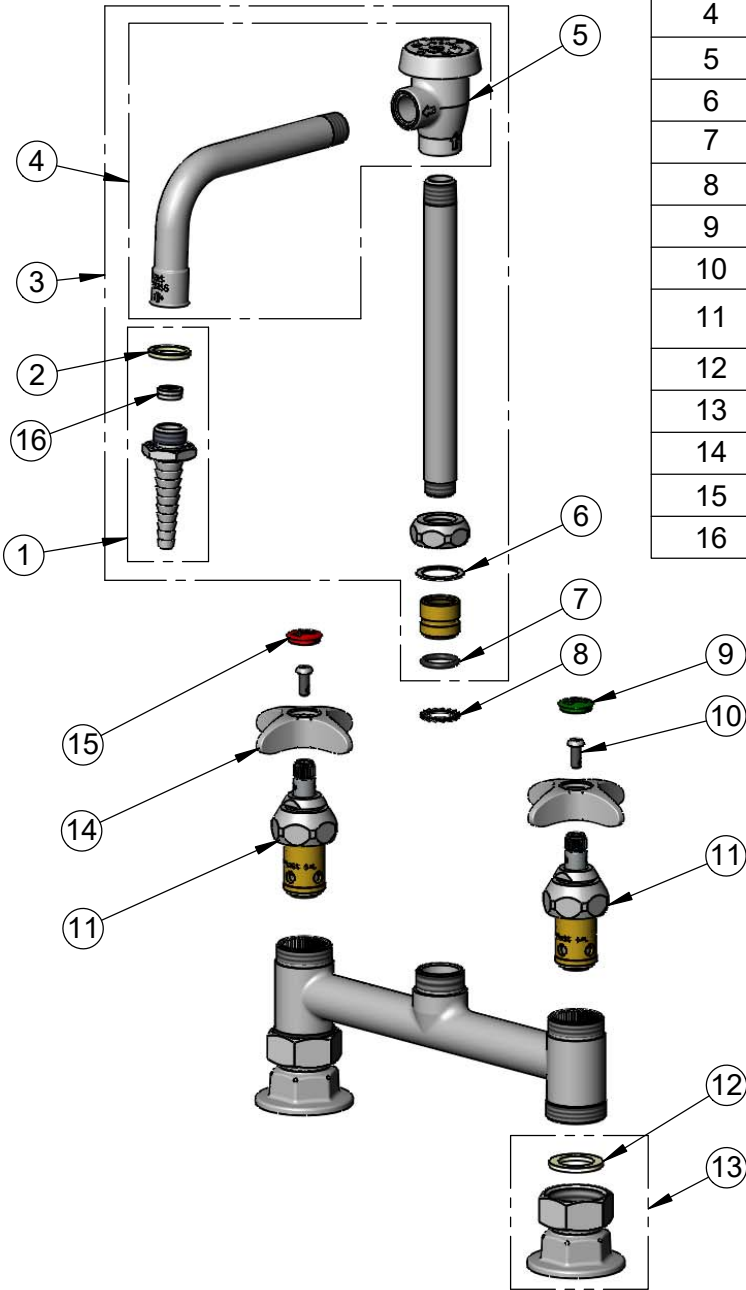
Model No.

BL-5715-08

Item No.

Travelers Rest, SC: 800-476-4103 • Simi Valley, CA: 800-423-0150 • Fax: 864-834-3518 • www.tsbrass.com

| ITEM NO. | SALES NO. | DESCRIPTION |
|----------|-------------|--|
| 1 | B-0198-FD05 | Serrated Tip w/ 0.5 GPM flow Disc & Washer |
| 2 | 001051-45 | Washer |
| 3 | BL-5560-03 | Swivel Vacuum Breaker Nozzle w/ Serrated Tip & 0.5 GPM Flow Disc |
| 4 | 007283-40 | Nozzle w/ Vacuum Breaker Only |
| 5 | B-0968 | 3/8" NPT Vacuum Breaker |
| 6 | 009538-45 | Swivel Washer |
| 7 | 001074-45 | O-ring |
| 8 | 014200-45 | Star Washer, Anti-Rotation |
| 9 | 001191-45NS | Green "CW" Lab Button Index |
| 10 | 000925-45 | Lab Handle Screw |
| 11 | 012443-40NS | Quarter-Turn Eterna Cartridge, RTC w/ Spring Check |
| 12 | 001019-45 | Coupling Nut Washer |
| 13 | 00AA | 1/2" NPT Female Eccentric Flange |
| 14 | 002521-45NS | 4-Arm Handle (New Style) |
| 15 | 001194-45NS | Red "HW" Lab Button Index |
| 16 | FD05 | Flow Disc, 0.5 GPM [1.9 L/min.] (Lime) |



Product Specifications:

8" Deck Mount Laboratory Mixing Faucet, Quarter-Turn Eterna Cartridges w/ Spring Checks, 4-Arm Lab Handles, Swivel/Rigid Vacuum Breaker Nozzle, Serrated Tip Outlet w/ 0.5 GPM Flow Control, & 1/2" NPT Female Inlets

Product Compliance:

ASME A112.18.1 / CSA B125.1
NSF 61 - Section 9
NSF 372 (Low Lead Content)
ANSI A117.1 (ADA)
ASSE 1001 (VB)