

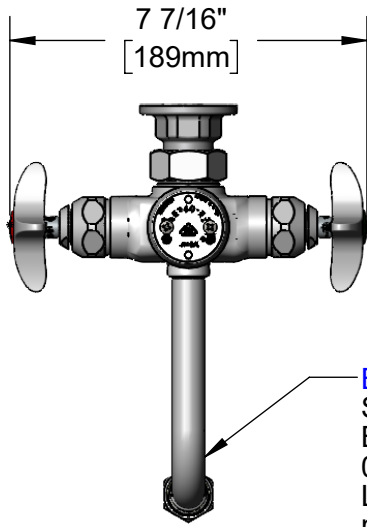


T&S BRASS AND BRONZE WORKS, INC.
 2 Saddleback Cove / P.O. Box 1088
 Travelers Rest, SC 29690

Model No.
BL-5735-09

Item No.

Travelers Rest, SC: 800-476-4103 • Simi Valley, CA: 800-423-0150 • Fax: 864-834-3518 • www.tsbrass.com



ADA Compliant

This Space for Architect/Engineer Approval

Job Name _____ Date _____

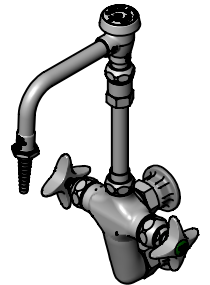
Model Specified _____ Quantity _____

Customer/Wholesaler _____

Contractor _____

Architect/Engineer _____

BL-5560-02
 Swivel Nozzle w/ Vacuum
 Breaker & Serrated Tip w/
 0.5 GPM Flow Control.
 Lock washer provided for
 rigid application.

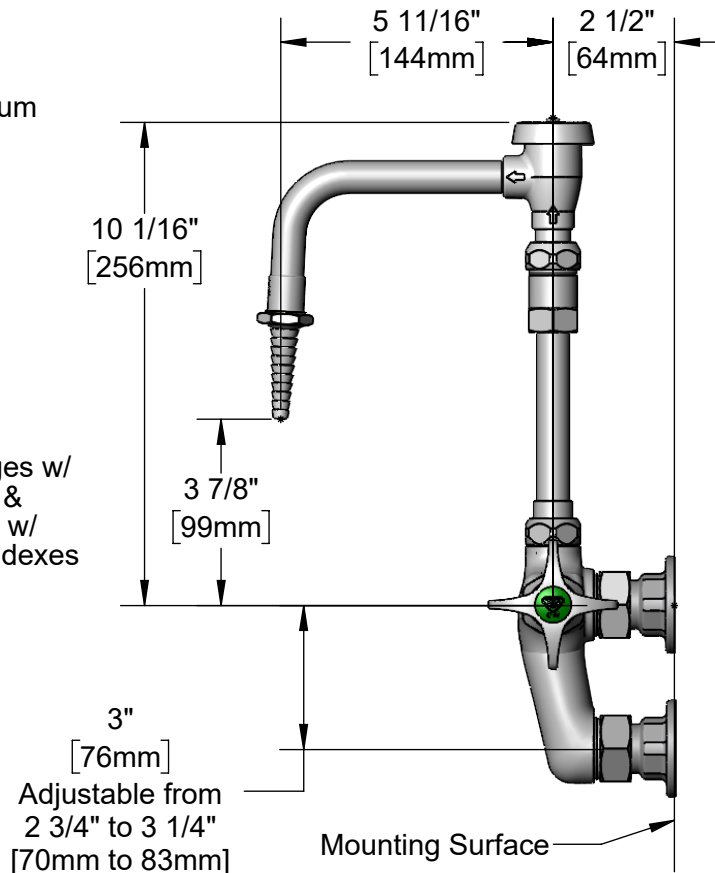


B-0968
 3/8" NPT Vacuum
 Breaker

Rigid to Swivel
 Adapter

Quarter-Turn
 Eterna Cartridges w/
 Spring Checks &
 4-Arm Handles w/
 Color Coded Indexes

Ø2" [51mm]
 Flange w/
 1/2" NPT
 Female Inlet



Mounting Surface

Product Specifications:

Wall Mount Mixing Faucet, Quarter-Turn Eterna Cartridges w/ Spring Checks, Rigid/Swivel Nozzle w/ Serrated Tip & 0.5 GPM Flow Control, Rigid to Swivel Adapter, Vacuum Breaker, 4-Arm Lab Handles and 1/2" NPT Female Adjustable Inlets

Product Compliance:

ASME A112.18.1 / CSA B125.1
 NSF 61 - Section 9
 NSF 372 (Low Lead Content)
 ANSI A117.1 (ADA)
 ASSE 1001 (VB)



T&S BRASS AND BRONZE WORKS, INC.

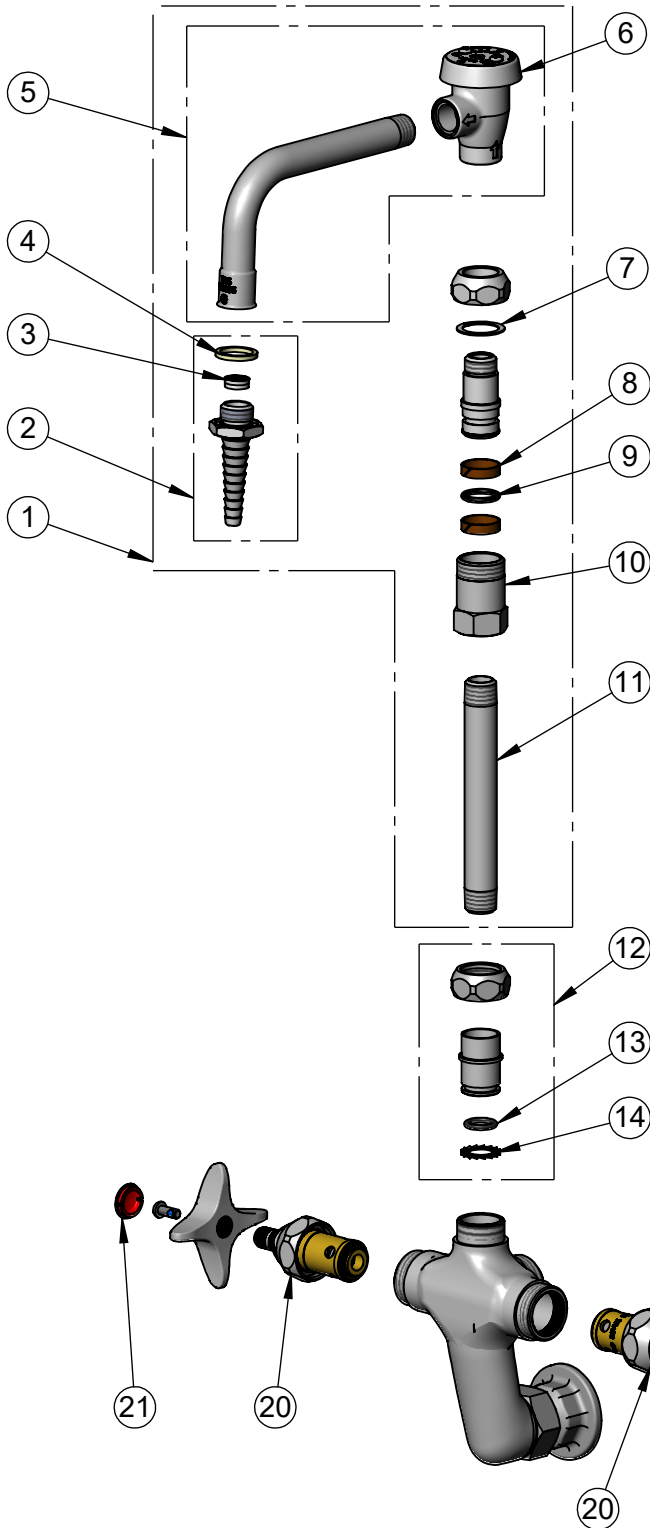
2 Saddleback Cove / P.O. Box 1088
Travelers Rest, SC 29690

Model No.

BL-5735-09

Item No.

Travelers Rest, SC: 800-476-4103 • Simi Valley, CA: 800-423-0150 • Fax: 864-834-3518 • www.tsbrass.com



ITEM NO.	SALES NO.	DESCRIPTION
1	BL-5560-02	Swivel Nozzle w/ Vacuum Breaker & Serrated Tip w/ 0.5 Flow Disc
2	B-0198-FD05	Serrated Tip w/ 0.5 GPM Flow Disc & Washer
3	FD05	Flow Disc, 0.5 GPM [1.9 L/min.] (Lime)
4	001051-45	Washer
5	007283-40	Nozzle w/ Vacuum Breaker
6	B-0968	3/8" NPT Vacuum Breaker
7	009538-45	Swivel Washer
8	011429-45	Swivel Sleeves (2)
9	001074-45	O-Ring
10	054X	Swivel Body
11	000361-40	Nipple, 3/8" NPT x 5"
12	EZ-K	EasyInstall Kit
13	001065-45	O-Ring, Size 2-112
14	014200-45	Star Washer, Anti-Rotation
15	001019-45	Coupling Nut Washer
16	00AA	1/2" NPT Female Eccentric Flange
17	001191-45NS	Green "CW" Lab Button Index
18	000925-45	Lab Handle Screw
19	002521-45NS	4-Arm Handle (New Style)
20	012443-40NS	Quarter-Turn Eterna Cartridge w/ Spring Check, RTC
21	001194-45NS	Red "HW" Lab Button Index

Product Specifications:
Wall Mount Mixing Faucet, Quarter-Turn Eterna Cartridges w/ Spring Checks, Rigid/Swivel Nozzle w/ Serrated Tip & 0.5 GPM Flow Control, Rigid to Swivel Adapter, Vacuum Breaker, 4-Arm Lab Handles and 1/2" NPT Female Adjustable Inlets

Product Compliance:
ASME A112.18.1 / CSA B125.1
NSF 61 - Section 9
NSF 372 (Low Lead Content)
ANSI A117.1 (ADA)
ASSE 1001 (VB)