



# T&S BRASS AND BRONZE WORKS, INC.

2 Saddleback Cove / P.O. Box 1088  
Travelers Rest, SC 29690

Model No.

**BL-6000-03**

Item No.

Travelers Rest, SC: 800-476-4103 • Simi Valley, CA: 800-423-0150 • Fax: 864-834-3518 • www.tsbrass.com

This Space for Architect/Engineer Approval

Job Name \_\_\_\_\_ Date \_\_\_\_\_

Model Specified \_\_\_\_\_ Quantity \_\_\_\_\_

Customer/Wholesaler \_\_\_\_\_

Contractor \_\_\_\_\_

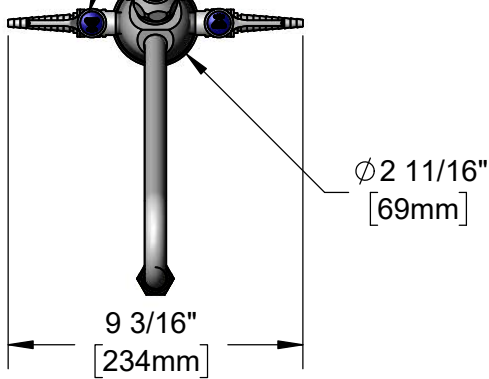
Architect/Engineer \_\_\_\_\_



**ADA Compliant**

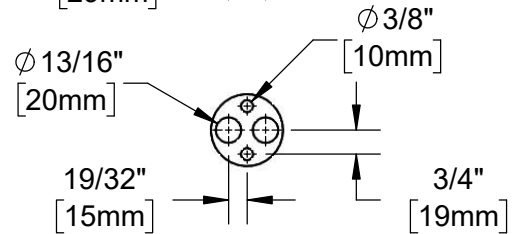
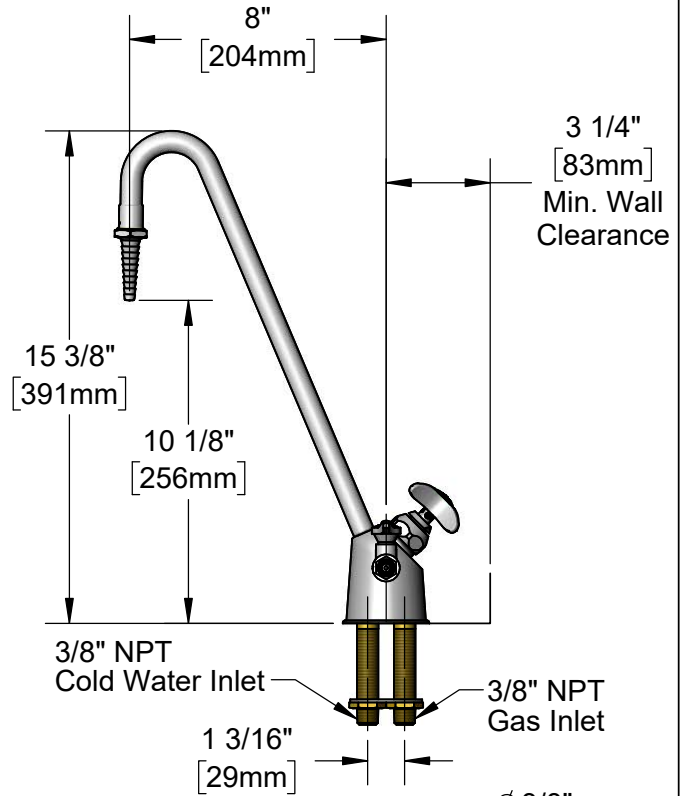
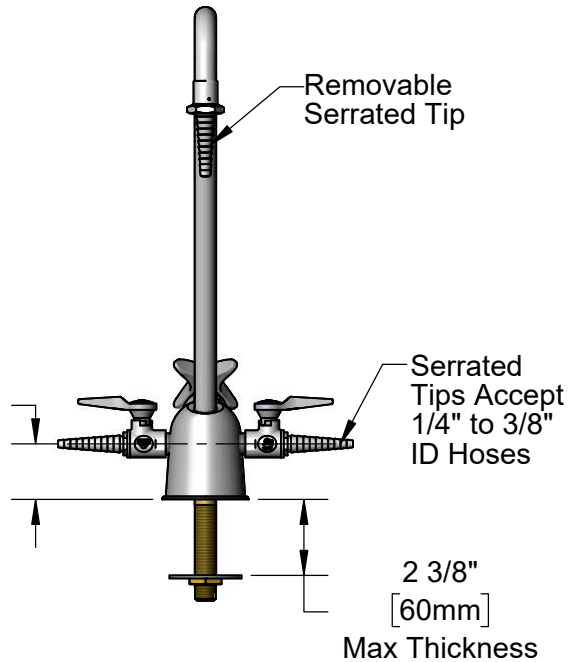
Ball Valve Hose  
Cock w/ Dark  
Blue "GAS" Index

Quarter-Turn  
Eterna Cartridge w/  
Spring Check & 4  
Arm Handle w/  
Green "CW" Index



Removable  
Serrated  
Tip

1 3/4"  
[44mm]



**Mounting Washer / Rough-In Detail**

### Notes:

1. Natural Gas Pressure: 0.5 PSIG Max.  
(For Natural Gas above 0.5 PSIG or  
Oxygen and Specialty Gases, use  
**BL-4010-01** Gas Cock.)

### Product Specifications:

Combination Gas & Water Fixture w/ (2) Ball Valve Gas Cocks, Quarter-Turn Eterna Cartridge with Spring Check and 4-Arm Handle, 8" Rigid Gooseneck w/ Serrated Tip & 3/8" NPT Male Inlets

### Product Compliance:

ASME A112.18.1 / CSA B125.1  
NSF 61 - Section 9  
NSF 372 (Low Lead Content)  
ANSI Z21.15a / CSA 9.1a (Gas Valves)  
ANSI A117.1 (ADA)



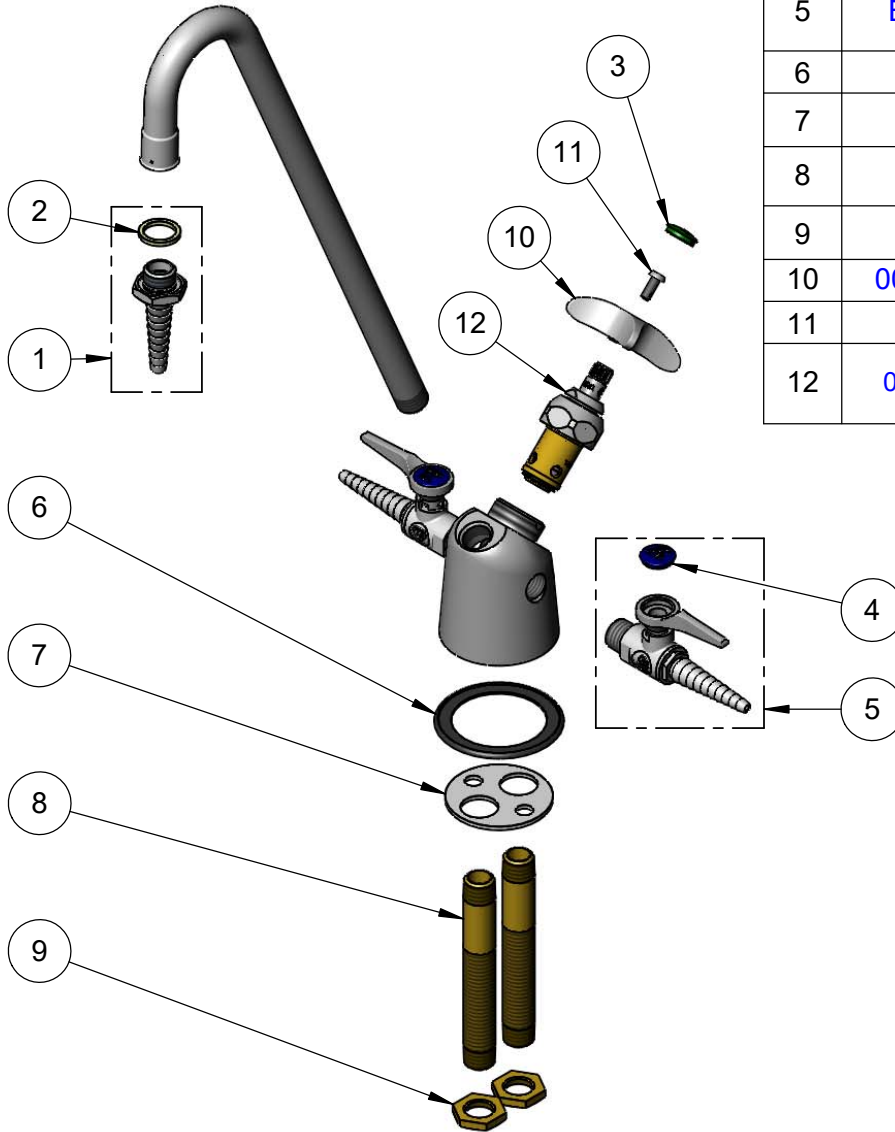
**T&S BRASS AND BRONZE WORKS, INC.**  
 2 Saddleback Cove / P.O. Box 1088  
 Travelers Rest, SC 29690

Model No.  
**BL-6000-03**

Item No.

Travelers Rest, SC: 800-476-4103 • Simi Valley, CA: 800-423-0150 • Fax: 864-834-3518 • www.tsbrass.com

ITEM NO.	SALES NO.	DESCRIPTION
1	B-0198	Serrated Tip & Washer
2	001051-45	Washer
3	001191-45NS	Green "CW" Lab Button Index
4	209L-GAS-NS	Dark Blue "GAS" Lab Button Index
5	BL-4000-01	Ball Valve Hose Cock w/ GAS, AIR, VAC Indexes
6	001160-45	Gasket, BL-6000
7	001004-45	Washer, Turret BL-6000, Brass
8	000381-20	Nipple, Supply, 3/8" Pipe, Brass
9	000969-45	Nut, Lock, 3/8" NPSL, Brass
10	002521-45NS	4-Arm Handle (New Style)
11	000925-45	Lab Handle Screw
12	012443-40NS	Quarter-Turn Eterna Cartridge, w/ Spring Check, RTC



**Product Specifications:**

Combination Gas & Water Fixture w/ (2) Ball Valve Gas Cocks, Quarter-Turn Eterna Cartridge with Spring Check and 4-Arm Handle, 8" Rigid Gooseneck w/ Serrated Tip & 3/8" NPT Male Inlets

**Product Compliance:**

ASME A112.18.1 / CSA B125.1  
 NSF 61 - Section 9  
 NSF 372 (Low Lead Content)  
 ANSI Z21.15a / CSA 9.1a (Gas Valves)  
 ANSI A117.1 (ADA)