



T&S BRASS AND BRONZE WORKS, INC.
 2 Saddleback Cove / P.O. Box 1088
 Travelers Rest, SC 29690

Model No.
BP-2704-BN

Item No.

Travelers Rest, SC: 800-476-4103 • Simi Valley, CA: 800-423-0150 • Fax: 864-834-3518 • www.tsbrass.com

LAKECREST™
 BY T&S



ADA Compliant

This Space for Architect/Engineer Approval

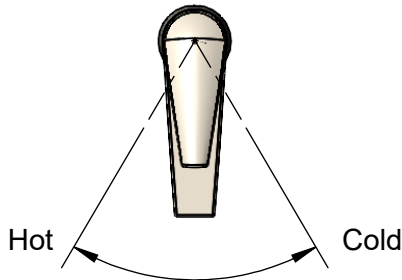
Job Name _____ Date _____

Model Specified _____ Quantity _____

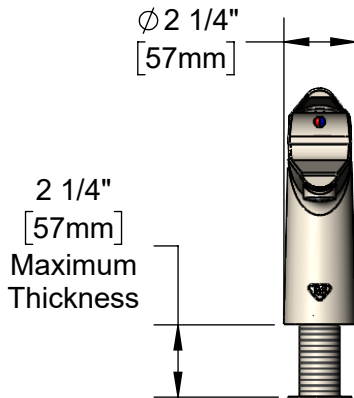
Customer/Wholesaler _____

Contractor _____

Architect/Engineer _____



B-0199-M21-V05
 VR 0.5 GPM
 Concealed Non-
 Aerated Spray
 Device



Mounting Surface

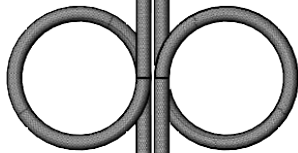
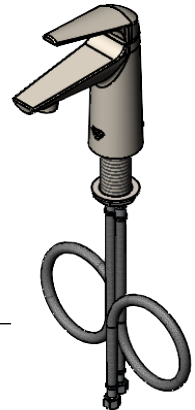
7 3/8" [188mm] "OFF"

3 7/8" [99mm]

6°

8 15/16" [227mm] Full "ON"

4 1/8" [105mm]



(2) 19" Flexible
 Stainless Steel
 Hoses w/ 3/8"
 Compression
 Fittings

Rough-in Requirement:
 ϕ 1 1/2" [38 mm] Mounting Hole

Product Specifications:

LakeCrest Brushed Nickel Plated Single Hole Deck Mount Single Lever Faucet, Ceramic Cartridge, 0.5 GPM Concealed Vandal Resistant Non-Aerated Spray Device & 19" Flexible Stainless Steel Braided Supply Hoses

Product Compliance:

ASME A112.18.1 / CSA B125.1
 NSF 61 - Section 9
 NSF 372 (Low Lead Content)
 ANSI A117.1 (ADA)



T&S BRASS AND BRONZE WORKS, INC.

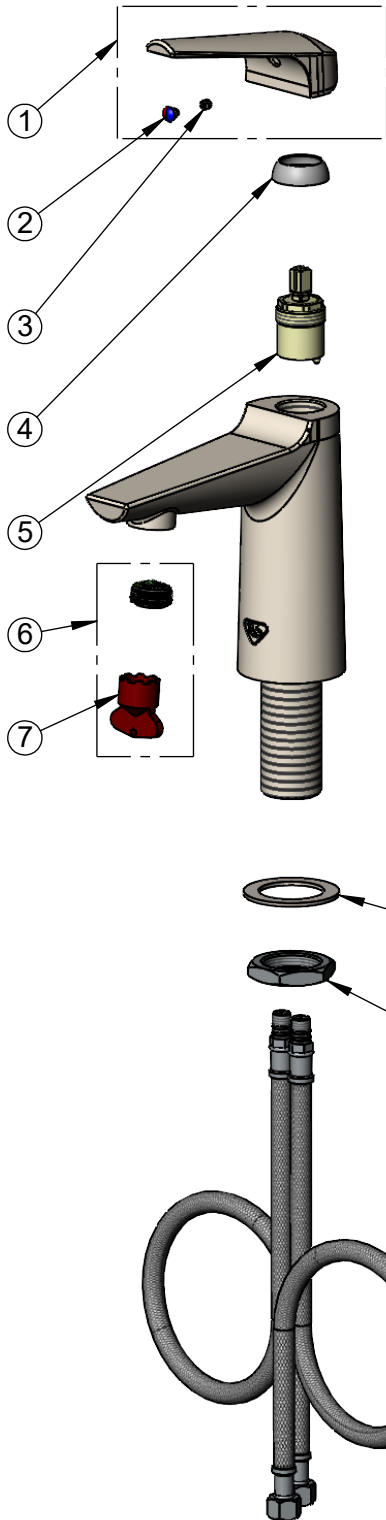
2 Saddleback Cove / P.O. Box 1088
Travelers Rest, SC 29690

Model No.

BP-2704-BN

Item No.

Travelers Rest, SC: 800-476-4103 • Simi Valley, CA: 800-423-0150 • Fax: 864-834-3518 • www.tsbrass.com



ITEM NO.	SALES NO.	DESCRIPTION
1	020515-60	Single Lever Handle (Brushed Nickel)
2	014173-45	Index, Temperature
3	021098-45	18-8 Stainless Steel Cone-Point Set Screw
4	020516-60	Trim Ring (Brushed Nickel)
5	020518-45	Ceramic Cartridge
6	B-0199-M21-V05	0.5 GPM Concealed Spray Device, M21.5 x 1
7	020674-45	M21.5 x 1 Red Cache Key
8	S020656-20	Washer, Stainless Steel
9	S020655-20	Lock Nut
10	019969-45	19" Flexible Supply Hose

Product Specifications:
LakeCrest Brushed Nickel Plated Single Hole Deck Mount Single Lever Faucet, Ceramic Cartridge, 0.5 GPM Concealed Vandal Resistant Non-Aerated Spray Device & 19" Flexible Stainless Steel Braided Supply Hoses

Product Compliance:
ASME A112.18.1 / CSA B125.1
NSF 61 - Section 9
NSF 372 (Low Lead Content)
ANSI A117.1 (ADA)