



**T&S BRASS AND BRONZE WORKS, INC.**  
 2 Saddleback Cove / P.O. Box 1088  
 Travelers Rest, SC 29690

Model No.  
**EB-2261-108H**

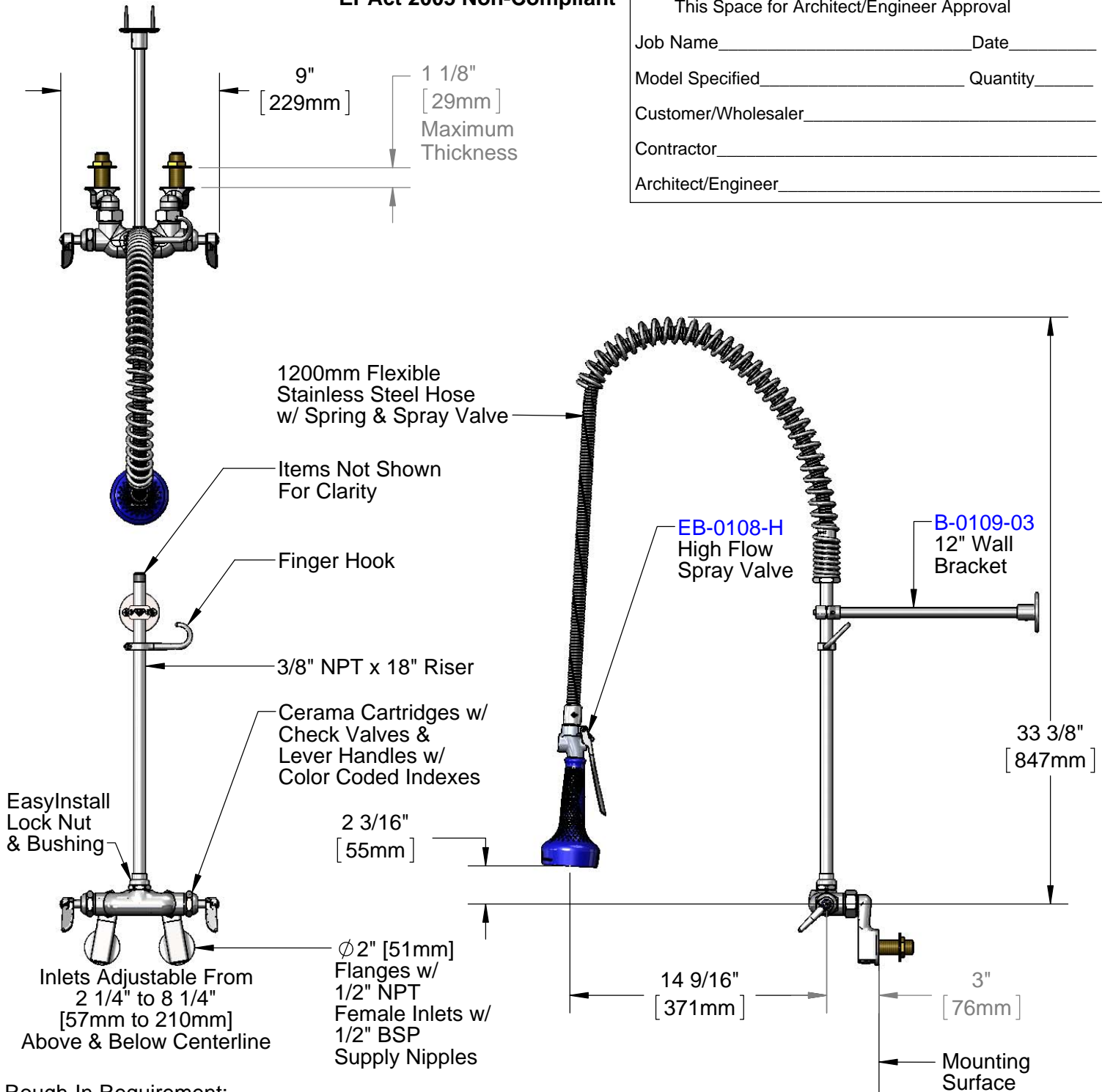
Item No.

Travelers Rest, SC: 800-476-4103 • Simi Valley, CA: 800-423-0150 • Fax: 864-834-3518 • www.tsbrass.com

**EPAct 2005 Non-Compliant**

This Space for Architect/Engineer Approval

Job Name \_\_\_\_\_ Date \_\_\_\_\_  
 Model Specified \_\_\_\_\_ Quantity \_\_\_\_\_  
 Customer/Wholesaler \_\_\_\_\_  
 Contractor \_\_\_\_\_  
 Architect/Engineer \_\_\_\_\_



Rough-In Requirement:  
 (2) ϕ1" [25mm] Mounting Holes

Product Specifications:  
 Pre-Rinse Unit: EasyInstall 8" Wall Mount Mixing Faucet, Cerama Cartridges w/ Check Valves, Lever Handles, 1200mm Flexible Stainless Steel Hose, High Flow Spray Valve, 12" Wall Bracket & 1/2" NPT Female Adjustable Arm Inlet Flanges w/ 1/2" BSP Male Supply Kit

Drawn <b>DHL</b>	Checked <b>JRM</b>	Approved <b>JHB</b>
Scale: <b>1:8</b>		Date: <b>01/28/14</b>

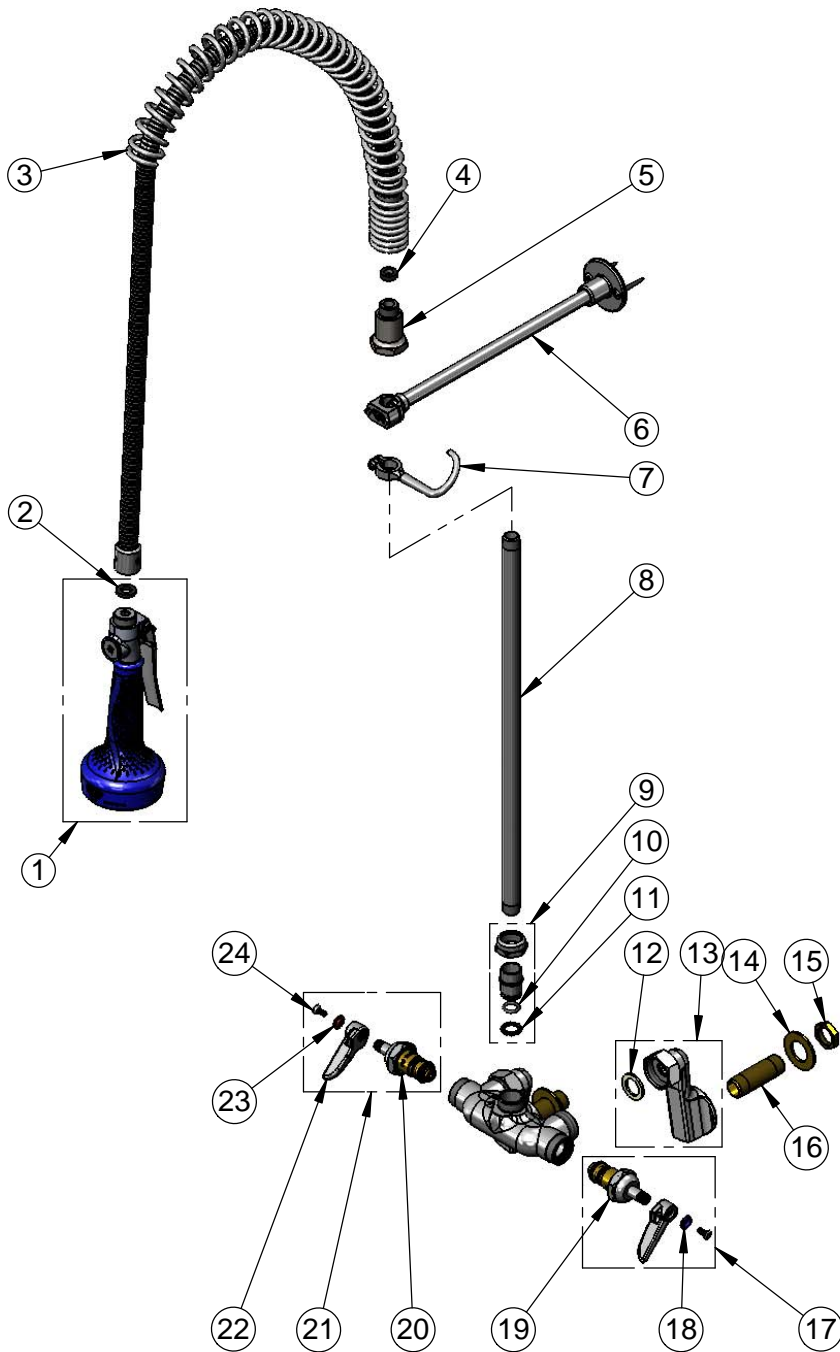


**T&S BRASS AND BRONZE WORKS, INC.**  
 2 Saddleback Cove / P.O. Box 1088  
 Travelers Rest, SC 29690

Model No.  
**EB-2261-108H**

Item No.

Travelers Rest, SC: 800-476-4103 • Simi Valley, CA: 800-423-0150 • Fax: 864-834-3518 • www.tsbrass.com



ITEM NO.	SALES NO.	DESCRIPTION
1	EB-0108-H	High Flow Spray Valve w/ Ergo-Grip
2	001014-45	Washer, B-0100 Hose Barrel
3	000888-45	EasyInstall Overhead Spring
4	010476-45	#27 Washer
5	000821-40	Spring Body
6	B-0109-03	12" Wall Bracket
7	004R	Finger Hook
8	000369-40	3/8" NPT x 18" Long Riser
9	EZ-K	EasyInstall Kit: Nut, Bushing, O-ring & Lock Washer
10	001065-45	O-Ring
11	014200-45	Star Washer, Anti-Rotation
12	001019-45	Coupling Nut Washer
13	00GG	1/2" NPT Female Adjustable Arm Inlet Flange
14	000999-45	Brass Lock Washer
15	002954-45	Shank Lock Nut
16	002814-45	Shank
17	012447-25	Cerama Cartridge, LTC w/ Check Valve, Handle, Index & Screw
18	001660-45	Blue Index-CW
19	012395-25	Cerama Cartridge, LTC w/ Check Valve
20	012394-25	Cerama Cartridge, RTC w/ Check Valve
21	012446-25	Cerama Cartridge, RTC w/ Check Valve, Handle, Index & Screw
22	001638-45	Lever Handle
23	001661-45	Red Index-HW
24	000922-45	Lever Handle Screw

**Product Specifications:**

Pre-Rinse Unit: EasyInstall 8" Wall Mount Mixing Faucet, Cerama Cartridges w/ Check Valves, Lever Handles, 1200mm Flexible Stainless Steel Hose, High Flow Spray Valve, 12" Wall Bracket & 1/2" NPT Female Adjustable Arm Inlet Flanges w/ 1/2" BSP Male Supply Kit

Drawn <b>DHL</b>	Checked <b>JRM</b>	Approved <b>JHB</b>
Scale: <b>NTS</b>		Date: <b>01/28/14</b>